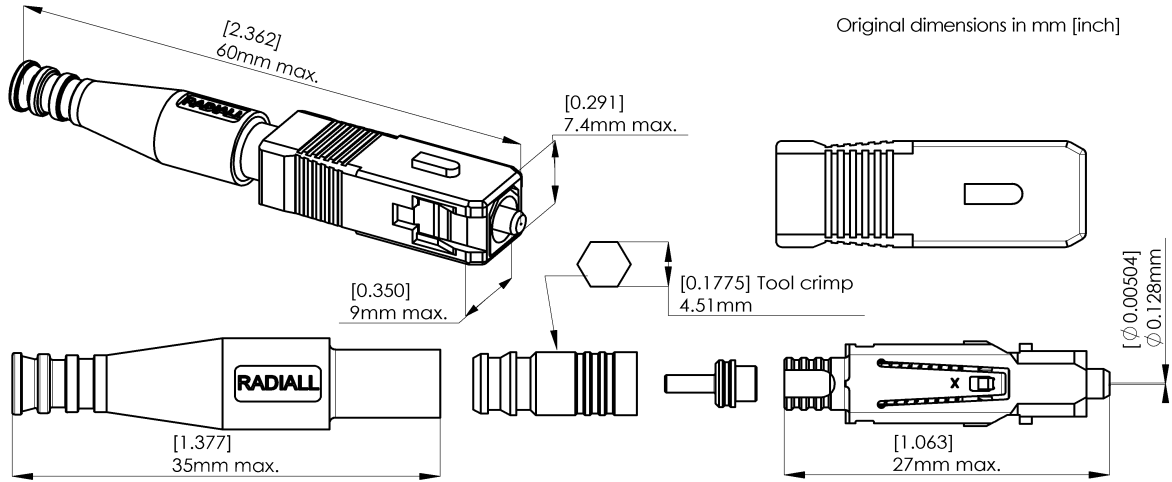


SC

MULTIMODE FIBER OPTIC CONNECTOR

Outer plug body and boot: color beige

Series	Packaging	Issue	Page
F728	1	31Dec.10	1/1



GENERAL

- Type** : IEC 61754-4 type SC
 Multimode, zirconia ceramic ferrule (20 mm pre-radius)
 Push-pull latching system, floating ferrule
 360° tunable (adjustable to 6 positions for optimization of random insertion loss)
- Ferrule size** : 128 µm
Fiber size : 50/125; 62.5/125µm, multimode
- Cable** : Ø 2mm, tight or semi loose structure
- Cabling proc.** : Refer to 503 08 400 (D 6121 oe), assembly instruction manual

CHARACTERISTICS (Dependant on fiber or cable construction)

- Optical** : Attenuation at 850 and 1310nm with led source, at EMD condition
- | | | |
|--------------------|---------------|--|
| | STD | (IEC 61300-2-40) |
| Mean | < 0.2 dB | (Attenuation plug mated with reference plug IEC 61300-3-4) |
| Standard deviation | 0.08 dB | |
| Max | < 0.75dB, 95% | (Attenuation of random mated connectors IEC 61300-3-34) |
| Mean | 0.25 dB | |
| Repeatability | 0.10 dB | (Maximum loss variation, IEC 61300-2-2) |
| Return loss | >20 dB | (IEC 61300-3-6) |
- Mechanical** : Mechanical endurance 500 matings
 Cable retention 100N
- Environmental** : Temperature range (storage/operating) -40 to +85 °C

CREATION					RADIALL® 101, rue P. Hoffmann 93116 ROSNY/BOIS FRANCE Tel : (33) 0149353535 Fax : (33) 0148546363
N°:					
PEN/EP: CAT.					
Name: PB					
Date: 11 Aug. 99	31 Dec. 10	Mise à jour performances optiques et mécaniques	SP	HD	
Appr.: LV	Issue	Revisions	Name	Appr.	