



## Helical Antenna SMA Fixing

### Features

- $\frac{1}{4}$  Wavelength Whip Antenna
- Rugged Flexible Plastic Finish.
- Available as BNC, SMA-Plug, M4 Screw Fixing
- Available as Straight or hinged
- Omni-Directional Design
- 50ohm Impedance
- Operating Temp  $-30$  to  $+60^{\circ}\text{C}$
- Insulation resistance  $500\text{M}\Omega$  @ $500\text{Vdc}$



### Applications

- General Low Power Radio
- M2M Applications
- Telemetry

### Description

This antenna provides operation at 433MHz and has a rugged plastic finish. Using this antenna will give optimum range and reliability to your application.

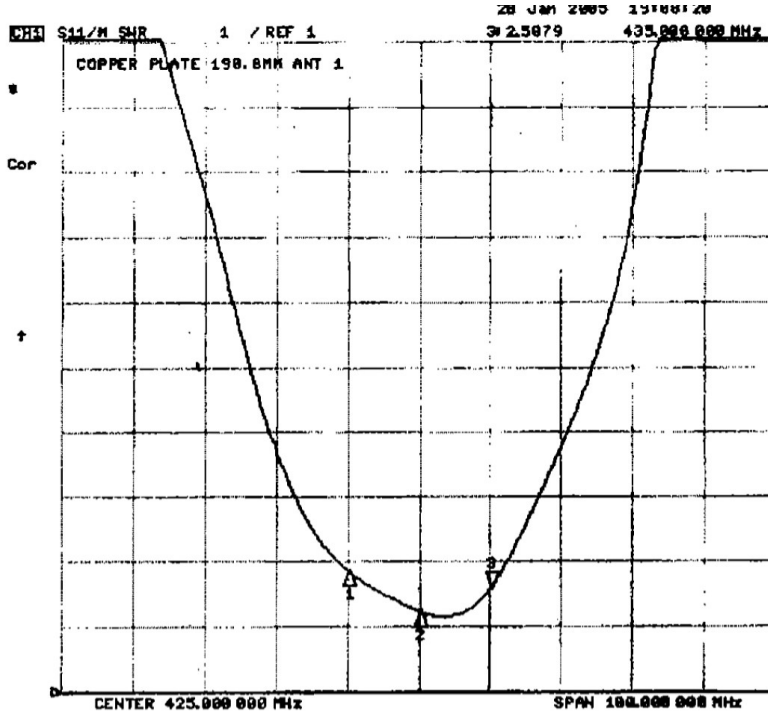
### Ordering Information

Part No	Description
PU-SMA-433	Helical Antenna SMA Fixing

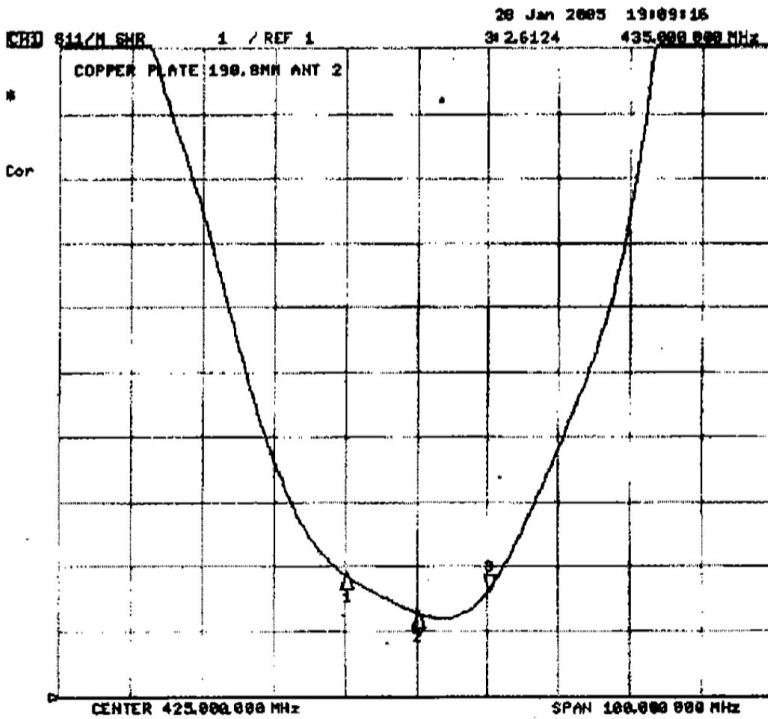
# PU-SMA-433



## Performance / VSWR Plot

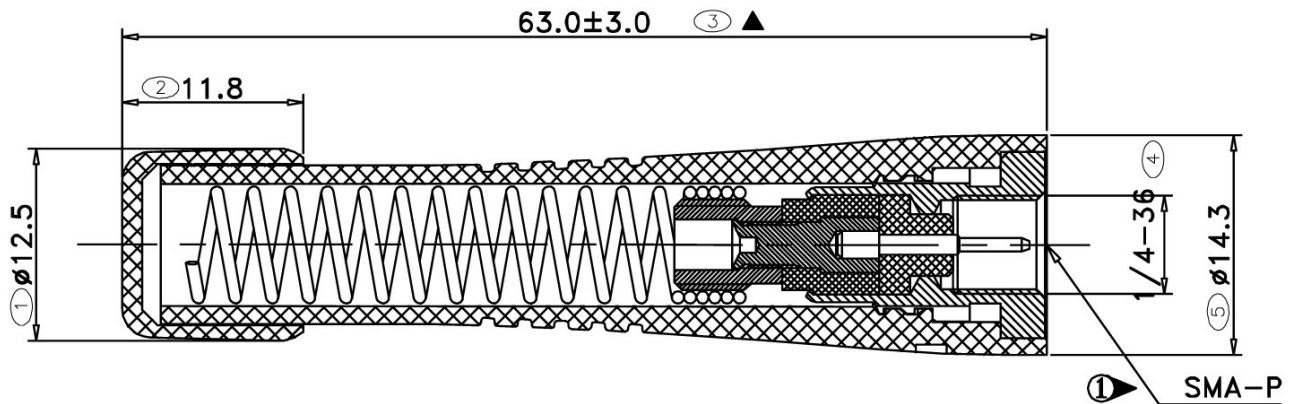


CH1 Markers  
1) 2.0684  
415.000 MHz  
2) 2.2283  
425.000 MHz



CH1 Markers  
1) 2.0609  
415.000 MHz  
2) 2.2609  
425.000 MHz

## Mechanical Dimensions



**RF Solutions Ltd. Recycling Notice**  
Meets the following EC Directives:

**DO NOT**  
Discard with normal waste, please recycle.

**ROHS Directive 2011/65/EU and amendment 2015/863/EU**  
Specifies certain limits for hazardous substances.

**WEEE Directive 2011/19/EU**  
Waste electrical & electronic equipment. This product must be disposed of through a licensed WEEE collection point. RF Solutions Ltd., fulfills its WEEE obligations by membership of an approved compliance scheme. Environment Agency producer registration number: **WEE/JB0104WV**.

**Waste Batteries and Accumulators Directive 2006/66/EC**

Where batteries are fitted, before recycling the product, the batteries must be removed and disposed of at a licensed collection point.

**Disclaimer:**

Whilst the information in this document is believed to be correct at the time of issue, RF Solutions Ltd does not accept any liability whatsoever for its accuracy, adequacy or completeness. No express or implied warranty or representation is given relating to the information contained in this document. RF Solutions Ltd reserves the right to make changes and improvements to the product(s) described herein without notice. Buyers and other users should determine for themselves the suitability of any such information or products for their own particular requirements or specification(s). RF Solutions Ltd shall not be liable for any loss or damage caused as a result of user's own determination of how to deploy or use RF Solutions Ltd's products. Use of RF Solutions Ltd products or components in life support and/or safety applications is not authorised except with express written approval. No licences are created, implicitly or otherwise, under any of RF Solutions Ltd's intellectual property rights. Liability for loss or damage resulting or caused by reliance on the information contained herein or from the use of the product (including liability resulting from negligence or where RF Solutions Ltd was aware of the possibility of such loss or damage arising) is excluded. This will not operate to limit or restrict QuasarUK Ltd's liability for death or personal injury resulting from its negligence.