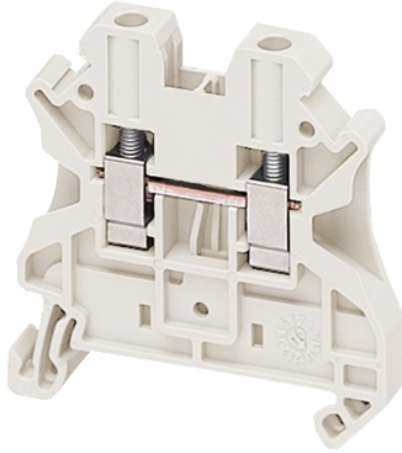


# NSYTRV42WH

Terminal Blocks, Linergy, feed through, 30A, 600V, screw termination, 2 points, 26AWG to 10AWG, white



## Main

Range	Linergy
Product name	Linergy TR
Product or Component Type	Terminal block
Device short name	TRV
Accessory / separate part category	Connection accessory
Terminal block type	Passthrough
Terminal block level	1
Mounting Mode	Clip-on
Nominal cross section	0.01 in <sup>2</sup> (4 mm <sup>2</sup> )
Length	1.88 in (47.7 mm)
Color	White
Quantity per Set	Set of 50

## Complementary

Width	0.24 in (6.2 mm)
Height	1.87 in (47.5 mm)
Connections - terminals	1 x screw terminal upstream M3) 1 x screw terminal downstream M3)
Number of connections	2
Connection position	Sideways
Number of measurement input	2
Cable cross section	0.00...0.01 In <sup>2</sup> (0.14...6 mm <sup>2</sup> ), solid with cable end 0.00...0.01 In <sup>2</sup> (0.2...4 mm <sup>2</sup> ), flexible with cable end 0.00...0.01 In <sup>2</sup> (0.2...6 mm <sup>2</sup> ), solid without cable end 0.00...0.01 in <sup>2</sup> (0.2...6 mm <sup>2</sup> ), flexible without cable end
Tightening torque	5.31...7.08 lbf.in (0.6...0.8 N.m)
Wire stripping length	0.35 in (9 mm)
Tool type	Connection screwdriver Disconnection screwdriver
[Ue] rated operational voltage	1000 V EN/IEC 60947-7-1 600 V CSA 690 V ATEX Exe II Ex II 2 GD 600 V cURus
Line Rated Current	32 A EN/IEC 60947-7-1 30 A CSA 30 A ATEX Exe II Ex II 2 GD 30 A cURus
Material	Polyamide 6/6 insulating case Copper alloy connector and screw Copper alloy commoning link Chromium-nickel steel spring
Dielectric loss	0.01 at 1 MHz IEC 60250 0.01 at 1 MHz VDE 0303-T4
Dielectric constant	3.7 at 1 MHz
Resistivity	10000 MΩ.M IEC 60093 10000 MΩ.m VDE 0303-T30
Surface resistance	1000 GΩ IEC 60093 1000 GΩ VDE 0303-T30

The information provided in this documentation contains general descriptions and/or technical characteristics of the performance of the products contained herein. This documentation is not intended as a substitute for and is not to be used for determining suitability or reliability of these products for specific user applications. It is the duty of any such user or integrator to perform the appropriate and complete risk analysis, evaluation and testing of the products with respect to the relevant specific application or use thereof. Neither Schneider Electric Industries SAS nor any of its affiliates or subsidiaries shall be responsible or liable for misuse of the information contained herein.

Creep resistance	500 CTI (> 400 kV) IEC 60093 500 CTI (> 400 kV) VDE 0303-T30
Flame retardance	V0 0.03 in (0.8 mm) UL 94
Net Weight	0.33 oz (9.4 g)
Range compatibility	Prisma G Prisma P Prisma PH Prisma Pack Spacial Kaedra Pragma TeSys
Product Compatibility	Spacial enclosures

## Environment

Product Certifications	LR EAC GL CURus ATEX DNV IEC-Ex CSA VDE
Dielectric strength	1000 V IEC 60243-1
Ambient air temperature for operation	-40...266 °F (-40...130 °C) IEC 60216-1 -40...266 °F (-40...130 °C) VDE 0304-T21

## Ordering and shipping details

Category	21715-IEC TERMINAL BLOCKS-NSY,AM1,DF6,GK1
Discount Schedule	CP5
GTIN	3606480531958
Nbr. of units in pkg.	1
Package weight(Lbs)	0.32 oz (9.0 g)
Returnability	Yes
Country of origin	CN

## Packing Units

Unit Type of Package 1	PCE
Package 1 Height	1.97 in (5 cm)
Package 1 width	2.76 in (7 cm)
Package 1 Length	9.84 in (25 cm)
Unit Type of Package 2	S03
Number of Units in Package 2	1150
Package 2 Weight	25.25 lb(US) (11.454 kg)
Package 2 Height	11.81 in (30 cm)
Package 2 width	11.81 in (30 cm)
Package 2 Length	15.75 in (40 cm)
Unit Type of Package 3	BB1
Number of Units in Package 3	50
Package 3 Weight	16.79 oz (476.0 g)
Package 3 Height	1.97 in (5 cm)
Package 3 width	2.76 in (7 cm)
Package 3 Length	9.84 in (25 cm)

## Offer Sustainability

Sustainable offer status	Green Premium product
California proposition 65	WARNING: This product can expose you to chemicals including: Lead and lead compounds, which is known to the State of California to cause cancer and birth defects or other reproductive harm. For more information go to <a href="http://www.P65Warnings.ca.gov">www.P65Warnings.ca.gov</a>
REACH Regulation	<a href="#">REACH Declaration</a>
EU RoHS Directive	Compliant <a href="#">EU RoHS Declaration</a>
Mercury free	Yes
RoHS exemption information	<a href="#">Yes</a>
China RoHS Regulation	<a href="#">China RoHS Declaration</a>
Environmental Disclosure	<a href="#">Product Environmental Profile</a>
WEEE	The product must be disposed on European Union markets following specific waste collection and never end up in rubbish bins.
Halogen content performance	Halogen free plastic parts product

## Contractual warranty

Warranty	18 months
----------	-----------