

DO NOT SCALE FROM THIS PRINT

- NOTES:  
 1.  $\text{\textcircled{C}}$  REPRESENTS A CRITICAL DIMENSION.  
 2. MAXIMUM BURR ALLOWANCE: 0.038[.0015]  
 3. MINIMUM PUSHOUT FORCE: 2.22N [.5 LB]  
 4. PARTS TO BE PACKAGED IN TRAYS.  
 5. BOW ALLOWED AT 0.075MM[.0030]/25.0MM[.98].  
 6. AS OF REV T SAMTEC WILL ONLY SUPPORT EXISTING BUSINESS WITHOUT -SD OR -LC OPTION SELECTED.

DESIGNED & DIMENSIONED IN MILLIMETERS

MPTC-XX-XX-XX-01-XX-X-RA-XX

\*POWER POSITIONS (PER END)  
 -01, -02, \*\*\*-03, \*\*\*-04

\*SIGNAL POSITIONS  
 -04: (4 X 1)  
 \*\*\*-08: (4 X 2)  
 \*\*\*-12: (4 X 3)  
 -16: (4 X 4)  
 \*\*\*-20: (4 X 5)  
 -24: (4 X 6)  
 -80: (4 X 20)

\* POWER POSITIONS (PER END)  
 \*\*\*-00, -01, -02

LEADSTYLE  
 -01

OPTION (SEE NOTE 6)  
 -SD: SCREW DOWN (SEE FIG 1, SHT 1)  
 -LC: LOCKING CLIP (SEE FIG 2, SHT 2)

RIGHT ANGLE

PLATING SPECIFICATION

-L: SEE TABLE 3  
 -T: SEE TABLE 3

TAIL LENGTH

-01: FOR 1.57[.062] THICK PCB (USE SUB-T-1M40-01-X)  
 -03: FOR 2.36[.093] THICK PCB (USE SUB-T-1M40-03-X)

\* SEE TABLE 2 FOR AVAILABLE COMBINATIONS  
 \*\*\* NOT RELEASED FOR PRODUCTION

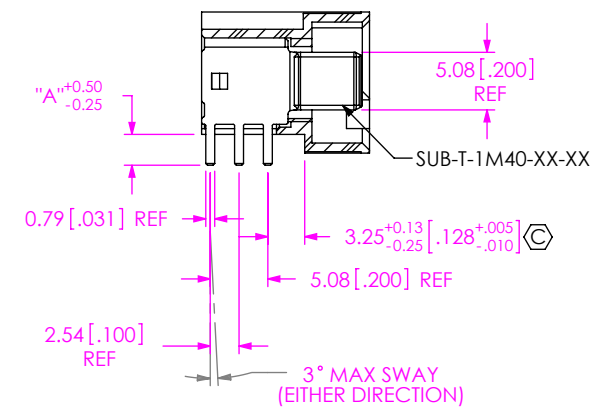
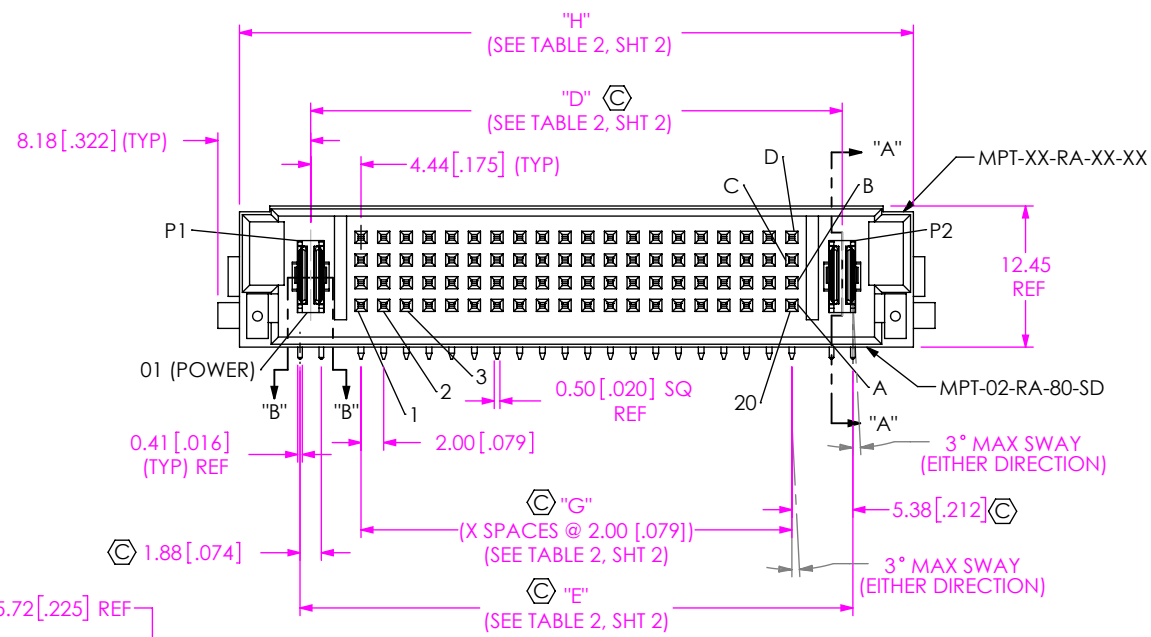
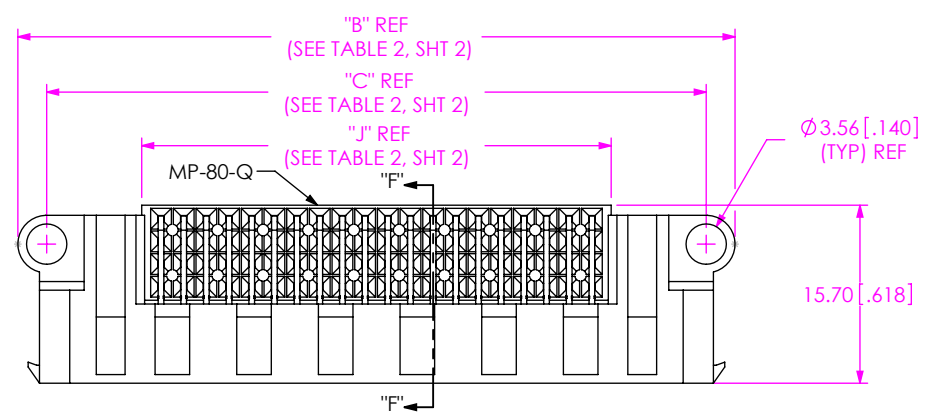


FIG 1  
 MPTC-01-80-01-XX-X-RA-SD SHOWN

UNLESS OTHERWISE SPECIFIED, DIMENSIONS ARE IN MILLIMETERS.  
 TOLERANCES ARE:  
 DECIMALS ANGLES  
 .X:  $\pm 0.3$  [0.1]  
 .XX:  $\pm 0.13$  [0.05]  
 .XXX:  $\pm 0.051$  [0.020]

PROPRIETARY NOTE  
 THIS DOCUMENT CONTAINS CONFIDENTIAL AND PROPRIETARY INFORMATION AND ALL DESIGN, MANUFACTURING, REPRODUCTION, USE, PATENT RIGHTS AND SALES RIGHTS ARE EXPRESSLY RESERVED BY SAMTEC, INC. THIS DOCUMENT SHALL NOT BE DISCLOSED, IN WHOLE OR PART, TO ANY UNAUTHORIZED PERSON OR ENTITY NOR REPRODUCED, TRANSFERRED OR INCORPORATED IN ANY OTHER PROJECT IN ANY MANNER WITHOUT THE EXPRESS WRITTEN CONSENT OF SAMTEC, INC.

**samtec**  
 520 PARK EAST BLVD, NEW ALBANY, IN 47150  
 PHONE: 812-944-6733 FAX: 812-948-5047  
 e-Mail info@SAMTEC.com code 55322

MATERIAL: DO NOT SCALE DRAWING  
 INSULATOR: LCP, UL 94 V0, COLOR: BLACK  
 TERMINAL: COPPER ALLOY  
 LOCKING CLIP: COPPER ALLOY

SHEET SCALE: 1.5:1

DESCRIPTION:  
 RIGHT ANGLE POWER TERMINAL

DWG. NO.  
 MPTC-XX-XX-XX-01-XX-X-RA-XX

BY: CLAY W 2/2/2007 SHEET 1 OF 4

TABLE 3

PLATING	POWER PIN CONTACT AREA	POWER PIN TAIL	SIGNAL PIN CONTACT AREA	SIGNAL PIN TAIL
-L	10 $\mu$ m GOLD	MATTE TIN	10 $\mu$ m GOLD	MATTE TIN
-T	MATTE TIN	MATTE TIN	10 $\mu$ m GOLD	MATTE TIN

TABLE 1								
PART NUMBER	BODY	SPACER BODY	POWER TERMINAL SUB-ASSEMBLY	SIGNAL TERMINAL				"A"
				TERMINAL 1	TERMINAL 2	TERMINAL 3	TERMINAL 4	
MPTC-XX-XX-XX-01-01-X-RA-XX	MPT-XX-RA-XX-XX	MP-XX-Q	SUB-T-1M40-01-X	T-1S68-01-L	T-1S68-02-L	T-1S68-03-L	T-1S68-04-L	2.72 [0.107]
MPTC-XX-XX-XX-01-03-X-RA-XX			SUB-T-1M40-03-X	T-1S68-03-L	T-1S68-03-L	T-1S68-11-L	T-1S68-11-L	3.51 [0.138]

TABLE 2									
PART NUMBER	BODY	"B"	"C"	"D"	"E"	"F"	"G"	"H"	"J"
MPTC-01-80-01-01-XX-X-RA-XX	MPT-02-RA-80-XX	63.25 [2.490]	58.17 [2.290]	46.88 [1.846]	48.77 [1.920]	54.26 [2.136]	38.00 [1.496]	59.44 [2.340]	41.40 [1.630]
MPTC-02-80-02-01-XX-X-RA-XX	MPT-04-RA-80-XX	73.25 [2.884]	68.17 [2.684]	56.88 [2.239]	58.77 [2.314]	64.26 [2.530]	38.00 [1.496]	69.44 [2.734]	41.40 [1.630]
MPTC-01-24-01-01-XX-X-RA-XX	MPT-02-RA-24-XX	35.25 [1.388]	30.17 [1.188]	18.88 [0.743]	20.77 [0.818]	26.26 [1.034]	10.00 [0.394]	31.44 [1.238]	13.40 [0.528]
MPTC-02-24-02-01-XX-X-RA-XX	MPT-04-RA-24-XX	45.25 [1.781]	40.17 [1.581]	28.88 [1.137]	30.77 [1.211]	36.26 [1.428]	10.00 [0.394]	41.44 [1.631]	13.40 [0.528]
MPTC-02-16-02-01-XX-X-RA-XX	MPT-04-RA-16-XX	41.25 [1.624]	36.17 [1.424]	24.88 [0.980]	26.77 [1.054]	32.26 [1.270]	6.00 [0.236]	37.44 [1.474]	9.40 [0.370]
MPTC-01-16-01-01-XX-X-RA-XX	MPT-02-RA-16-XX	31.25 [1.230]	26.17 [1.030]	14.88 [0.586]	16.77 [0.660]	22.26 [0.876]	6.00 [0.236]	27.44 [1.080]	9.40 [0.370]
***MPTC-01-08-01-01-XX-X-RA-XX	MPT-02-RA-08-XX	27.25 [1.073]	22.17 [0.873]	10.88 [0.428]	12.77 [0.503]	18.26 [0.719]	2.00 [0.079]	23.44 [0.923]	5.40 [0.213]
MPTC-01-04-01-01-XX-X-RA-XX	MPT-02-RA-04-XX	25.25 [0.994]	20.17 [0.794]	8.88 [0.350]	10.77 [0.424]	16.26 [0.640]	N/A	21.44 [0.844]	3.40 [0.134]
***MPTC-03-24-00-01-XX-X-RA-XX	MPT-03-RA-24-XX-PS	41.25 [1.624]	36.17 [1.424]	N/A	N/A	32.26 [1.270]	10.00 [0.394]	37.44 [1.474]	13.40 [0.528]
***MPTC-04-24-00-01-XX-X-RA-XX	MPT-04-RA-24-XX-PS	46.25 [1.821]	41.17 [1.621]	N/A	N/A	37.26 [1.467]	10.00 [0.394]	42.44 [1.671]	13.40 [0.528]
***MPTC-03-20-00-01-XX-X-RA-XX	MPT-03-RA-20-XX-PS	39.25 [1.545]	34.17 [1.345]	N/A	N/A	30.26 [1.191]	8.00 [0.315]	35.44 [1.395]	11.40 [0.449]
***MPTC-04-20-00-01-XX-X-RA-XX	MPT-04-RA-20-XX-PS	44.25 [1.742]	39.17 [1.542]	N/A	N/A	35.26 [1.388]	8.00 [0.315]	40.44 [1.592]	11.40 [0.449]
***MPTC-03-16-00-01-XX-X-RA-XX	MPT-03-RA-16-XX-PS	37.25 [1.467]	32.17 [1.267]	N/A	N/A	28.26 [1.113]	6.00 [0.236]	33.44 [1.317]	9.40 [0.370]
***MPTC-04-16-00-01-XX-X-RA-XX	MPT-04-RA-16-XX-PS	42.25 [1.663]	37.17 [1.463]	N/A	N/A	33.26 [1.309]	6.00 [0.236]	38.44 [1.513]	9.40 [0.370]
***MPTC-03-12-00-01-XX-X-RA-XX	MPT-03-RA-12-XX-PS	35.25 [1.388]	30.17 [1.188]	N/A	N/A	26.26 [1.034]	4.00 [0.157]	31.44 [1.238]	7.40 [0.291]
***MPTC-04-12-00-01-XX-X-RA-XX	MPT-04-RA-12-XX-PS	40.25 [1.585]	35.17 [1.385]	N/A	N/A	31.26 [1.231]	4.00 [0.157]	36.44 [1.435]	7.40 [0.291]

\*\*\* = NOT RELEASED

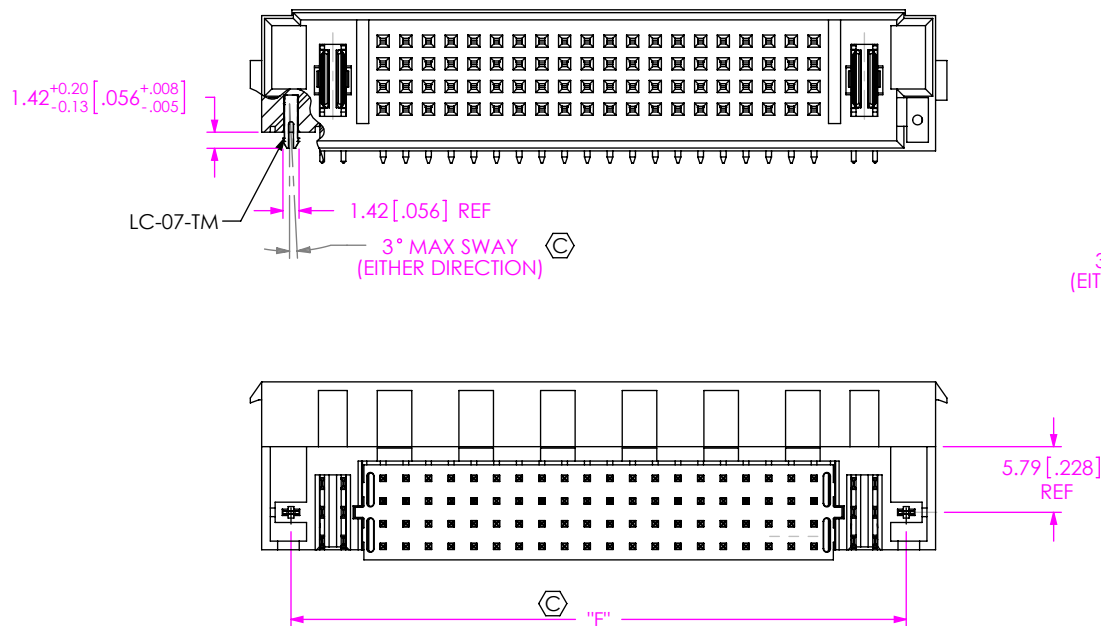
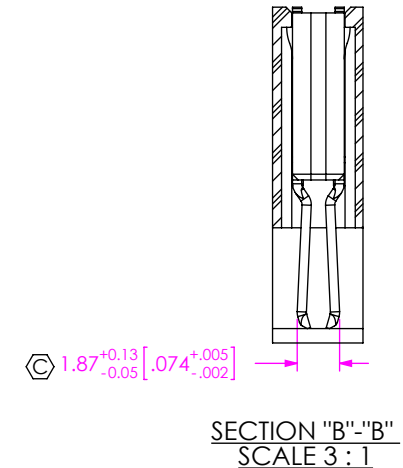
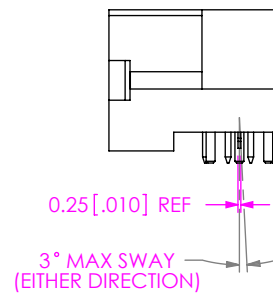


FIG 2  
MPTC-01-80-01-01-XX-X-RA-LC SHOWN  
(SAME AS FIG 1, UNLESS OTHERWISE STATED)

F:\DWG\MISC\MKTG\MPTC-XX-XX-XX-01-XX-X-RA-XX-MKT.SLDDRW



PROPRIETARY NOTE  
THIS DOCUMENT CONTAINS CONFIDENTIAL AND PROPRIETARY INFORMATION AND ALL DESIGN, MANUFACTURING, REPRODUCTION, USE, PATENT RIGHTS AND SALES RIGHTS ARE EXPRESSLY RESERVED BY SAMTEC, INC. THIS DOCUMENT SHALL NOT BE DISCLOSED, IN WHOLE OR PART, TO ANY UNAUTHORIZED PERSON OR ENTITY NOR REPRODUCED, TRANSFERRED OR INCORPORATED IN ANY OTHER PROJECT IN ANY MANNER WITHOUT THE EXPRESS WRITTEN CONSENT OF SAMTEC, INC.

DO NOT SCALE DRAWING  
SHEET SCALE: 1.5:1

**samtec**  
520 PARK EAST BLVD. NEW ALBANY, IN 47150  
PHONE: 812-944-6733 FAX: 812-948-5047  
e-Mail info@SAMTEC.com code 55322

DESCRIPTION:  
RIGHT ANGLE POWER TERMINAL

DWG. NO.  
MPTC-XX-XX-XX-01-XX-X-RA-XX

BY: CLAY W 2/2/2007 SHEET 2 OF 4

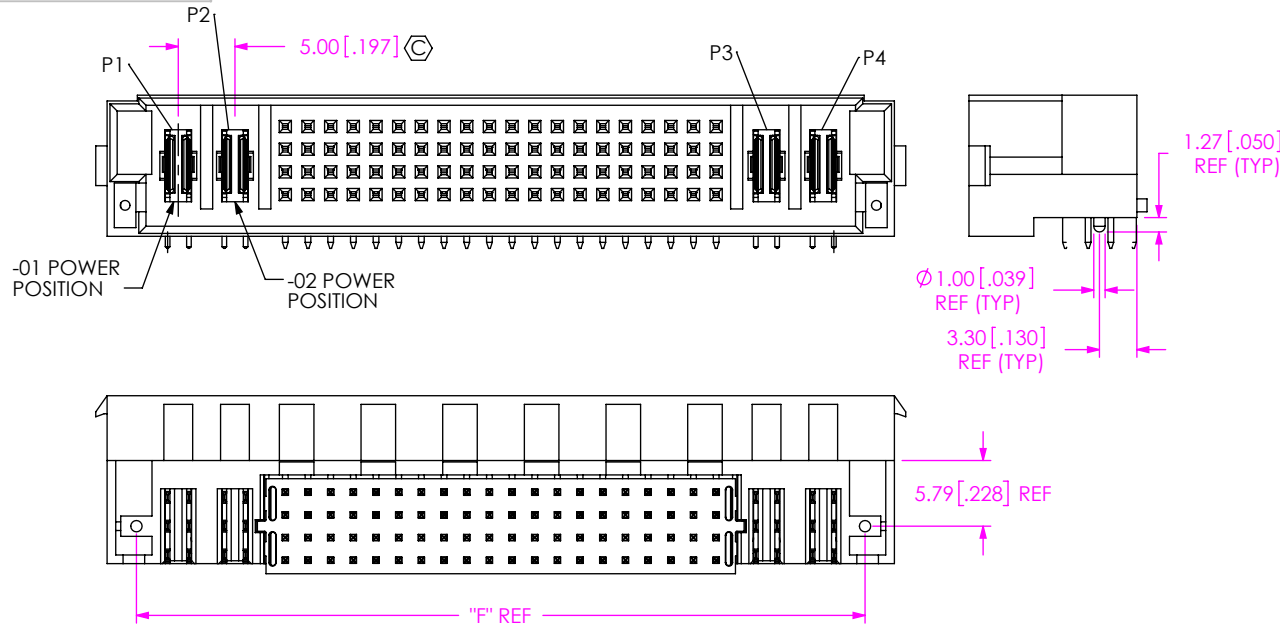
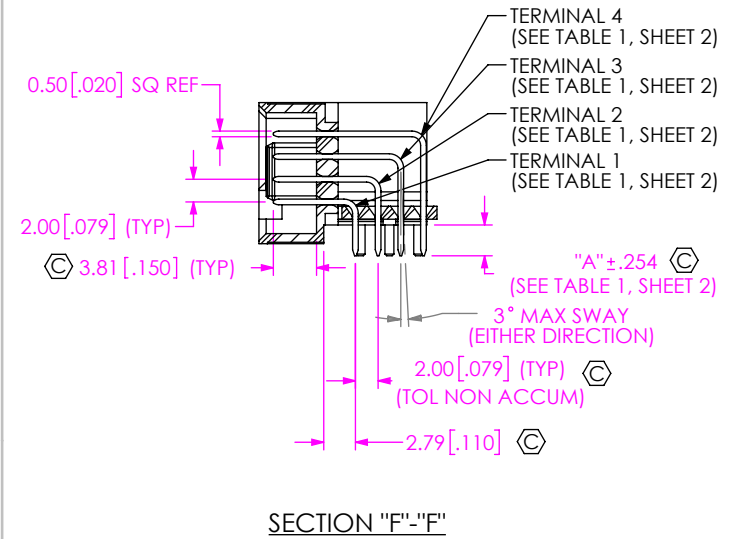


FIG 3  
MPTC-02-80-02-01-XX-X-RA SHOWN  
(SAME AS FIG 1, UNLESS OTHERWISE STATED)  
(SEE NOTE 6)



SECTION "F"-"F"

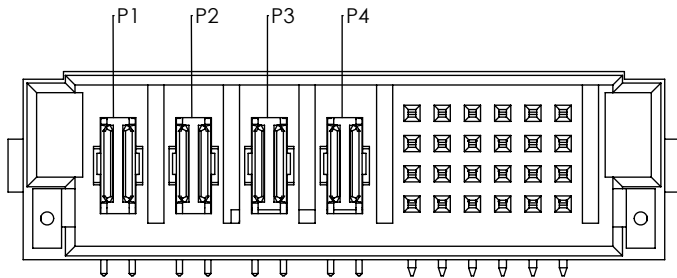


FIG 5  
\*\*\*MPTC-04-24-00-01-XX-X-RA-LC SHOWN  
(SAME AS FIG 2, UNLESS OTHERWISE STATED)  
\*\*\* NOT RELEASED

**PROPRIETARY NOTE**  
THIS DOCUMENT CONTAINS CONFIDENTIAL AND PROPRIETARY INFORMATION AND ALL DESIGN, MANUFACTURING, REPRODUCTION, USE, PATENT RIGHTS AND SALES RIGHTS ARE EXPRESSLY RESERVED BY SAMTEC, INC. THIS DOCUMENT SHALL NOT BE DISCLOSED, IN WHOLE OR PART, TO ANY UNAUTHORIZED PERSON OR ENTITY NOR REPRODUCED, TRANSFERRED OR INCORPORATED IN ANY OTHER PROJECT IN ANY MANNER WITHOUT THE EXPRESS WRITTEN CONSENT OF SAMTEC, INC.

DO NOT SCALE DRAWING

SHEET SCALE: 1.5:1

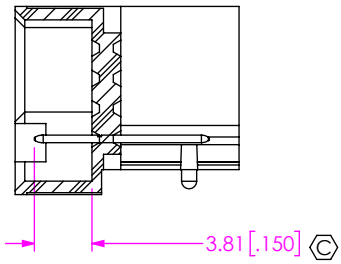


520 PARK EAST BLVD, NEW ALBANY, IN 47150  
PHONE: 812-944-6733 FAX: 812-948-5047  
e-Mail info@SAMTEC.com code 55322

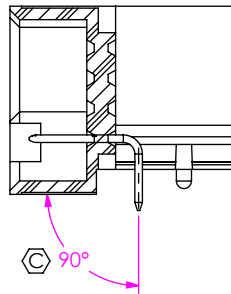
DESCRIPTION: RIGHT ANGLE POWER TERMINAL

DWG. NO. MPTC-XX-XX-XX-01-XX-X-RA-XX

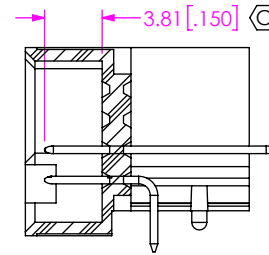
BY: CLAY W 2/2/2007 SHEET 3 OF 4



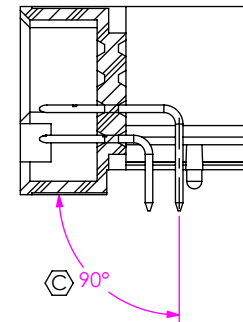
**IN-PROCESS 1**  
FILL T-1S68-XX-X ROW 2



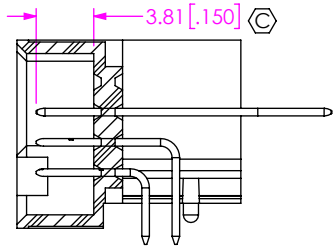
**IN-PROCESS 2**  
BEND ROW 1



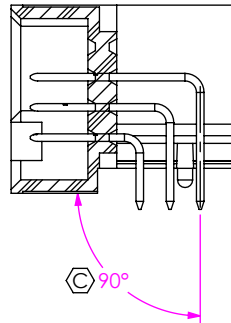
**IN-PROCESS 3**  
FILL T-1S68-XX-X ROW 2



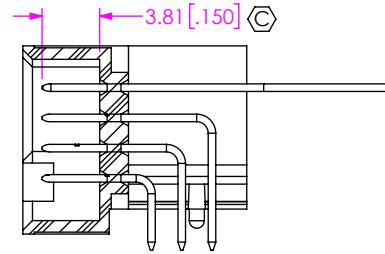
**IN-PROCESS 4**  
BEND ROW 2



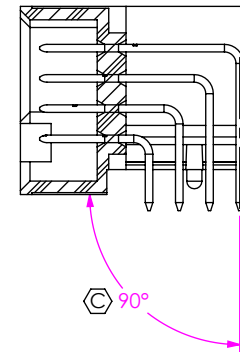
**IN-PROCESS 5**  
FILL T-1S68-XX-X ROW 3



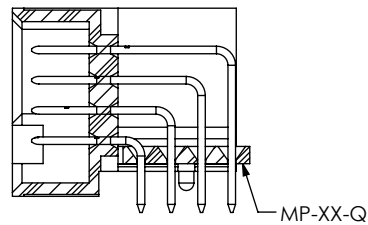
**IN-PROCESS 6**  
BEND ROW 3



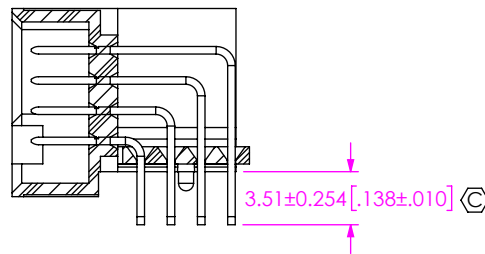
**IN-PROCESS 7**  
FILL T-1S68-XX-X ROW 4



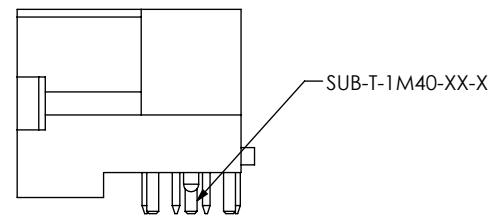
**IN-PROCESS 8**  
BEND ROW 4



**IN-PROCESS 9**  
ADD MP-XX-Q



**IN-PROCESS 10**  
SHEAR  
(FOR -03 TAIL LENGTH ONLY)



**IN-PROCESS 11**  
FILL SUB-T-1M40-XX-X

**PROPRIETARY NOTE**  
THIS DOCUMENT CONTAINS CONFIDENTIAL AND PROPRIETARY INFORMATION AND ALL DESIGN, MANUFACTURING, REPRODUCTION, USE, PATENT RIGHTS AND SALES RIGHTS ARE EXPRESSLY RESERVED BY SAMTEC, INC. THIS DOCUMENT SHALL NOT BE DISCLOSED, IN WHOLE OR PART, TO ANY UNAUTHORIZED PERSON OR ENTITY NOR REPRODUCED, TRANSFERRED OR INCORPORATED IN ANY OTHER PROJECT IN ANY MANNER WITHOUT THE EXPRESS WRITTEN CONSENT OF SAMTEC, INC.

DO NOT SCALE DRAWING

SHEET SCALE: 1.5:1

**samtec**

520 PARK EAST BLVD, NEW ALBANY, IN 47150  
PHONE: 812-944-6733 FAX: 812-948-5047  
e-Mail info@SAMTEC.com code 55322

DESCRIPTION:  
RIGHT ANGLE POWER TERMINAL

DWG. NO.  
MPTC-XX-XX-XX-01-XX-X-RA-XX

BY: CLAY W 2/2/2007 SHEET 4 OF 4