
Bluetooth® 4.1 Stereo Audio Module

Features:

- Complete, Fully Certified, Embedded 2.4 GHz Bluetooth® Version 4.1 Module
- Bluetooth Classic (BDR/EDR)
- Bluetooth SIG Certified
- Onboard embedded Bluetooth Stack
- Transparent UART mode for seamless serial data over UART interface
- Easy to configure with Windows GUI or direct by MCU
- Compact surface mount module: 29 x 15 x 2.5 mm³
- Castellated surface mount pads for easy and reliable host PCB mounting
- Environmentally friendly, RoHS compliant
- Perfect for Portable Battery Operated Devices
- Internal Battery Regulator Circuitry
- Worldwide regulatory certifications
- Audio-In / Out
- BM23 support digital audio I²S format.
- BM20 support analog audio output.

Operational:

- Operating voltage: 3.0V to 4.2V
- Temperature range: -20C to 70°C
- Simple, UART interface
- Integrated crystal, internal voltage regulator, and matching circuitry
- Multiple I/O pins for control and status

RF/Analog:

- Frequency: 2.402 to 2.480 GHz
- Receive Sensitivity: -91 dBm ($\pi/4$ DQPSK)
- Power Output: class 2 / +4dBm max.
- Connection Distance: >10m (free space and no interference)

Audio processor

- Support 64 kb/s A-Law or μ -Law PCM format, or CVSD (Continuous Variable Slope Delta Modulation) for SCO channel operation.
- Noise suppression
- Echo suppression
- SBC and optional AAC decoding
- Packet loss concealment

- Build-in four languages (Chinese/ English/ Spanish/ French) voice prompts and 20 events for each one (This function can be set up in "IS20XXS_UI" tool.)
- Support SCMS-T

Audio Codec

- 20 bit DAC and 16 bit ADC codec
- 98dB SNR DAC playback

Peripherals

- Built-in Lithium-ion battery charger (up to 350mA)
- Integrate 3V, 1.8V configurable switching regulator and LDO
- Built-in ADC for battery monitor and voltage sense.
- A line-in port for external audio input
- Two LED drivers

Flexible HCI interface

- High speed HCI-UART (Universal Asynchronous Receiver Transmitter) interface (up to 921600bps)

MAC/Baseband/Higher Layer:

- Secure AES128 encryption
- Bluetooth profiles
 - HFP v1.6
 - HSP v1.1
 - A2DP v1.2
 - AVRCP v1.5
 - SPP v1.0
 - PBAP v1.0

Antenna:

- Printed Antenna

Compliance:

- Bluetooth SIG QDID
- Module certified for the United States (FCC) and Canada (IC), Korea (LCC), Taiwan (NCC), Japan (MIC) and China(SRRC)

Figure 1:



General Description:

Stereo module is a fully-certified Bluetooth® Version 4.1 (BDR/EDR) module for designers who want to add Bluetooth® wireless audio and voice applications to their products.

This Bluetooth SIG certified module provides a complete wireless solution with Bluetooth stack, integrated antenna, and worldwide radio certifications in a compact surface mount package, 29x15x2.5 mm³.

This stereo module built-in Li-Ion charger and BM23 contain a digital audio interface. It supports HSP, HFP, SPP, A2DP, and AVRCP profiles. Both AAC and SBC codecs are supported for A2DP. Note that the customer must connect their own external analog CODEC/DSP/amplifier and MCU for audio output.

Applications:

- Bluetooth sound bar
- Bluetooth stereo speaker phone

Table of Contents

| | |
|--|----|
| 1. DEVICE OVERVIEW | 6 |
| 2. APPLICATION INFORMATION..... | 12 |
| 3. ELECTRICAL CHARACTERISTICS..... | 20 |
| 4. PRINTED ANTENNA INFORMATION..... | 25 |
| 4.1. MODULE RADIATION PATTERN..... | 25 |
| 4.2. MODULE PLACEMENT RULE | 26 |
| 5. REFERENCE CIRCUIT | 27 |
| 5.1. BM20 REFERENCE CIRCUIT | 27 |
| 5.2. BM23 REFERENCE CIRCUIT | 28 |
| 6. MODULE OUTLINE AND REFLOW PROFILE | 29 |
| 7. PACKAGING AND STORAGE INFORMATION | 34 |
| APPENDIX A: CERTIFICATION NOTICES | 36 |
| A.1 REGULATORY APPROVAL | 36 |
| A.2 United States..... | 36 |
| A.2.1 LABELING AND USER INFORMATION REQUIREMENTS | 37 |
| A.2.2 RF EXPOSURE..... | 38 |
| A.2.3 HELPFUL WEB SITES..... | 38 |
| A.3 Canada..... | 39 |
| A.3.1 LABELING AND USER INFORMATION REQUIREMENTS | 39 |
| A.3.2 RF EXPOSURE..... | 40 |
| A.3.3 WEB SITES | 40 |
| A.4 Europe..... | 40 |
| A.4.1 LABELING AND USER INFORMATION REQUIREMENTS | 41 |
| A.4.2 ANTENNA REQUIREMENTS | 41 |
| A.4.3 HELPFUL WEB SITES | 42 |
| A.5 Japan..... | 43 |
| A.5.1 LABELING AND USER INFORMATION REQUIREMENTS | 43 |
| A.5.2 HELPFUL WEB SITES | 44 |
| A.6 Korea | 44 |
| A.6.1 LABELING AND USER INFORMATION REQUIREMENTS | 44 |
| A.6.2 HELPFUL WEB SITES | 44 |
| A.7 Taiwan..... | 45 |
| A.7.1 LABELING AND USER INFORMATION REQUIREMENTS | 45 |
| A.7.2 HELPFUL WEB SITES | 45 |

| | |
|--|----|
| A.8 China | 46 |
| A.8.1 LABELING AND USER INFORMATION REQUIREMENTS | 46 |
| A.9 Other Regulatory Jurisdictions | 46 |

TO OUR VALUED CUSTOMERS

It is our intention to provide our valued customers with the best documentation possible to ensure successful use of your Microchip products. To this end, we will continue to improve our publications to better suit your needs. Our publications will be refined and enhanced as new volumes and updates are introduced.

If you have any questions or comments regarding this publication, please contact the Marketing Communications Department via E-mail at docerrors@microchip.com. We welcome your feedback.

Most Current Data Sheet

To obtain the most up-to-date version of this data sheet, please register at our Worldwide Web site at:

<http://www.microchip.com>

You can determine the version of a data sheet by examining its literature number found on the bottom outside corner of any page. The last character of the literature number is the version number, (e.g., DS3000000A is version A of document DS3000000).

Errata

An errata sheet, describing minor operational differences from the data sheet and recommended workarounds, may exist for current devices. As device/documentation issues become known to us, we will publish an errata sheet. The errata will specify the revision of silicon and revision of document to which it applies.

To determine if an errata sheet exists for a particular device, please check with one of the following:

- Microchip's Worldwide Web site; <http://www.microchip.com>
- Your local Microchip sales office (see last page)

When contacting a sales office, please specify which device, revision of silicon and data sheet (include literature number) you are using.

Customer Notification System

Register on our web site at www.microchip.com to receive the most current information on all of our products.

Abbreviations List:

HFP: Hands-free Profile

AVRCP: Audio Video Remote Control Profile

A2DP: Advanced Audio Distribution Profile

PBAP: Phone Book Access Profile

HSP: Headset Profile

SPP: Serial Port Profile

1. DEVICE OVERVIEW

The stereo module series include BM20 and BM23. The chip integrates Bluetooth 4.1 radio transceiver, PMU and DSP. Figure 1-1 and 1-2 shows the application block diagram.

FIGURE 1-1: BM20 Typical Application

The following depicts an example of BM20 module operate as an independent system or connected to an MCU.

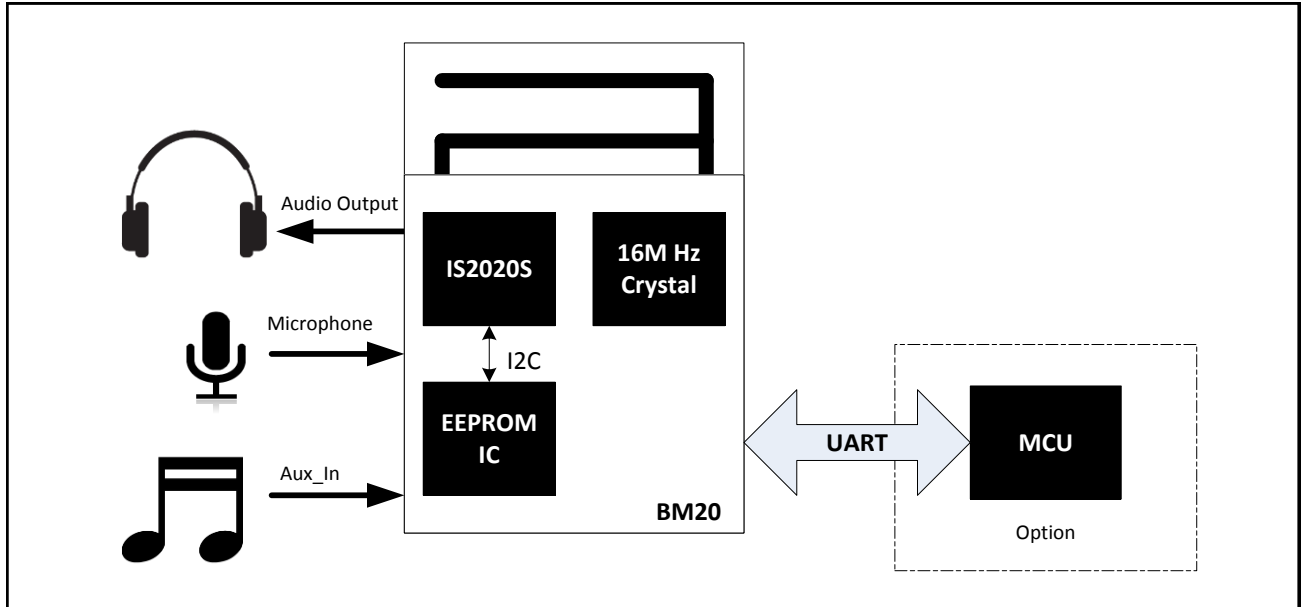
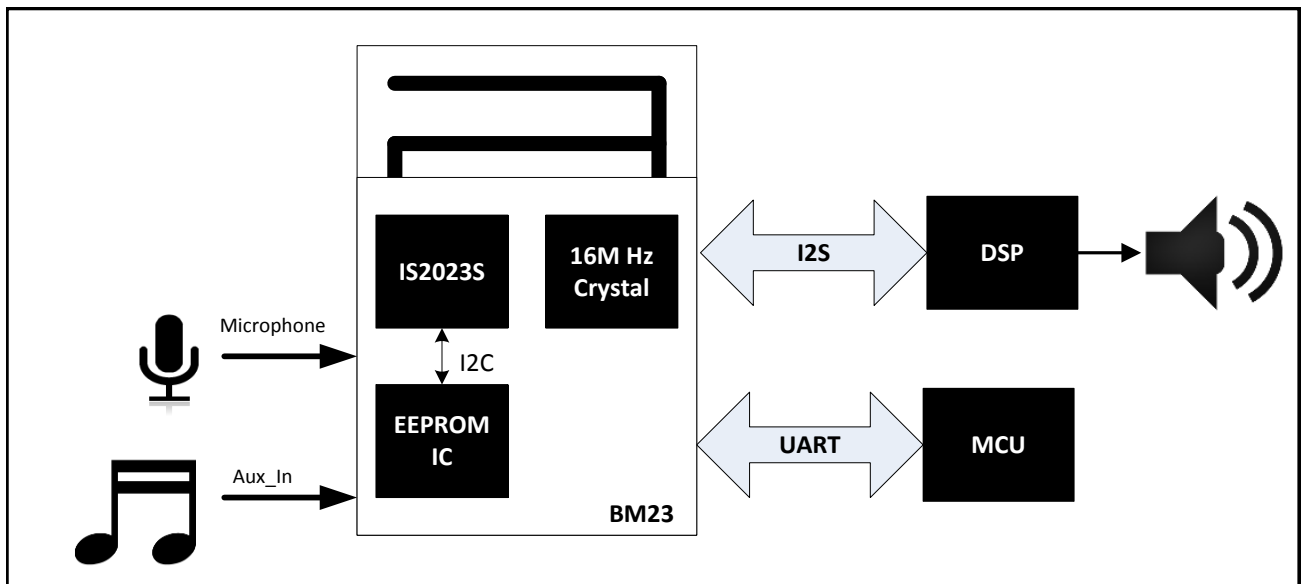


FIGURE 1-2: BM23 Typical Application

The following depicts an example of BM23 module connected to an MCU, external DSP/CODEC.



1.1. INTERFACE DESCRIPTION

BM20 pin diagram is shown in Figure 1-3. The pin descriptions are shown in Table 1-1

FIGURE 1-3: BM20 PIN DIAGRAM

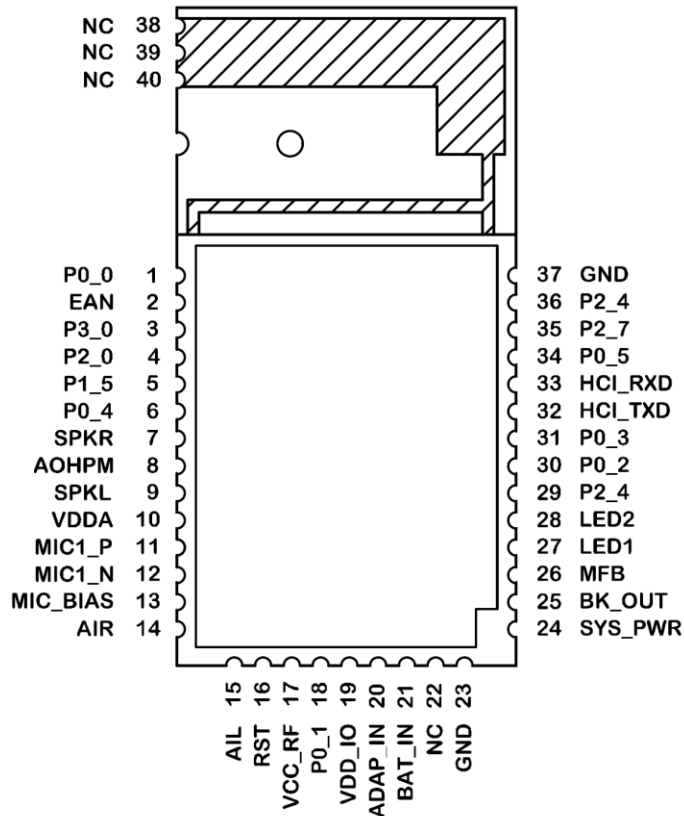


TABLE 1-1: BM20 PIN DESCRIPTION

| Pin No. | Pin type | Name | Description |
|---------|----------|-------|---|
| 1 | I/O | P0_0 | IO pin, default pull-high input (Note 1) 1. Slide Switch Detector, active low. 2. UART TX_IND, active low. |
| 2 | I | EAN | Embedded ROM/External Flash enable H: Embedded; L: External Flash |
| 3 | I | P3_0 | IO pin, default pull-high input (Note 1) Line-in Detector (default), active low. |
| 4 | I | P2_0 | IO pin, default pull-high input System Configuration, H: Application L: Baseband(IBDK Mode) |
| 5 | I/O | P1_5 | IO pin, default pull-high input (Note 1) 1. NFC detection pin, active low. 2. Out_Ind_0 3. Slide Switch Detector, active low. 4. Buzzer Signal Output |
| 6 | I/O | P0_4 | IO pin, default pull-high input. (Note 1) 1. NFC detection pin, active low. 2. Out_Ind_0 |
| 7 | O | SPKR | R-channel analog headphone output |
| 8 | O | AOHPM | Headphone common mode output/sense input. |

Stereo Module

| Pin No. | Pin type | Name | Description |
|---------|----------|----------|---|
| 9 | O | SPKL | L-channel analog headphone output |
| 10 | P | VDDA | Positive power supply/reference voltage for CODEC, no need to add power to this pin. |
| 11 | I | MIC1_P | Mic 1 mono differential analog positive input |
| 12 | I | MIC1_N | Mic 1 mono differential analog negative input |
| 13 | P | MIC_BIAS | Electric microphone biasing voltage |
| 14 | I | AIR | R-channel single-ended analog inputs |
| 15 | I | AIL | L-channel single-ended analog inputs |
| 16 | I | RST | System Reset Pin, Low: reset |
| 17 | P | VCC_RF | 1.28V RF LDO output, no need to add power to this pin. |
| 18 | I/O | P0_1 | IO pin, default pull-high input (Note 1) 1. FWD key when class 2 RF (default), active low. 2. Class1 TX Control signal of external RF T/R switch, active high. |
| 19 | P | VDD_IO | Power output , no need to add power to this pin |
| 20 | P | ADAP_IN | 5V Power adaptor input |
| 21 | P | BAT_IN | 3.0V~4.2V Li-Ion battery input |
| 22 | - | NC | No Connection |
| 23 | P | GND | Ground Pin |
| 24 | P | SYS_PWR | System Power Output BAT mode: 3.0~4.2V Adapter mode: 4.0V |
| 25 | P | BK_OUT | 1.8V buck output, no need to add power to this pin |
| 26 | I | MFB | 1. Power key when in off mode 2. UART_RX_IND: MCU use to wakeup BT (Note 1) |
| 27 | I | LED1 | LED Driver 1 |
| 28 | I | LED2 | LED Driver 2 |
| 29 | I | P2_4 | IO pin, default pull-high input System Configuration, L: Boot Mode with P2_0 low combination |
| 30 | I | P0_2 | IO pin, default pull-high input (Note 1) Play/Pause key (default), active low. |
| 31 | I/O | P0_3 | IO pin, default pull-high input (Note 1) 1. REV key (default), active low. 2. Buzzer Signal Output 3. Out_Ind_1 4. Class1 RX Control signal of external RF T/R switch, active high. |
| 32 | O | HCI_TXD | HCI-UART TX data |
| 33 | I | HCI_RXD | HCI-UART RX data |
| 34 | I | P0_5 | IO pin, default pull-high input (Note 1) Volume down (default), active low. |
| 35 | I | P2_7 | IO pin, default pull-high input (Note 1) Volume up key (default), active low. |

Stereo Module

| Pin No. | Pin type | Name | Description |
|---------|----------|------|--|
| 36 | I | P2_4 | IO pin, default pull-high input System Configuration, L: Boot Mode with P2_0 low combination |
| 37 | P | GND | Ground Pin |
| 38 | - | NC | No Connection |
| 39 | - | NC | No Connection |
| 40 | - | NC | No Connection |

- * I: signal input pin
- * O: signal output pin
- * I/O: signal input/output pin
- * P: power pin

Note 1: These button or functions can be setup by “IS20XXS_UI” tool.

Stereo Module

BM23 pin diagram is shown in Figure 1-4. The pin descriptions are shown in Table 1-2

FIGURE 1-4: BM23 PIN DIAGRAM

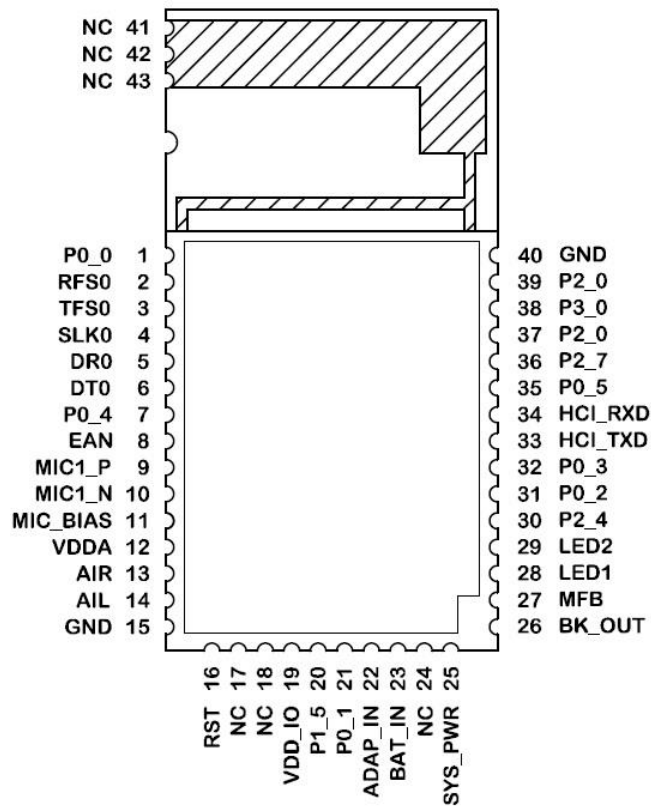


TABLE 1-2: BM23 PIN DESCRIPTION

| Pin No. | Pin Type | Name | Description |
|---------|----------|----------|---|
| 1 | I/O | PO_0 | IO pin, default pull-high input (Note 1) UART TX_IND |
| 2 | I/O | RFS0 | I ² S interface: DAC Left/Right Clock |
| 3 | I/O | TFS0 | I ² S interface: ADC Left/Right Clock |
| 4 | I/O | SLK0 | I ² S interface: Bit Clock |
| 5 | I | DR0 | I ² S interface: DAC Digital Left/Right Data |
| 6 | O | DT0 | I ² S interface: ADC Digital Left/Right Data |
| 7 | I/O | PO_4 | IO pin, default pull-high input |
| 8 | I | EAN | Embedded ROM/External Flash enable High: ROM mode; Low: External Flash mode |
| 9 | I | MIC1_P | Mic 1 mono differential analog positive input |
| 10 | I | MIC1_N | Mic 1 mono differential analog negative input |
| 11 | P | MIC_BIAS | Power output, microphone biasing voltage |
| 12 | P | VDDA | Power output, reserve for external cap to fine tune audio frequency |
| 13 | I | AIR | Stereo analog line in, R-channel |
| 14 | I | AIL | Stereo analog line in, L-channel |

Stereo Module

| Pin No. | I/O | Name | Description |
|---------|-----|---------|--|
| 15 | P | GND | Ground |
| 16 | I | RST_N | System Reset Pin, active when rising edge. |
| 17 | -- | NC | -- |
| 18 | -- | NC | -- |
| 19 | P | VDDIO | Power output, VDDIO pin, no need to add power to this pin |
| 20 | I/O | P1_5 | IO pin, default pull-high input |
| 21 | I/O | P0_1 | IO pin, default pull-high input |
| 22 | P | ADAP_IN | 5V power adaptor input |
| 23 | P | BAT_IN | 3.3~4.2V Li-ion battery input |
| 24 | -- | NC | -- |
| 25 | P | SYS_PWR | System Power Output BAT mode: 3.3~4.2V Adapter mode: 4.0V |
| 26 | P | BK_OUT | Power output, 1v8 pin, no need to add power to this pin |
| 27 | P | MFB | 1. Power key when in off mode 2. UART_RX_IND: MCU use to wakeup BT |
| 28 | P | LED1 | LED Driver 1, 4mA max |
| 29 | P | LED2 | LED Driver 2, 4mA max |
| 30 | I | P2_4 | IO pin, default pull-high input System Configuration, L: Boot Mode with P2_0 low combination |
| 31 | I/O | P0_2 | IO pin, default pull-high input |
| 32 | I/O | P0_3 | IO pin, default pull-high input |
| 33 | O | HCI_TXD | HCI-UART TX data |
| 34 | I | HCI_RXD | HCI-UART RX data |
| 35 | I/O | P0_5 | IO pin, default pull-high input |
| 36 | I/O | P2_7 | IO pin, default pull-high input |
| 37 | I/O | P2_0 | IO pin, default pull-high input |
| 38 | I/O | P3_0 | IO pin, default pull-high input |
| 39 | I | P2_0 | IO pin, default pull-high input System Configuration, H: Application L: Baseband(IBDK Mode) |
| 40 | P | GND | Ground. |
| 41 | -- | NC | -- |
| 42 | -- | NC | -- |
| 43 | -- | NC | -- |

- * I: signal input pin
- * O: signal output pin
- * I/O: signal input/output pin
- * P: power pin

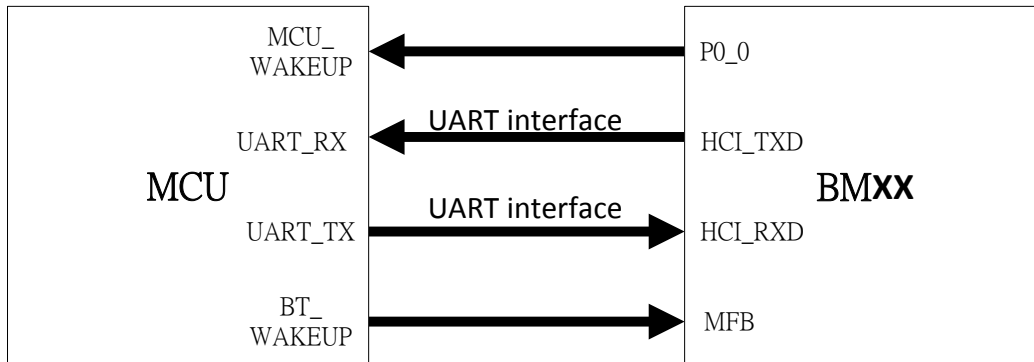
Note 1: These button or functions can be setup by "IS20XXS_UI" tool.

2. APPLICATION INFORMATION

2.1. OPERATION WITH EXTERNAL MCU

Stereo module support UART command set to make an external MCU to control module. Here is the connection interface between BMXX and MCU.

FIGURE 2-1: INTERFACE BETWEEN MCU AND BMXX MODULE



MCU can control module by UART interface and wakeup module by PWR pin. Stereo module provide wakeup MCU function by connect to P0_0 pin of module.

“UART Command Set” document provide all function which module support and UI tool will help you to set up your system support UART command.

For more detail description, please reference “UART_CommandSet_v154” document and “IS20XXS_UI” tool.

Here are some suggestions of UART control signal timing sequence:

FIGURE 2-2: POWER ON/OFF SEQUENCE

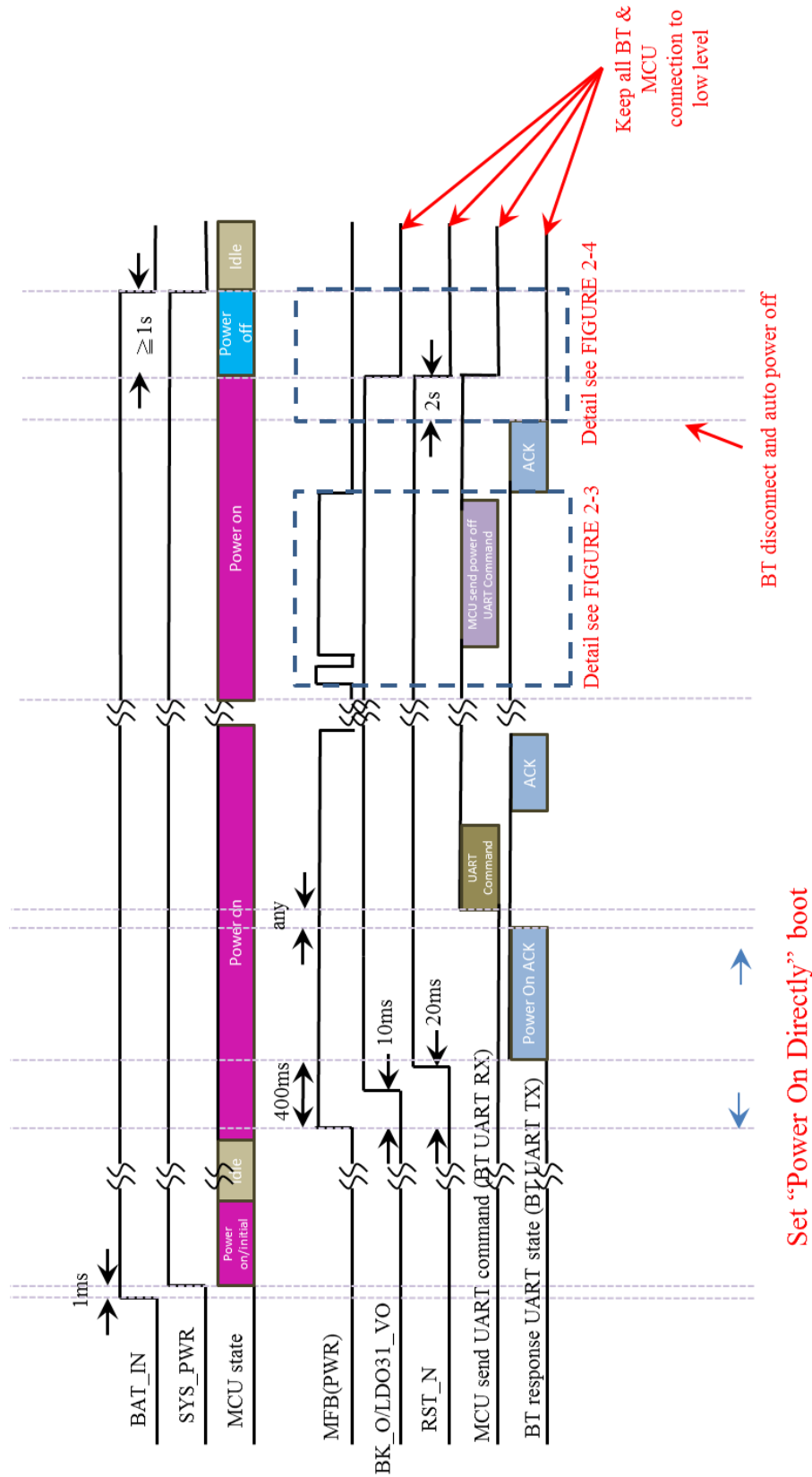


FIGURE 2-3: TIMING SEQUENCE OF RX INDICATION AFTER POWER ON

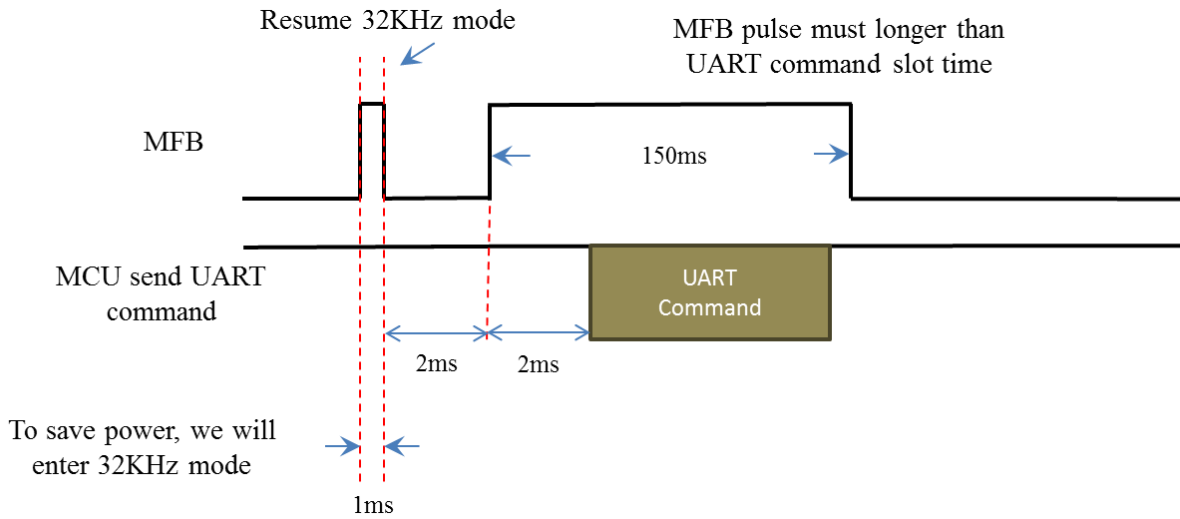
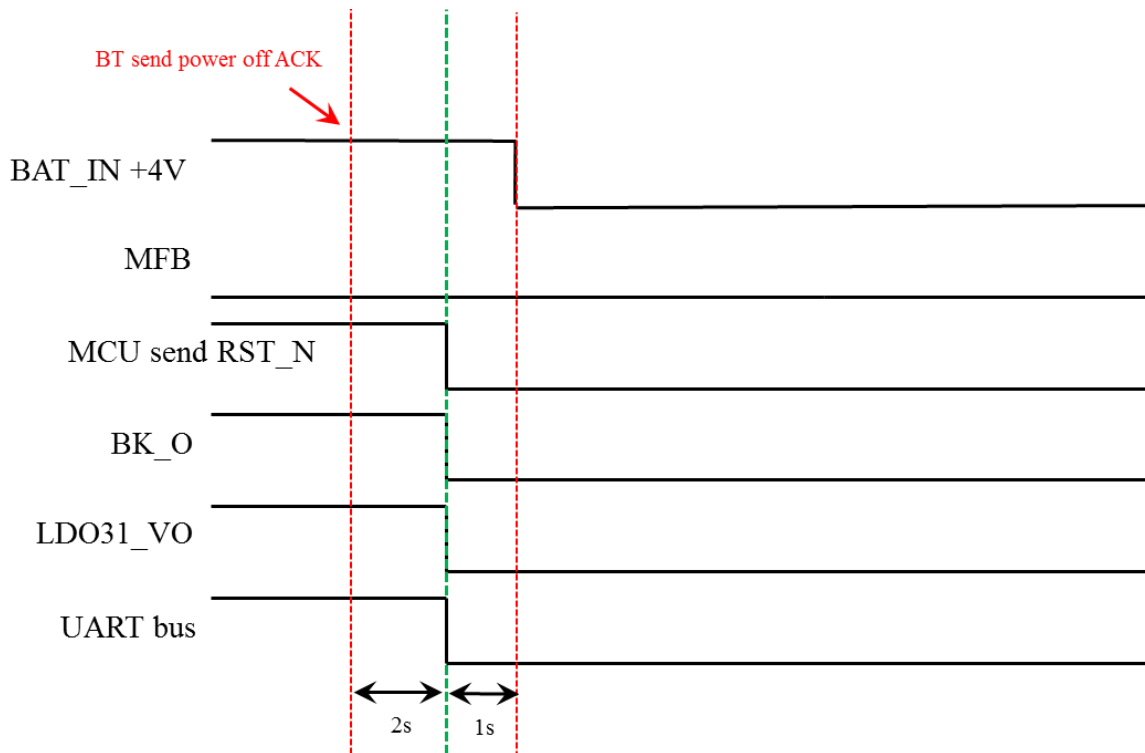


FIGURE 2-4: TIMING SEQUENCE OF POWER OFF



EEPROM clock= 100KHz

For a byte write, $0.01ms * 32clock * 2 = 640us$

If power drop faster than 640us, some issue may occurs, but the possibility is low

FIGURE 2-5: TIMING SEQUENCE OF POWER ON (NACK)

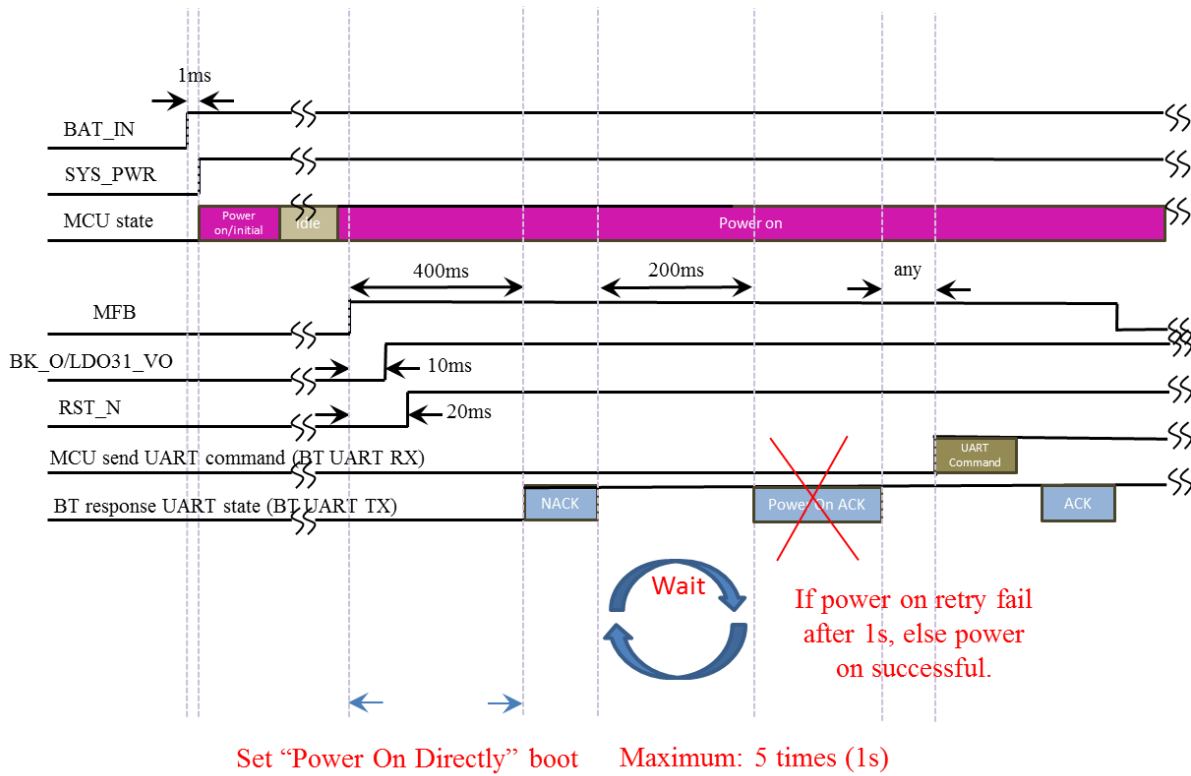
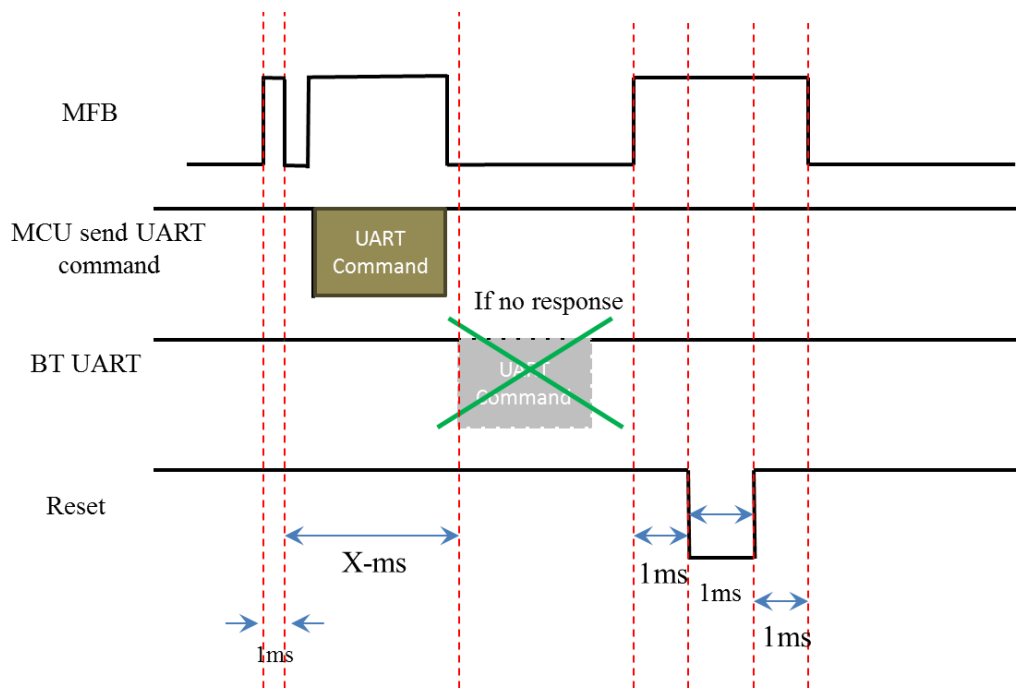
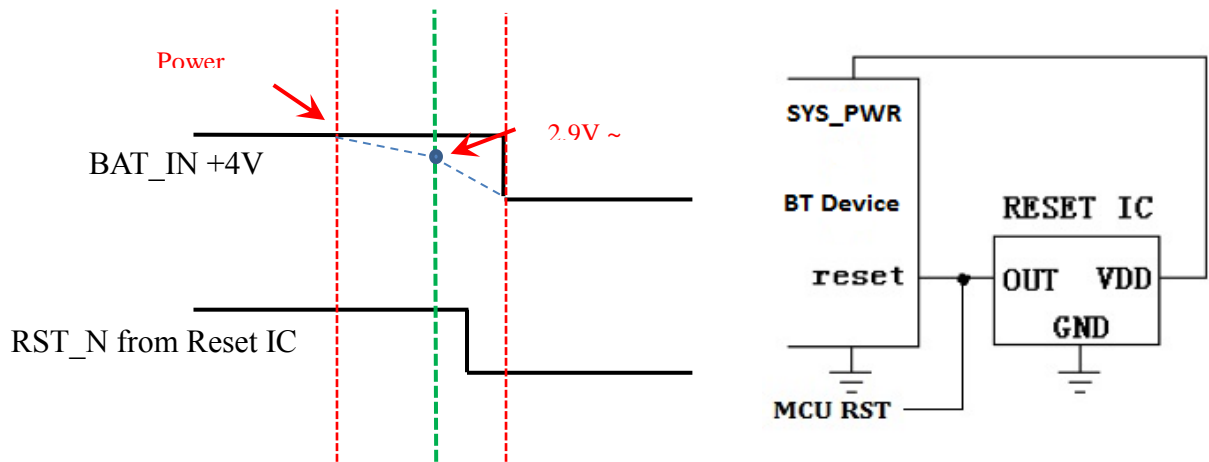


FIGURE 2-6: RESET TIMING SEQUENCE IF MODULE HANGS UP



If MCU send UART command, but BT does not response within X-ms, MCU will send a reset signal to BT to do hardware reset

FIGURE 2-7: TIMING SEQUENCE OF POWER DROP PROTECTION



If BT's BAT use adaptor translates voltage by LDO, we recommend use "Reset IC" to avoid power off suddenly. Rest IC spec output pin must be "Open Drain" \ delay time $\leq 10\text{ms}$

Recommend part: TCM809SVNB713 or G691L263T73

2.2. I²S Signal Application for BM23

BM23 support I²S digital audio signal interface to connect your external CODEC/DSP. It provide 8k Hz, 44.1k Hz and 48k Hz sampling rate; it also support 16 bits and 24bits data format. The I²S setting can be set up by UI and DSP tools.

The external CODEC/DSP needs to be connected to SLK0, RFS0, TFS0, DR0, and DT0 (pins 4, 2, 3, 5, and 6 respectively). The I²S signal connection between BM23 and external DSP as below:

FIGURE 2-9: MASTER MODE REFERENCE CONNECTION

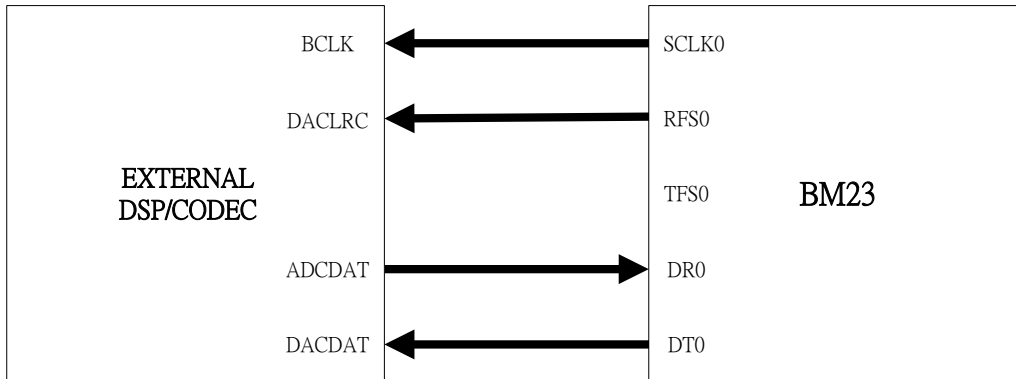
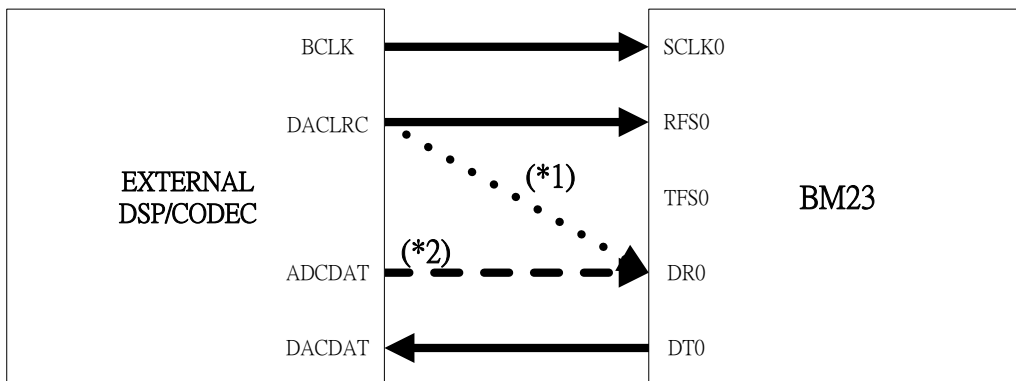


FIGURE 2-10: SLAVE MODE REFERENCE CONNECTION



Note 1: For 002 version chip or module, system should connect line 1 in slave mode figure.

And, system not support ADC signal from external DSP/CODEC.

Note 2: For other version chip or module, system should connect line 2 in slave mode figure.

About “Mast” or “Slave” mode setting, you can use “DSP Configuration Tool” to set up system.

The clock and data timing as below:

FIGURE 2-11: TIMING FOR I²S MODES (both master and slave)

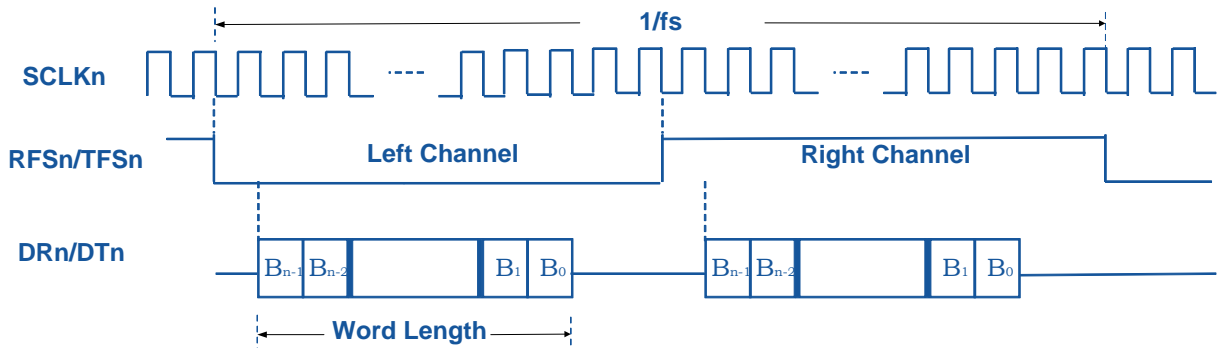
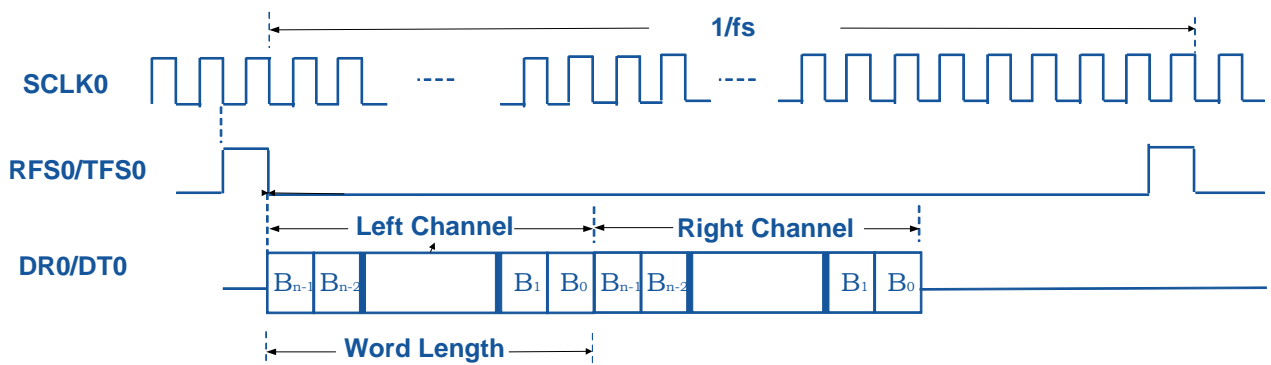


FIGURE 2-12: TIMING FOR PCM MODES (both master and slave)



2.3. RESET (RST_N)

RST is module reset pin which is active LOW. To reset the module, the RST_N must hold LOW for at least 63ns.

2.4. STATUS LED (LED1, LED2)

The status LED provide below status indication:

- Standby
- Inquiry
- Link
- Link Back
- Low Battery
- Page
- Battery Charging

Each status indication LED flashing sequence and brightness is configurable by UI tool.

2.5. EXTERNAL CONFIGURATION

Stereo module can be configured and firmware programmed using an external configuration and programming tool available from Microchip. Figure 2-7 shows the configuration and firmware programming interface on BM23. It is recommended to include a pin header on the main PCB for development.

Configuration and firmware programming modes are entered accordingly to the system configuration I/O pins as shown in Table 2-1. Pin P20, P24 and EAN pin have internal pull-up.

FIGURE 2-13: EXTERNAL PROGRAMMING HEADER CONNECTIONS

(Here is the interface connect example of the BM23)

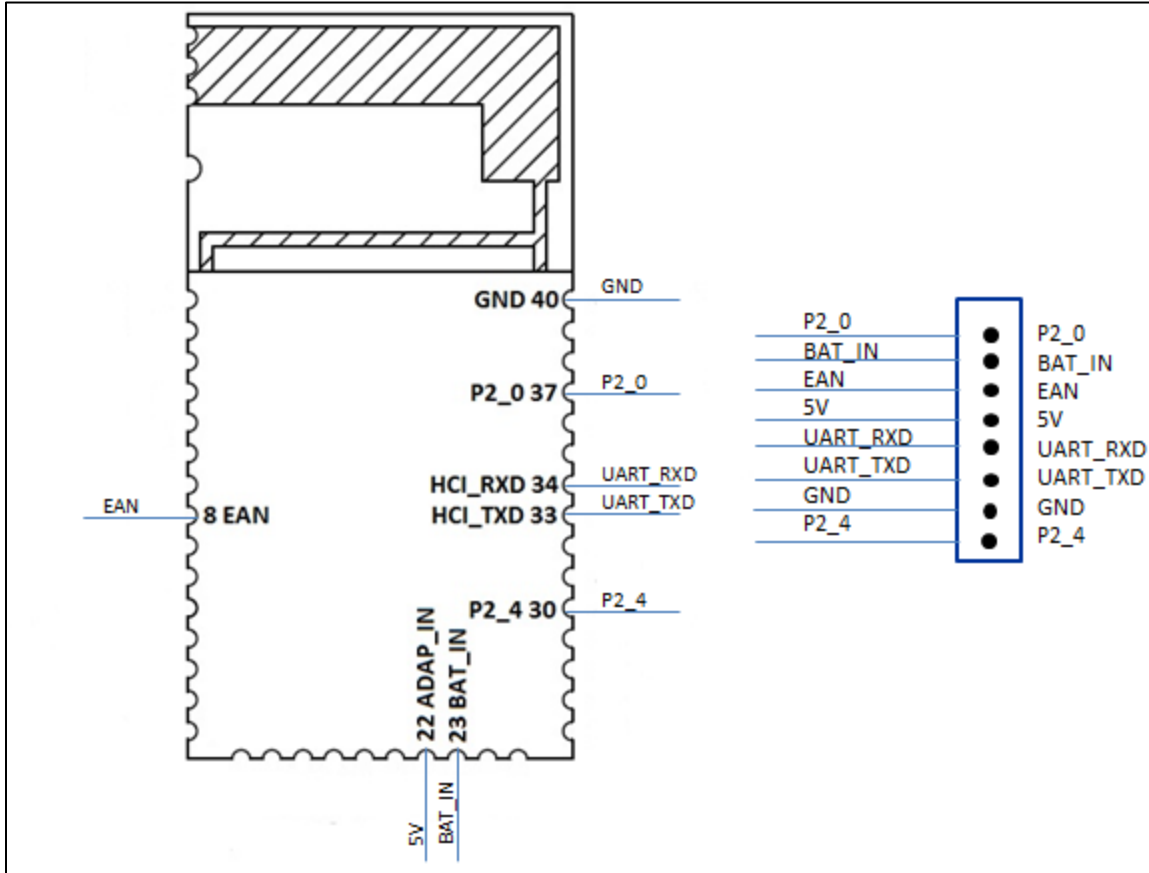


TABLE 2-1: SYSTEM CONFIGURATION SETTINGS

| P20 | P24 | EAN | Operational Mode |
|------|------|------|--|
| High | High | High | APP mode (Normal operation) |
| Low | High | High | Test mode (Write EEPROM) |
| Low | Low | High | Write Flash (Firmware programming if flash build-in in chip) |

3. ELECTRICAL CHARACTERISTICS

Table 3-1: ABSOLUTE MAXIMUM SPECIFICATION

| Symbol | Parameter | Min | Max | Unit |
|------------------------|---------------------------|-----|------|------|
| BAT_IN | Input voltage for battery | 0 | 4.3 | V |
| ADAP_IN | Input voltage for adaptor | 0 | 7.0 | V |
| T _{STORE} | Storage temperature | -65 | +150 | °C |
| T _{OPERATION} | Operation temperature | -20 | +70 | °C |

Table 3-2: RECOMMENDED OPERATING CONDITION

| Symbol | Parameter | Min | Typical | Max | Unit |
|------------------------|---------------------------|-----|---------|-----|------|
| BAT_IN | Input voltage for battery | 3 | 3.7 | 4.2 | V |
| ADAP_IN | Input voltage for adaptor | 4.5 | 5 | 5.5 | V |
| T _{OPERATION} | Operation temperature | -20 | +25 | +70 | °C |

Note:

Absolute and Recommended operating condition tables reflect typical usage for device.

TABLE 3-3: I/O AND RESET LEVEL

| Parameter | Min. | Typ. | Max. | Units |
|--|------|------|------|-------|
| I/O Supply Voltage (VDD_IO) | 2.7 | 3.0 | 3.3 | V |
| I/O Voltage Levels | | | | |
| V _{IL} input logic levels low | -0.3 | | 0.8 | V |
| V _{IH} input logic levels high | 2.0 | | 3.6 | V |
| V _{OL} output logic levels low | | | 0.4 | V |
| V _{OH} output logic levels high | 2.4 | | | V |
| RESET | | | | |
| V _{TH,RES} threshold voltage | | 1.6 | | V |

Note:

(1) VDD_IO voltage is programmable by EEPROM parameters.

(2) These parameters are characterized but not tested in manufacturing.

Stereo Module

Table 3-4: BATTERY CHARGER

| Parameter | Min | Typical | Max | Unit | |
|---|-----------------------------------|---------|-----|------|----|
| ADAP_IN Input Voltage | 4.5 | 5.0 | 5.5 | V | |
| Supply current to charger only | | 3 | 4.5 | mA | |
| Maximum Battery Fast Charge Current Note: ENX2=0 | Headroom > 0.7V (ADAP_IN=5V) | 170 | 200 | 240 | mA |
| | Headroom = 0.3V (ADAP_IN=4.5V) | 160 | 180 | 240 | mA |
| Maximum Battery Fast Charge Current Note: ENX2=1 | Headroom > 0.7V (ADAP_IN=5V) | 330 | 350 | 420 | mA |
| | Headroom = 0.3V (ADAP_IN=4.5V) | 180 | 220 | 270 | mA |
| Trickle Charge Voltage Threshold | | 3 | | V | |
| Battery Charge Termination Current, (% of Fast Charge Current) | | 10 | | % | |

Note:

- (1) Headroom = $V_{ADAP_IN} - V_{BAT}$
- (2) ENX2 is not allowed to be enabled when $V_{ADAP_IN} - V_{BAT} > 2V$
- (3) These parameters are characterized but not tested in manufacturing.

Table 3-5: LED DRIVER

| Parameter | Min | Typical | Max | Unit |
|-------------------------------|-----|---------|------|---------|
| Open-drain Voltage | | | 3.6 | V |
| Programmable Current Range | 0 | | 5.25 | mA |
| Intensity Control | | 16 | | step |
| Current Step | | 0.35 | | mA |
| Power Down Open-drain Current | | | 1 | μA |
| Shutdown Current | | | 1 | μA |

Note:

- (1) Test condition: SAR_VDD=1.8V, temperature=25 °C.
- (2) These parameters are characterized but not tested in manufacturing.

Stereo Module

Table 3-6: AUDIO CODEC ANALOGUE TO DIGITAL CONVERTER

| T= 25°C, V _{dd} =3.0V, 1KHz sine wave input, Bandwidth = 20Hz~20KHz | | | | |
|--|------|------|------|-----------|
| Parameter (Condition) | Min. | Typ. | Max. | Unit |
| Resolution | | | 16 | Bits |
| Output Sample Rate | 8 | | 48 | KHz |
| Signal to Noise Ratio Note: 1 (SNR @MIC or Line-in mode) | | 88 | | dB |
| Digital Gain | -54 | | 4.85 | dB |
| Digital Gain Resolution | | 2~6 | | dB |
| MIC Boost Gain | | 20 | | dB |
| Analog Gain | | | 60 | dB |
| Analog Gain Resolution | | 2.0 | | dB |
| Input full-scale at maximum gain (differential) | | 4 | | mV rms |
| Input full-scale at minimum gain (differential) | | 800 | | mV rms |
| 3dB bandwidth | | 20 | | KHz |
| Microphone mode (input impedance) | | 24 | | KΩ |
| THD+N (microphone input) @30mVrms input | | 0.02 | | % |

Note:

- (1) f_{in}=1KHz, BW=20~20KHz, A-weighted, THD+N < 1%, 150mV_{pp} input
- (2) These parameters are characterized but not tested in manufacturing.

Stereo Module

Table 3-7: AUDIO CODEC DIGITAL TO ANALOGUE CONVERTER

| T= 25°C, V _{dd} =3.0V, 1KHz sine wave input, Bandwidth = 20Hz~20KHz | | | | | |
|--|------------|-------|------|--------|----|
| Parameter (Condition) | Min. | Typ. | Max. | Unit | |
| Over-sampling rate | | 128 | | f_s | |
| Resolution | 16 | | 20 | Bits | |
| Output Sample Rate | 8 | | 48 | KHz | |
| Signal to Noise Ratio Note: 1 (SNR @cap-less mode) for 48kHz | | 96 | | dB | |
| Signal to Noise Ratio Note: 1 (SNR @single-end mode) for 48kHz | | 98 | | dB | |
| Digital Gain | -54 | | 4.85 | dB | |
| Digital Gain Resolution | | 2~6 | | dB | |
| Analog Gain | -28 | | 3 | dB | |
| Analog Gain Resolution | | 1 | | dB | |
| Output Voltage Full-scale Swing (AVDD=2.8V) Note:3 | | 742.5 | | mV rms | |
| Maximum Output Power (16Ω load) | | 34.5 | | mW | |
| Maximum Output Power (32Ω load) | | 17.2 | | mW | |
| Allowed Load | Resistive | 8 | 16 | O.C. | Ω |
| | Capacitive | | | 500 | pF |
| THD+N (16Ω load) | | | 0.05 | % | |
| Signal to Noise Ratio (SNR @ 16Ω load) | | | 96 | dB | |

Note:

- (1) f_{in} =1KHz, BW=20~20KHz, A-weighted, THD+N < 0.01%, 0dBFS signal, Load=100KΩ
- (2) These parameters are characterized but not tested in manufacturing.
- (3) V_{dd}, AVDD are generated by internal LDO

Table 3-8: TRANSMITTER SECTION FOR BDR AND EDR

| Parameter | Min | Typ | Max | Bluetooth specification | Unit |
|------------------------------------|-----|------|-----|-------------------------|------|
| Maximum RF transmit power(BM20) | | | | -6 to 4 | dBm |
| Maximum RF transmit power(BM23) | | 2 | | -6 to 4 | |
| EDR/BDR Relative transmit power | -4 | -1.2 | 1 | -4 to 1 | dB |

Note:

The RF Transmit power is calibrated during production using MP Tool software and MT8852 Bluetooth Test equipment.

Test condition: VCC_RF= 1.28V, temperature=25 °C.

Table 3-9: RECEIVER SECTION FOR BDR AND EDR

| | Modulation | Min | Typ | Max | Bluetooth specification | Unit |
|--------------------------|------------|-----|-----|-----|-------------------------|------|
| Sensitivity at 0.1% BER | GFSK | | -90 | | ≤-70 | dBm |
| Sensitivity at 0.01% BER | π/4 DQPSK | | -91 | | ≤-70 | dBm |
| | 8DPSK | | -82 | | ≤-70 | dBm |

Note:

- (1) Test condition: VCC_RF= 1.28V, temperature=25 °C.
- (2) These parameters are characterized but not tested in manufacturing.

Table 3-10: SYSTEM CURRENT CONSUMPTION OF ANALOG AUDIO OUTPUT

| System Status | Typ. | Max. | Unit |
|--|------|------|------|
| System Off Mode | 2 | 5 | uA |
| Standby Mode | 0.8 | | mA |
| Linked Mode | 0.4 | | mA |
| SCO Link | 7.8 | | mA |
| A2DP Link (V _{pp} =200mV; 1k tone signal) | 10.7 | | mA |

Note: Use BM20 EVB as test platform.

Test condition: BAT_IN= 3.8V, link with HTC EYE cell phone; distance between cell phone and EVB: 30cm.

Table 3-11: SYSTEM CURRENT CONSUMPTION OF DIGITAL AUDIO OUTPUT(I²S)

| System Status | Typ. | Max. | Unit |
|----------------------------|------|------|------|
| System Off Mode | 2 | 5 | uA |
| Standby Mode | 0.4 | | mA |
| Linked Mode | 0.4 | | mA |
| SCO Link | 9.3 | | mA |
| A2DP Link (1k tone signal) | 11.7 | | mA |

Note: Use BM23 EVB as test platform

Test condition: BAT_IN= 3.8V, link with HTC M8 cell phone; distance between cell phone and EVB: 30cm;
I²S signal link with YAMAHA YDA174 EVB

4. PRINTED ANTENNA INFORMATION

4.1. MODULE RADIATION PATTERN

The stereo module contains a PCB printed antenna. The PCB printed antenna radiation pattern is shown in Figure 4-2.

FIGURE 4-1: ANTENNA KEEP OUT AREA EXAMPLES

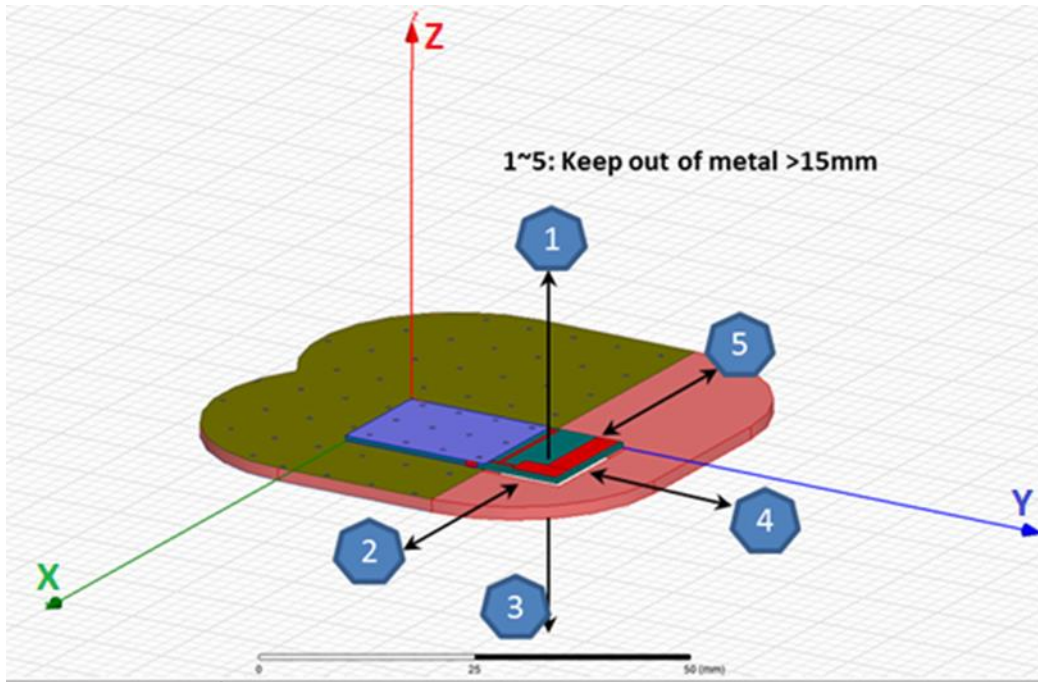
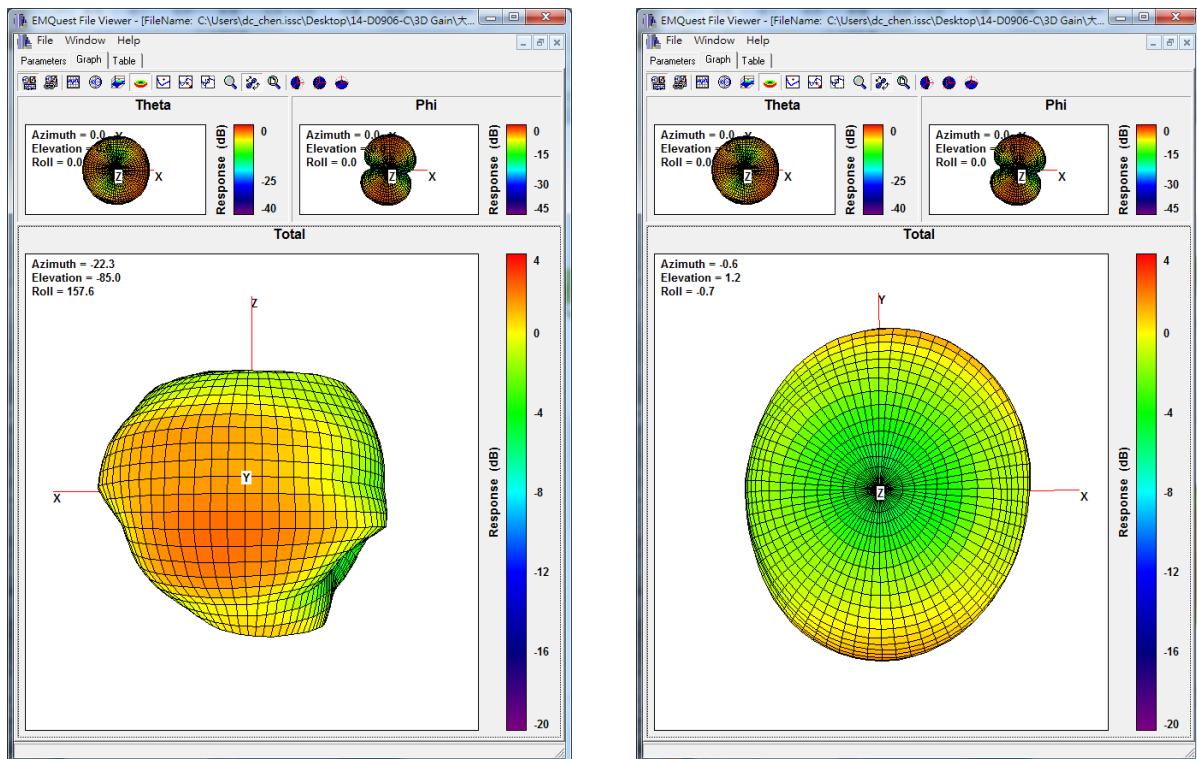


FIGURE 4-2: ANTENNA 3D RADIATION PATTERN @2441 MHz



4.2. MODULE PLACEMENT RULE

On the main PCB, the areas under the antenna should not contain any top, inner layer, or bottom copper as shown in Figure 4-1. A low-impedance ground plane will ensure the best radio performance (best range, lowest noise). The ground plane can be extended beyond the minimum recommended as need for the main PCB EMC noise reduction. For the best range performance, keep all external metal away from the ceramic chip antenna at least 15 mm.

Here are some examples of good and poor placement on a carrier board with GND plane.

FIGURE 4-3: MODULE PLACEMENT EXAMPLES

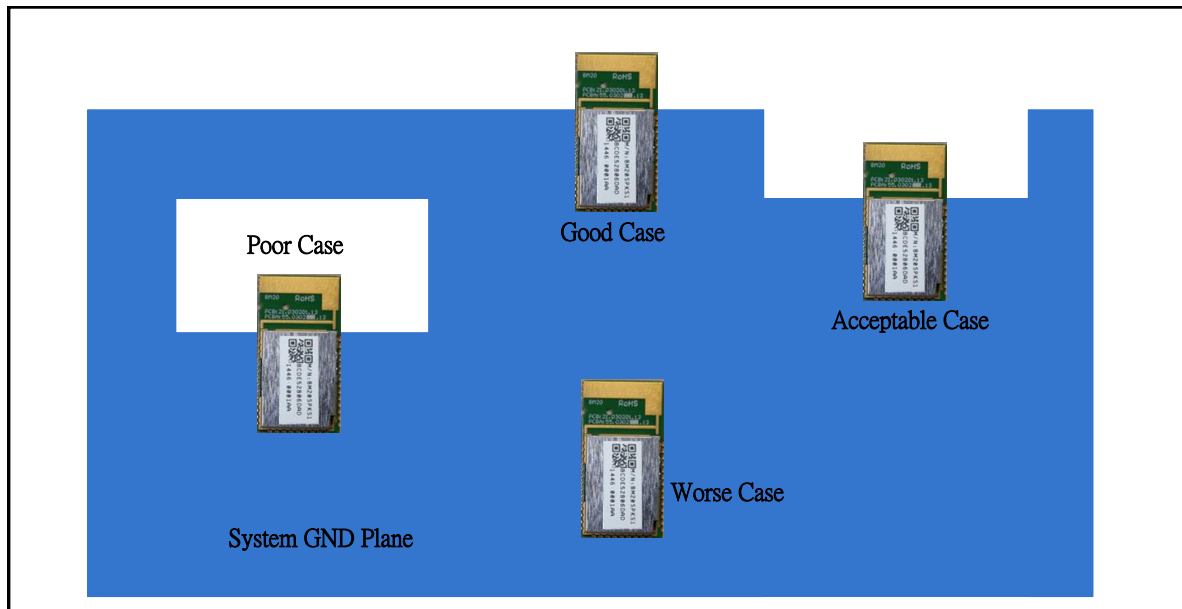
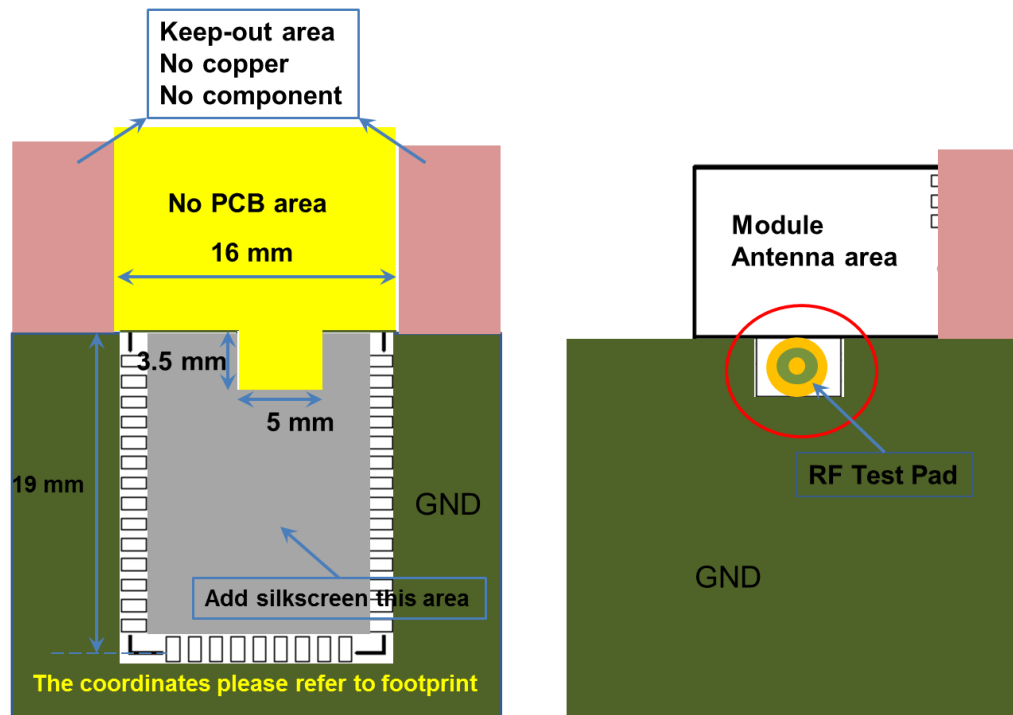


FIGURE 4-4: GND PLANE ON MAIN APPLICATION BOARD

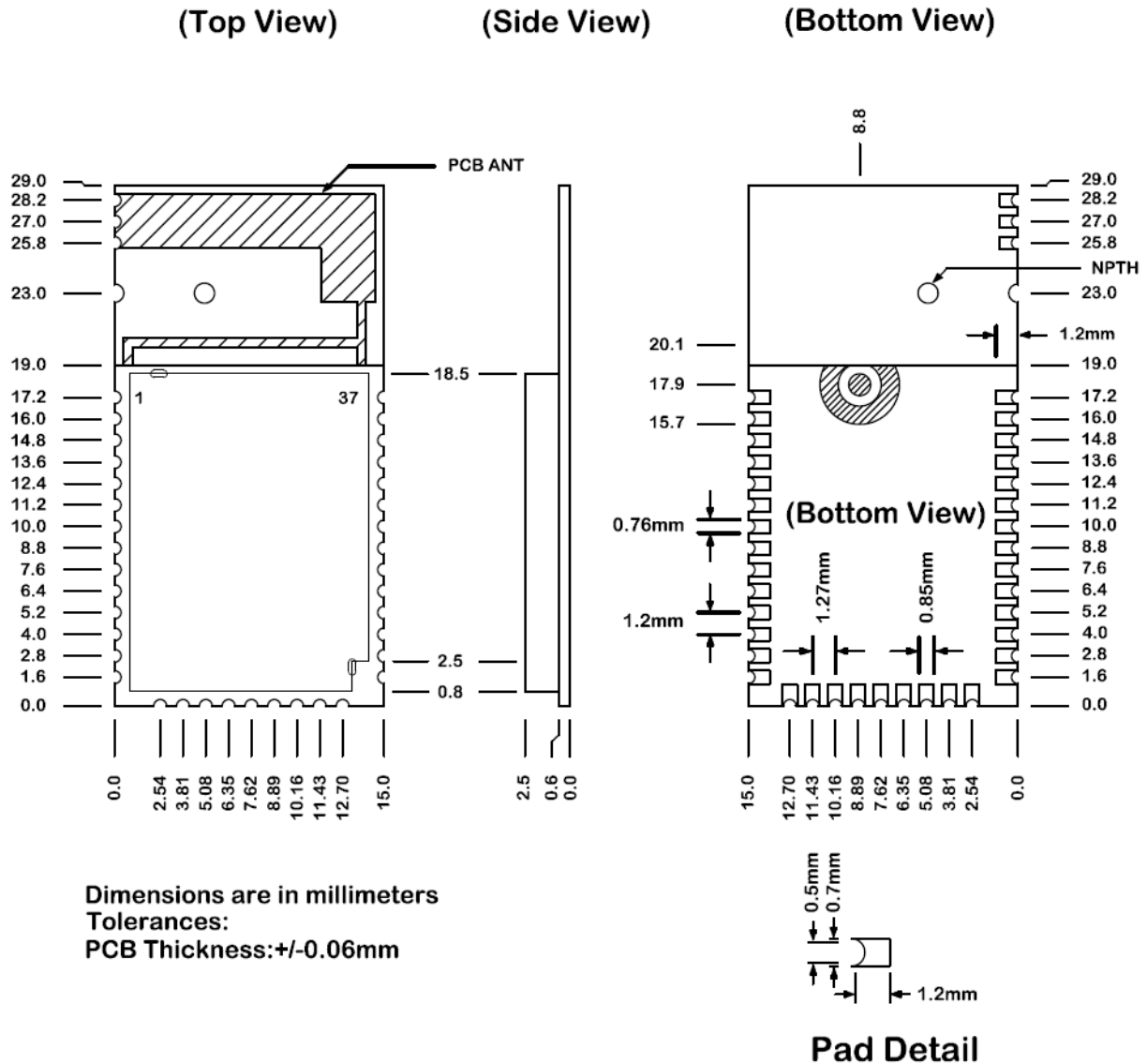


Stereo Module

6. MODULE OUTLINE AND REFLOW PROFILE

6.1. MODULE DIMENSION AND PCB FOOT PRINT

FIGURE 6-1: BM20 Outline Dimension



PCB dimension:

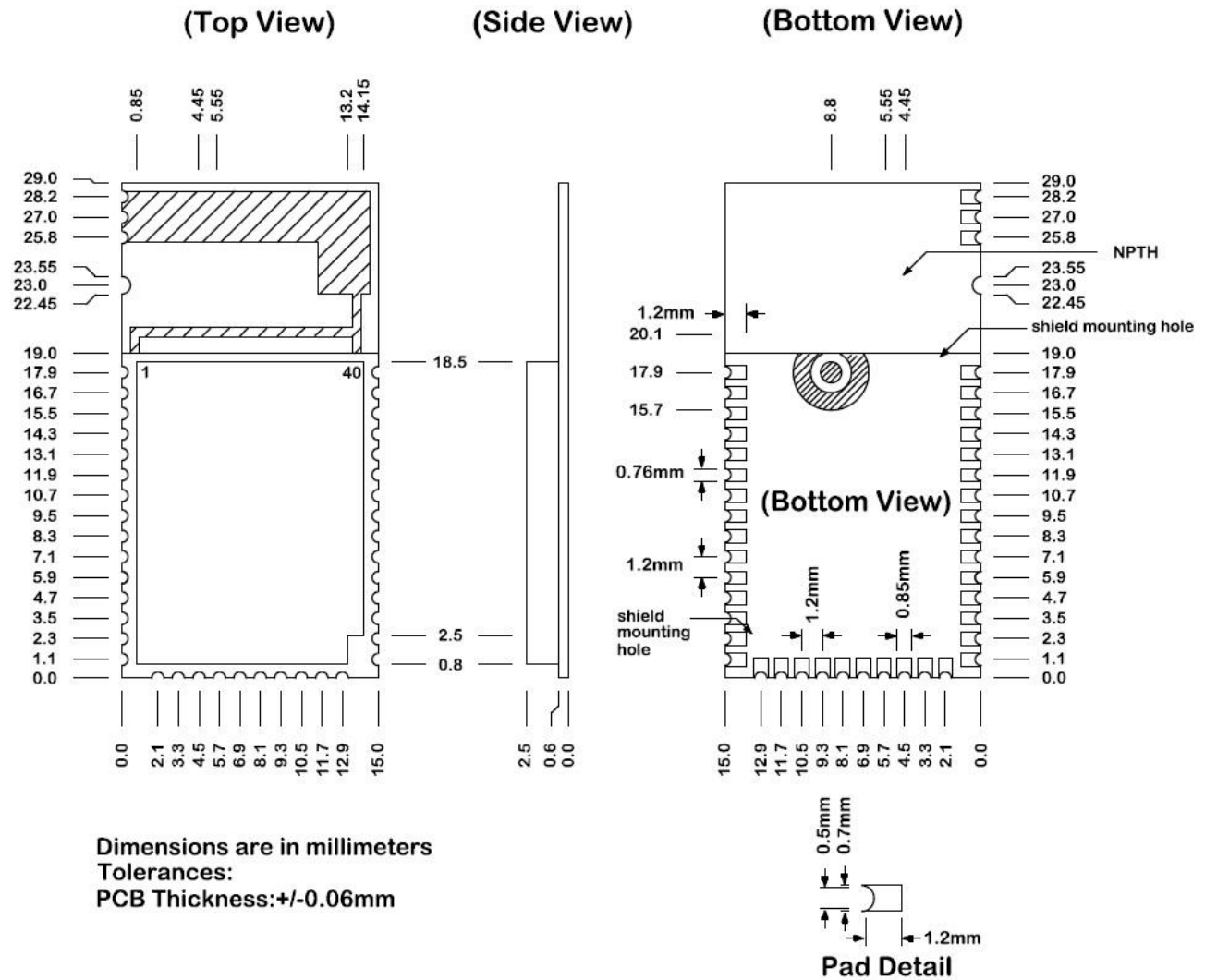
X : 15.0 mm

Y : 29.0 mm

Tolerances: 0.25 mm

Stereo Module

FIGURE 6-2: BM23 Outline Dimension



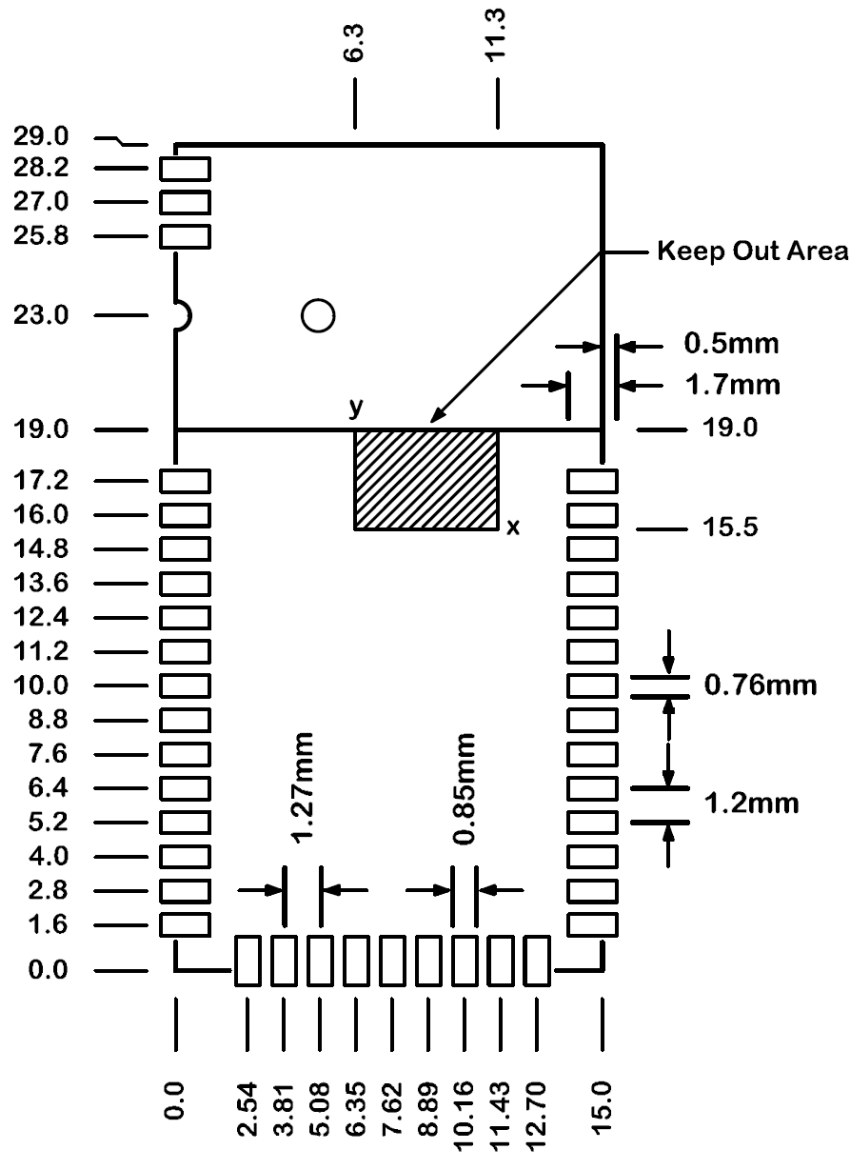
PCB dimension:

X : 15.0 mm

Y : 29.0 mm

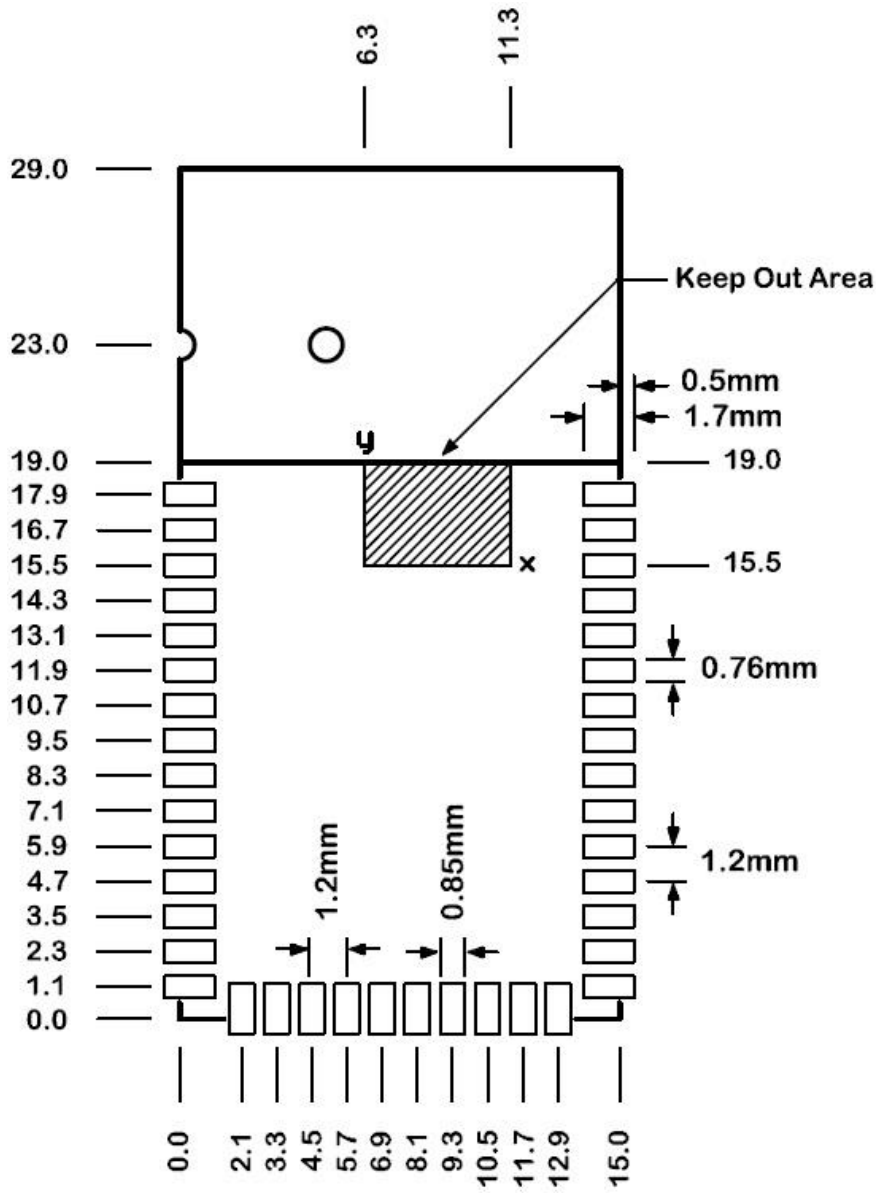
Tolerances: 0.25 mm

FIGURE 6-3: BM20 PCB FOOT PRINT



Note: The "Keep Out Area" is reserved for RF performance check.

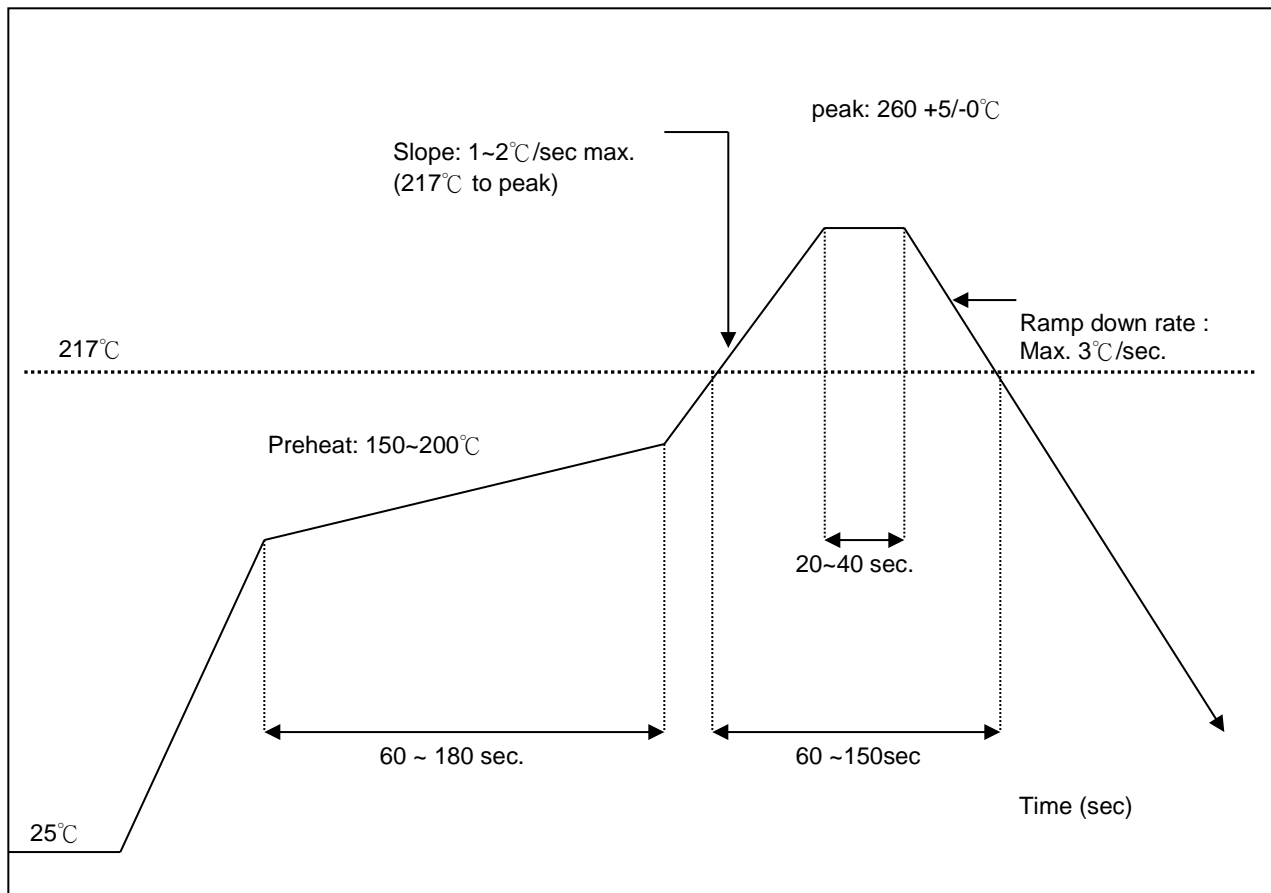
FIGURE 6-4: BM23 PCB FOOT PRINT



Note: The "Keep Out Area" is reserved for RF performance check.

6.2 REFLOW PROFILE

FIGURE 6-5: REFLOW PROFILE



Soldering Recommendations

Stereo module was assembled using standard lead-free reflow profile IPC/JEDEC J-STD-020. The module can be soldered to the main PCB using standard leaded and lead-free solder reflow profiles. To avoid damaging of the module, the recommendations are listed as follows:

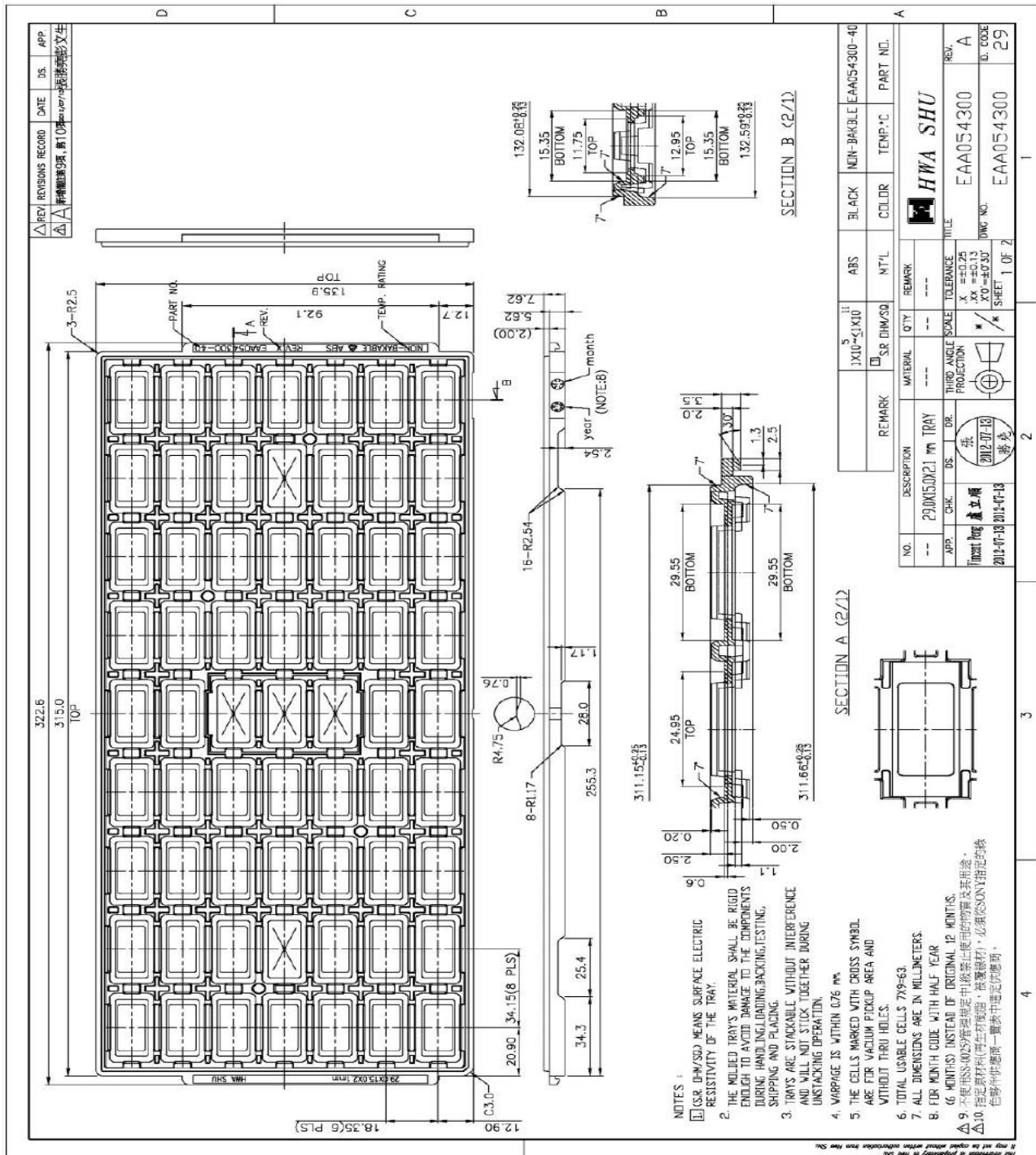
- Refer to Microchip Technology Application Note AN233 Solder Reflow Recommendation (DS00233) for the soldering reflow recommendations
- Do not exceed peak temperature (T_p) of 250 degree C
- Refer to the solder paste data sheet for specific reflow profile recommendations
- Use no-clean flux solder paste
- Do not wash as moisture can be trapped under the shield
- Use only one flow. If the PCB requires multiple flows, apply the module on the final flow.

7. PACKAGING AND STORAGE INFORMATION

The module is packaged into trays (see following page) of sixty three (63) modules in a 7 x 9 format. These trays are then sealed into bags. Ten sealed bags are then placed in a box of 630 pieces with a dimension of 36 * 16 * 9.5 cm³.

The shelf life of each module in a sealed bag is 12 months at <40°C and <90% relative humidity.

After a bag is opened, devices that will be subjected to reflow solder or other high temperature processes must be mounted within 168 hours (7 days) at factory conditions of <30°C and <60% relative humidity.



7.1. ORDERING INFORMATION

TABLE 7-1: Module Ordering Information

| Part Number | Description |
|--------------|--|
| BM20SPKS1NBC | Bluetooth 4.1 BDR/EDR, Class 2 Surface Mount module with integrated antenna and shield |
| BM23SPKS1NB9 | Bluetooth 4.1 BDR/EDR, Class 2 Surface Mount module with integrated antenna and shield |

Note: The module can only be purchased through a Microchip representative. Go to <http://www.microchip.com/> for current pricing and a list of distributors carrying Microchip products.

APPENDIX A: CERTIFICATION NOTICES

BM20 module (BM20SPKS1NBC) has received the regulatory approval for the following:

- BT SIG/QDID: 58996
- United States: FCC ID: A8TBM20SPKXYNBZ
- Canada
 - IC ID: 12246A-BM20SPKS1
 - HVIN: BM20SPKS1
- Europe/CE
- Japan/MIC: 202-SMD048
- Korea/KCC: MSIP-CRM-mcp-BM20SPKS1NBC
- Taiwan/NCC No.: CCAN15LP0460T2
- China/SRRC: CMIIT ID: 2015DJ7134

BM23 module (BM23SPKS1NB9) has received the regulatory approval for the following:

- BT SIG/QDID: 58996
- United States/ FCC ID: A8TBM23SPKXYC2A
- Canada
 - IC ID: 12246A-BM23SPKXYC2
 - HVIN: BM23SPKXY
- Europe/CE
- Japan/MIC: 202-SMC067
- Korea/KCC: MSIP-CRM-S9S-BM23SPKXY
- Taiwan
 - NCC No.: CCAL15LP0270T3
 - M/N: BM23SPK
- China/SRRC: CMIIT ID: 2016DJ3553

A.1 REGULATORY APPROVAL

This section outlines the regulatory information for the BM20/BM23 module for the following countries:

- United States
- Canada
- Europe
- Japan
- Korea
- Taiwan
- China
- Other Regulatory Jurisdictions

A.2 United States

The BM20/BM23 module has received Federal Communications Commission (FCC) CFR47 Telecommunications, Part 15 Subpart C "Intentional Radiators" modular approval in accordance with Part 15.212 Modular Transmitter approval. Modular approval allows the end user to integrate the BM20/BM23 module into a finished product without obtaining subsequent and separate FCC approvals for intentional radiation, provided no changes or modifications are made to the module circuitry. Changes or modifications could void the user's authority to operate the equipment. The end user must comply with all of the

instructions provided by the Grantee, which indicate installation and/or operating conditions necessary for compliance.

The finished product is required to comply with all applicable FCC equipment authorizations regulations, requirements and equipment functions not associated with the transmitter module portion. For example, compliance must be demonstrated to regulations for other transmitter components within the host product; to requirements for unintentional radiators (Part 15 Subpart B “Unintentional Radiators”), such as digital devices, computer peripherals, radio receivers, etc.; and to additional authorization requirements for the non-transmitter functions on the transmitter module (i.e., Verification, or Declaration of Conformity) (e.g., transmitter modules may also contain digital logic functions) as appropriate.

A.2.1 LABELING AND USER INFORMATION REQUIREMENTS

The BM20/BM23 module has been labeled with its own FCC ID number, and if the FCC ID is not visible when the module is installed inside another device, then the outside of the finished product into which the module is installed must also display a label referring to the enclosed module. This exterior label can use wording as follows:

For BM20 Module:

Contains Transmitter Module FCC ID:

A8TBM20SPKXYNBZ

or

Contains FCC ID:

A8TBM20SPKXYNBZ

This device complies with Part 15 of the FCC Rules. Operation is subject to the following two conditions: (1) this device may not cause harmful interference, and (2) this device must accept any interference received, including interference that may cause undesired operation

For BM23 Module:

Contains Transmitter Module FCC ID:

A8TBM23SPKXYC2A

or

Contains FCC ID:

A8TBM23SPKXYC2A

This device complies with Part 15 of the FCC Rules. Operation is subject to the following two conditions: (1) this device may not cause harmful interference, and (2) this device must accept any interference received, including interference that may cause undesired operation

A user’s manual for the finished product should include the following statement:

This equipment has been tested and found to comply with the limits for a Class B digital device, pursuant to part 15 of the FCC Rules. These limits are designed to provide reasonable protection against harmful interference in a residential installation. This equipment generates, uses and can radiate radio frequency energy, and if not installed and used in accordance with the instructions, may cause harmful interference to radio communications. However, there is no guarantee that interference will not occur in a particular installation. If this equipment does cause harmful interference to radio or television reception, which can be determined by turning the equipment off and on, the user is encouraged to try to correct the interference by one or more of the following measures:

- Reorient or relocate the receiving antenna.
- Increase the separation between the equipment and receiver.
- Connect the equipment into an outlet on a circuit different from that to which the receiver is connected.
- Consult the dealer or an experienced radio/TV technician for help.

Additional information on labeling and user information requirements for Part 15 devices can be found in KDB Publication 784748 available at the FCC Office of Engineering and Technology (OET) Laboratory Division Knowledge Database (KDB) <http://apps.fcc.gov/oetcf/kdb/index.cfm>.

A.2.2 RF EXPOSURE

All transmitters regulated by FCC must comply with RF exposure requirements. KDB 447498 General RF Exposure Guidance provides guidance in determining whether proposed or existing transmitting facilities, operations or devices comply with limits for human exposure to Radio Frequency (RF) fields adopted by the Federal Communications Commission (FCC).

From the FCC Grant: Output power listed is conducted. This grant is valid only when the module is sold to OEM integrators and must be installed by the OEM or OEM integrators. This transmitter is restricted for use with the specific antenna(s) tested in this application for Certification and must not be co-located or operating in conjunction with any other antenna or transmitters within a host device, except in accordance with FCC multi-transmitter product procedures.

A.2.3 HELPFUL WEB SITES

Federal Communications Commission (FCC): <http://www.fcc.gov>

FCC Office of Engineering and Technology (OET) Laboratory Division Knowledge Database (KDB): <http://apps.fcc.gov/oetcf/kdb/index.cfm>

A.3 Canada

The BM20/BM23 module has been certified for use in Canada under Industry Canada (IC) Radio Standards Specification (RSS) RSS-247 and RSS-Gen. Modular approval permits the installation of a module in a host device without the need to recertify the device.

A.3.1 LABELING AND USER INFORMATION REQUIREMENTS

Labeling Requirements for the Host Device (from Section 3.1, RSS-Gen, Issue 4, November 2014):

The host device shall be properly labeled to identify the module within the host device.

The Industry Canada certification label of a module shall be clearly visible at all times when installed in the host device, otherwise the host device must be labeled to display the Industry Canada certification number of the module, preceded by the words "Contains transmitter module", or the word "Contains", or similar wording expressing the same meaning, as follows:

For BM20 Module:

Contains transmitter module IC: 12246A-BM20SPKS1

For BM23 Module:

Contains transmitter module IC: 12246A-BM23SPKXYC2

User Manual Notice for License-Exempt Radio Apparatus (from Section 8.4, RSS-Gen, Issue 4, November 2014): User manuals for license-exempt radio apparatus shall contain the following or equivalent notice in a conspicuous location in the user manual or alternatively on the device or both:

This device complies with Industry Canada license-exempt RSS standard(s). Operation is subject to the following two conditions: (1) this device may not cause interference, and (2) this device must accept any interference, including interference that may cause undesired operation of the device.

Le présent appareil est conforme aux CNR d'Industrie Canada applicables aux appareils radio exempts de licence. L'exploitation est autorisée aux deux conditions suivantes: (1) l'appareil ne doit pas produire de brouillage, et (2) l'utilisateur de l'appareil doit accepter tout brouillage radioélectrique subi, même si le brouillage est susceptible d'en compromettre le fonctionnement.

Transmitter Antenna (from Section 7.1.2 RSS-Gen, Issue 3, December 2010): User manuals for transmitters shall display the following notice in a conspicuous location:

Under Industry Canada regulations, this radio transmitter may only operate using an antenna of a type and maximum (or lesser) gain approved for the transmitter by Industry Canada. To reduce potential radio interference to other users, the antenna type and its gain should be so chosen that the equivalent isotropically radiated power (e.i.r.p.) is not more than that necessary for successful communication.

Conformément à la réglementation d'Industrie Canada, le présent émetteur radio peut fonctionner avec une antenne d'un type et d'un gain maximal (ou inférieur) approuvé pour l'émetteur par Industrie Canada. Dans le but de réduire les risques de brouillage radioélectrique à l'intention des autres utilisateurs, il faut choisir le type d'antenne et son gain de sorte que la puissance isotrope rayonnée équivalente (p.i.r.e.) ne dépasse pas l'intensité nécessaire à l'établissement d'une communication satisfaisante.

The above notice may be affixed to the device instead of displayed in the user manual.

A.3.2 RF EXPOSURE

All transmitters regulated by IC must comply with RF exposure requirements listed in RSS-102 - Radio Frequency (RF) Exposure Compliance of Radio communication Apparatus (All Frequency Bands).

A.3.3 WEB SITES

Industry Canada: <http://www.ic.gc.ca/>

A.4 Europe

The BM20/BM23 module is an R&TTE Directive assessed radio module that is CE marked and has been manufactured and tested with the intention of being integrated into a final product.

The BM20/BM23 module has been tested to R&TTE Directive 1999/5/EC Essential Requirements for Health and Safety (Article (3.1(a)), Electromagnetic Compatibility (EMC) (Article 3.1(b)), and Radio (Article 3.2) and are summarized in **Table A-1/ Table A-2: European Compliance Testing**. A Notified Body Opinion has also been issued.

The R&TTE Compliance Association provides guidance on modular devices in document **Technical Guidance Note 01** available at http://www.rtteca.com/html/download_area.htm.

Note: To maintain conformance to the testing listed in **Table A-1/ Table A-2: European Compliance Testing**, the module shall be installed in accordance with the installation instructions in this data sheet and shall not be modified.

When integrating a radio module into a completed product the integrator becomes the manufacturer of the final product and is therefore responsible for demonstrating compliance of the final product with the essential requirements of the R&TTE Directive.

A.4.1 ABELING AND USER INFORMATION REQUIREMENTS

The label on the final product which contains the BM23 module must follow CE marking requirements. The R&TTE Compliance Association **Technical Guidance Note 01** provides guidance on final product CE marking.

A.4.2 ANTENNA REQUIREMENTS

From R&TTE Compliance Association document **Technical Guidance Note 01**:

Provided the integrator installing an assessed radio module with an integral or specific antenna and installed in conformance with the radio module manufacturer's installation instructions requires no further evaluation under Article 3.2 of the R&TTE Directive and does not require further involvement of an R&TTE Directive Notified Body for the final product. [Section 2.2.4]

The European Compliance Testing listed in **Table A-1** and **Table A-2** was performed using the integral PCB antenna.

TABLE A-1: EUROPEAN COMPLIANCE TESTING (BM20)

| Certification | Standards | Article | Laboratory | Report Number |
|-----------------------|---|----------|--------------------------|---------------|
| Safety | EN 60950-1:2006 / A11:2009 / A1:2010 / A12:2011 / A2:2013 | (3.1(a)) | TUV Rheinland, Taiwan | 10050720 002 |
| Health | EN 300 328 V1.9.1 / EN 62479:2010 | | | 10050932 002 |
| EMC | EN 301 489-1 V1.9.2 | (3.1(b)) | | 10050691 002 |
| | EN 301 489-17 V2.2.1 | | | 10050932 002 |
| Radio | EN 300 328 V1.9.1 | (3.2) | | 10050932 002 |
| Notified Body Opinion | CE0197 | | | 10048933 001 |

TABLE A-2: EUROPEAN COMPLIANCE TESTING (BM23)

| Certification | Standards | Article | Laboratory | Report Number |
|-----------------------|---|----------|--------------------------|-----------------------------|
| Safety | EN 60950-1:2006 / A11:2009 / A1:2010 / A12:2011 | (3.1(a)) | TUV Rheinland, Taiwan | 10047732 001 |
| Health | EN 300 328 V1.9.1 / EN 62479:2010 | | | 10048076 001 & 10048076 002 |
| EMC | EN 301 489-1 V1.9.2 | (3.1(b)) | | 10047659 001 |
| | EN 301 489-17 V2.2.1 | | | 10048076 001 & 10048076 002 |
| Radio | EN 300 328 V1.9.1 | (3.2) | | 10048934 001 |
| Notified Body Opinion | CE0197 | | | |

A.4.3 HELPFUL WEB SITES

A document that can be used as a starting point in understanding the use of Short Range Devices (SRD) in Europe is the European Radio Communications Committee (ERC) Recommendation 70-03 E, which can be downloaded from the European Radio Communications Office (ERO) at: <http://www.ero.dk/>.

Additional helpful web sites are:

- Radio and Telecommunications Terminal Equipment (R&TTE):
http://ec.europa.eu/enterprise/rte/index_en.htm
- European Conference of Postal and Telecommunications Administrations (CEPT):
<http://www.cept.org>
- European Telecommunications Standards Institute (ETSI):
<http://www.etsi.org>
- European Radio Communications Office (ERO):
<http://www.ero.dk>
- The Radio and Telecommunications Terminal Equipment Compliance Association (R&TTE CA):
<http://www.rtteca.com/>

A.5 Japan

The BM20/BM23 module has received type certification and is labeled with its own technical conformity mark and certification number as required to conform to the technical standards regulated by the Ministry of Internal Affairs and Communications (MIC) of Japan pursuant to the Radio Act of Japan.

Integration of this module into a final product does not require additional radio certification provided installation instructions are followed and no modifications of the module are allowed. Additional testing may be required:

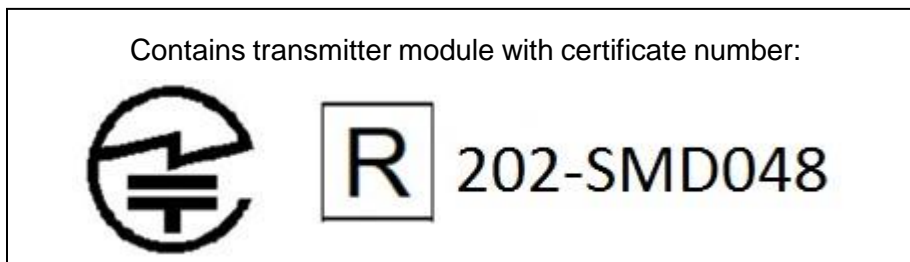
- If the host product is subject to electrical appliance safety (for example, powered from an AC mains), the host product may require Product Safety Electrical Appliance and Material (PSE) testing. The integrator should contact their conformance laboratory to determine if this testing is required.
- There is an voluntary Electromagnetic Compatibility (EMC) test for the host product administered by VCCI: http://www.vcci.jp/vcci_e/index.html

A.5.1 LABELING AND USER INFORMATION REQUIREMENTS

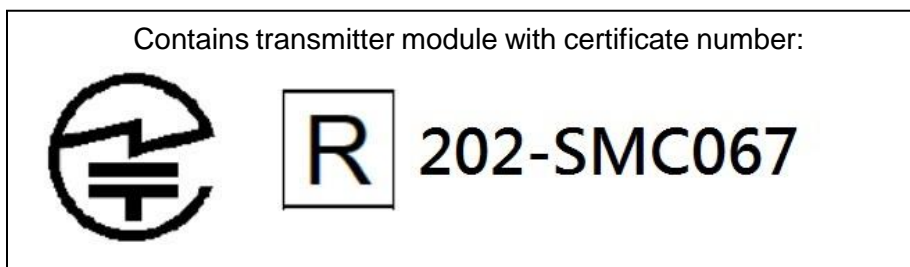
The label on the final product which contains the BM20/BM23 module must follow Japan marking requirements. The integrator of the module should refer to the labeling requirements for Japan available at the Ministry of Internal Affairs and Communications (MIC) website.

The BM20/BM23 module is labeled with its own technical conformity mark and certification number. The final product in which this module is being used must have a label referring to the type certified module inside:

For BM20 Module:



For BM23 Module:



A.5.2 HELPFUL WEB SITES

Ministry of Internal Affairs and Communications (MIC): <http://www.tele.soumu.go.jp/e/index.htm> Association of Radio Industries and Businesses (ARIB): <http://www.arib.or.jp/english/>

A.6 Korea

The BM20/ BM23 module has received certification of conformity in accordance with the Radio Waves Act. Integration of this module into a final product does not require additional radio certification provided installation instructions are followed and no modifications of the module are allowed.

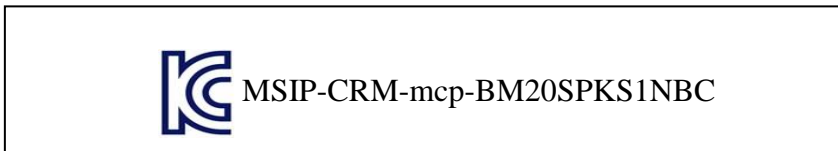
A.6.1 LABELING AND USER INFORMATION REQUIREMENTS

The label on the final product which contains the BM20/ BM23 module must follow KC marking requirements.

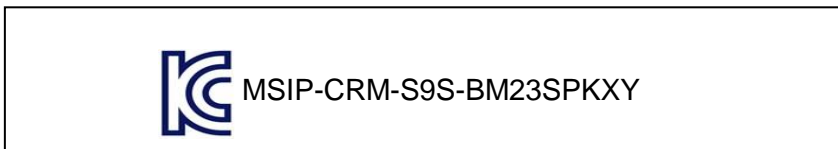
The integrator of the module should refer to the labeling requirements for Korea available on the Korea Communications Commission (KCC) website.

The BM20/ BM23 module is labeled with its own KC mark. The final product requires the KC mark and certificate number of the module:

For BM20 Module:



For BM23 Module:



A.6.2 HELPFUL WEB SITES

Korea Communications Commission (KCC): <http://www.kcc.go.kr> National Radio Research Agency (RRA): <http://rra.go.kr>

A.7 Taiwan

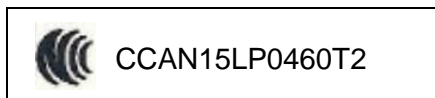
The BM20/BM23 module has received compliance approval in accordance with the Telecommunications Act. Customers seeking to use the compliance approval in their product should contact Microchip Technology sales or distribution partners to obtain a Letter of Authority.

Integration of this module into a final product does not require additional radio certification provided installation instructions are followed and no modifications of the module are allowed.

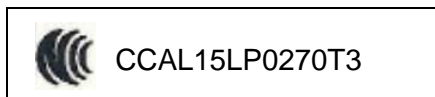
A.7.1 LABELING AND USER INFORMATION REQUIREMENTS

The BM20/BM23 module is labeled with its own NCC mark and certificate number as below:

For BM20 Module:



For BM23 Module:



The user's manual should contain below warning (for RF device) in traditional Chinese:

注意!

依據 低功率電波輻射性電機管理辦法

第十二條 經型式認證合格之低功率射頻電機，非經許可，公司、商號或使用者均不得擅自變更頻率、加大功率或變更原設計之特性及功能。

第十四條 低功率射頻電機之使用不得影響飛航安全及干擾合法通信；經發現有干擾現象時，應立即停用，並改善至無干擾時方得繼續使用。前項合法通信，指依電信規定作業之無線電信。低功率射頻電機須忍受合法通信或工業、科學及醫療用電波輻射性電機設備之干擾。

A.7.2 HELPFUL WEB SITES

National Communications Commission (NCC): <http://www.ncc.gov.tw>

A.8 China

The BM20 module has received certification of conformity in accordance with the China MIIT Notice 2014-01 of State Radio Regulation Committee (SRRC) certification scheme. Integration of this module into a final product does not require additional radio certification, provided installation instructions are followed and no modifications of the module are allowed.

The BM23 module has received certification of conformity in accordance with the China MIIT Notice 2014-01 of State Radio Regulation Committee (SRRC) certification scheme. Integration of this module into a final product does not require additional radio certification, provided installation instructions are followed and no modifications of the module are allowed.

A.8.1 LABELING AND USER INFORMATION REQUIREMENTS

The BM20 module is labeled with its own CMIIT ID as follows:

CMIIT ID: 2015DJ7134

When Host system is using an approved Full Modular Approval (FMA) radio: The host should bear a label containing the statement “This device contains SRRC approved Radio module CMIIT ID XXXXYZZZ”.

The BM23 module is labeled with its own CMIIT ID as follows:

CMIIT ID: 2016DJ3553

When Host system is using an approved Full Modular Approval (FMA) radio: The host should bear a label containing the statement “This device contains SRRC approved Radio module CMIIT ID XXXXYZZZ”.

A.9 Other Regulatory Jurisdictions

Should other regulatory jurisdiction certification be required by the customer, or the customer need to recertify the module for other reasons, contact Microchip for the required utilities and documentation.



MICROCHIP

Worldwide Sales and Service

AMERICAS

Corporate Office

2355 West Chandler Blvd.
Chandler, AZ 85224-6199
Tel: 480-792-7200
Fax: 480-792-7277
Technical Support:
<http://www.microchip.com/support>
Web Address:
www.microchip.com

Atlanta

Duluth, GA
Tel: 678-957-9614
Fax: 678-957-1455

Austin, TX

Tel: 512-257-3370

Boston

Westborough, MA
Tel: 774-760-0087
Fax: 774-760-0088

Chicago

Itasca, IL
Tel: 630-285-0071
Fax: 630-285-0075

Cleveland

Independence, OH
Tel: 216-447-0464
Fax: 216-447-0643

Dallas

Addison, TX
Tel: 972-818-7423
Fax: 972-818-2924

Detroit

Novi, MI
Tel: 248-848-4000

Houston, TX

Tel: 281-894-5983

Indianapolis

Noblesville, IN
Tel: 317-773-8323
Fax: 317-773-5453

Los Angeles

Mission Viejo, CA
Tel: 949-462-9523
Fax: 949-462-9608

New York, NY

Tel: 631-435-6000

San Jose, CA

Tel: 408-735-9110

Canada - Toronto

Tel: 905-673-0699
Fax: 905-673-6509

ASIA/PACIFIC

Asia Pacific Office

Suites 3707-14, 37th Floor
Tower 6, The Gateway
Harbour City, Kowloon
Hong Kong
Tel: 852-2943-5100
Fax: 852-2401-3431

Australia - Sydney

Tel: 61-2-9868-6733
Fax: 61-2-9868-6755

China - Beijing

Tel: 86-10-8569-7000
Fax: 86-10-8528-2104

China - Chengdu

Tel: 86-28-8665-5511
Fax: 86-28-8665-7889

China - Chongqing

Tel: 86-23-8980-9588
Fax: 86-23-8980-9500

China - Hangzhou

Tel: 86-571-8792-8115
Fax: 86-571-8792-8116

China - Hong Kong SAR

Tel: 852-2943-5100
Fax: 852-2401-3431

China - Nanjing

Tel: 86-25-8473-2460
Fax: 86-25-8473-2470

China - Qingdao

Tel: 86-532-8502-7355
Fax: 86-532-8502-7205

China - Shanghai

Tel: 86-21-5407-5533
Fax: 86-21-5407-5066

China - Shenyang

Tel: 86-24-2334-2829
Fax: 86-24-2334-2393

China - Shenzhen

Tel: 86-755-8864-2200
Fax: 86-755-8203-1760

China - Wuhan

Tel: 86-27-5980-5300
Fax: 86-27-5980-5118

China - Xian

Tel: 86-29-8833-7252
Fax: 86-29-8833-7256

China - Xiamen

Tel: 86-592-2388138
Fax: 86-592-2388130

China - Zhuhai

Tel: 86-756-3210040
Fax: 86-756-3210049

ASIA/PACIFIC

India - Bangalore

Tel: 91-80-3090-4444
Fax: 91-80-3090-4123

India - New Delhi

Tel: 91-11-4160-8631
Fax: 91-11-4160-8632

India - Pune

Tel: 91-20-3019-1500

Japan - Osaka

Tel: 81-6-6152-7160
Fax: 81-6-6152-9310

Japan - Tokyo

Tel: 81-3-6880-3770
Fax: 81-3-6880-3771

Korea - Daegu

Tel: 82-53-744-4301
Fax: 82-53-744-4302

Korea - Seoul

Tel: 82-2-554-7200
Fax: 82-2-558-5932 or
82-2-558-5934

Malaysia - Kuala Lumpur

Tel: 60-3-6201-9857
Fax: 60-3-6201-9859

Malaysia - Penang

Tel: 60-4-227-8870
Fax: 60-4-227-4068

Philippines - Manila

Tel: 63-2-634-9065
Fax: 63-2-634-9069

Singapore

Tel: 65-6334-8870
Fax: 65-6334-8850

Taiwan - Hsin Chu

Tel: 886-3-5778-366
Fax: 886-3-5770-955

Taiwan - Kaohsiung

Tel: 886-7-213-7830

Taiwan - Taipei

Tel: 886-2-2508-8600
Fax: 886-2-2508-0102

Thailand - Bangkok

Tel: 66-2-694-1351
Fax: 66-2-694-1350

EUROPE

Austria - Wels

Tel: 43-7242-2244-39
Fax: 43-7242-2244-393

Denmark - Copenhagen

Tel: 45-4450-2828
Fax: 45-4485-2829

France - Paris

Tel: 33-1-69-53-63-20
Fax: 33-1-69-30-90-79

Germany - Dusseldorf

Tel: 49-2129-3766400

Germany - Munich

Tel: 49-89-627-144-0
Fax: 49-89-627-144-44

Germany - Pforzheim

Tel: 49-7231-424750

Italy - Milan

Tel: 39-0331-742611
Fax: 39-0331-466781

Italy - Venice

Tel: 39-049-7625286

Netherlands - Drunen

Tel: 31-416-690399
Fax: 31-416-690340

Poland - Warsaw

Tel: 48-22-3325737

Spain - Madrid

Tel: 34-91-708-08-90
Fax: 34-91-708-08-91

Sweden - Stockholm

Tel: 46-8-5090-4654

UK - Wokingham

Tel: 44-118-921-5800
Fax: 44-118-921-5820