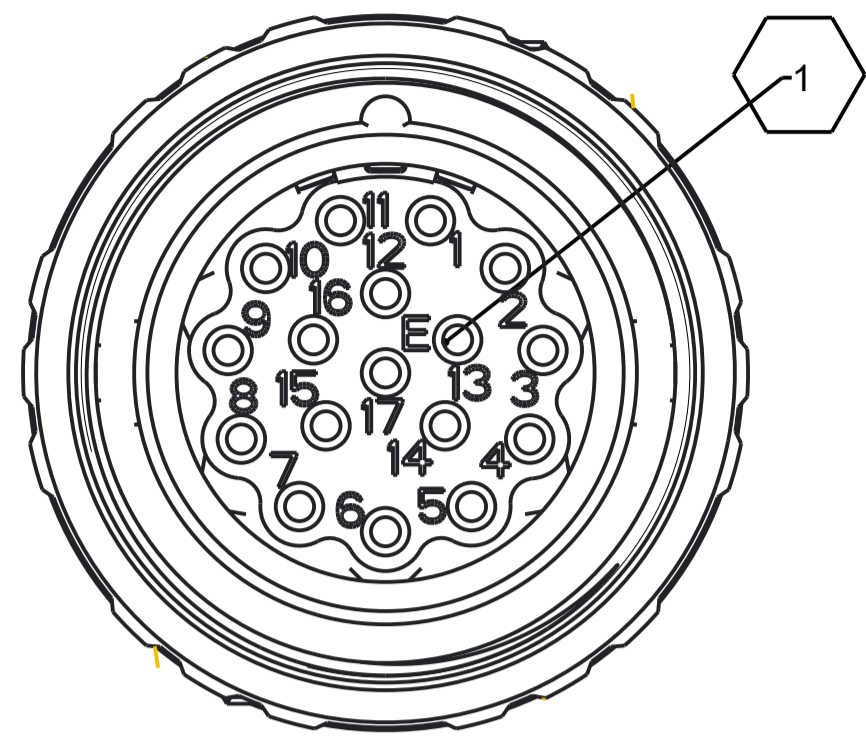
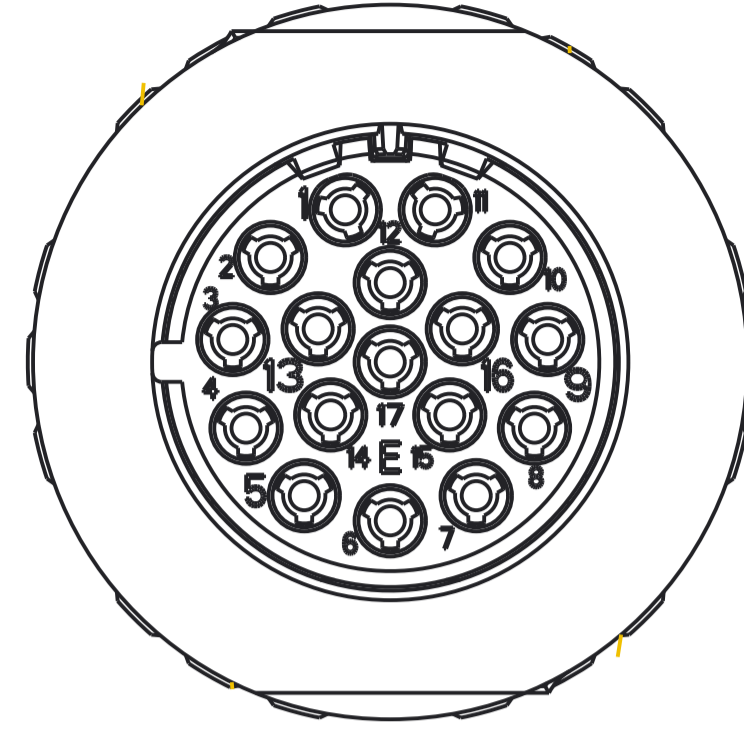


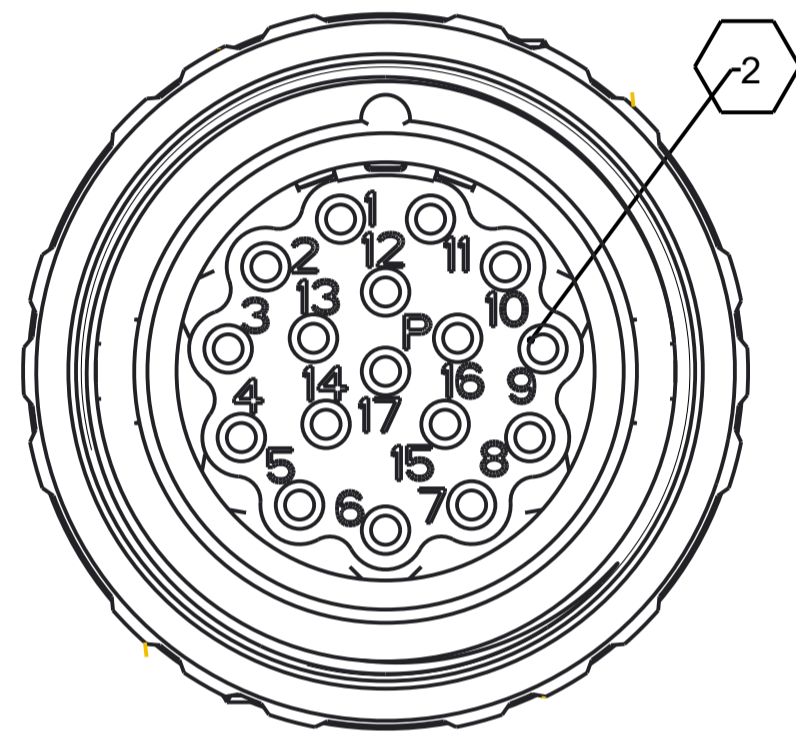
17-pin, Plug side, \* E-type (Clockwise)



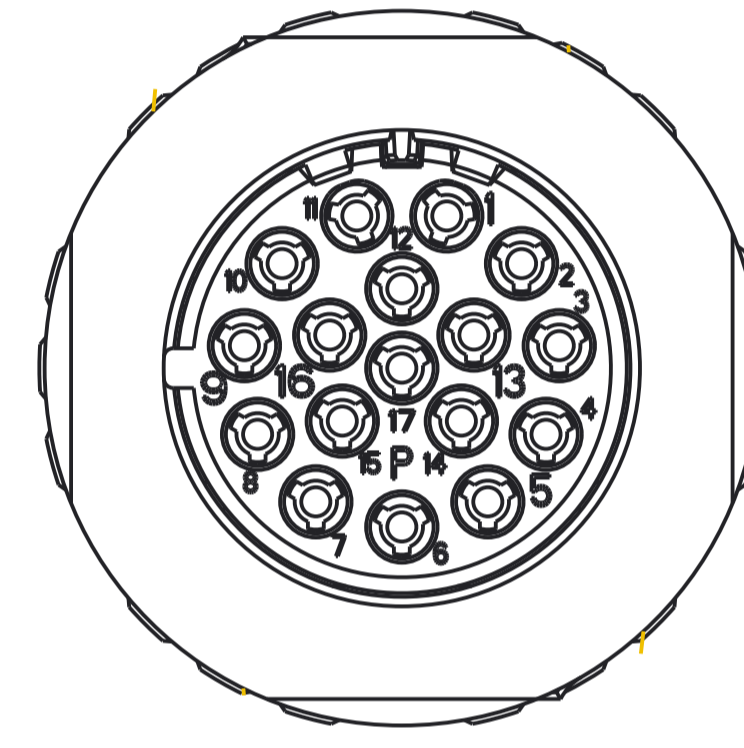
17-pin, Connecting side, \* E-type



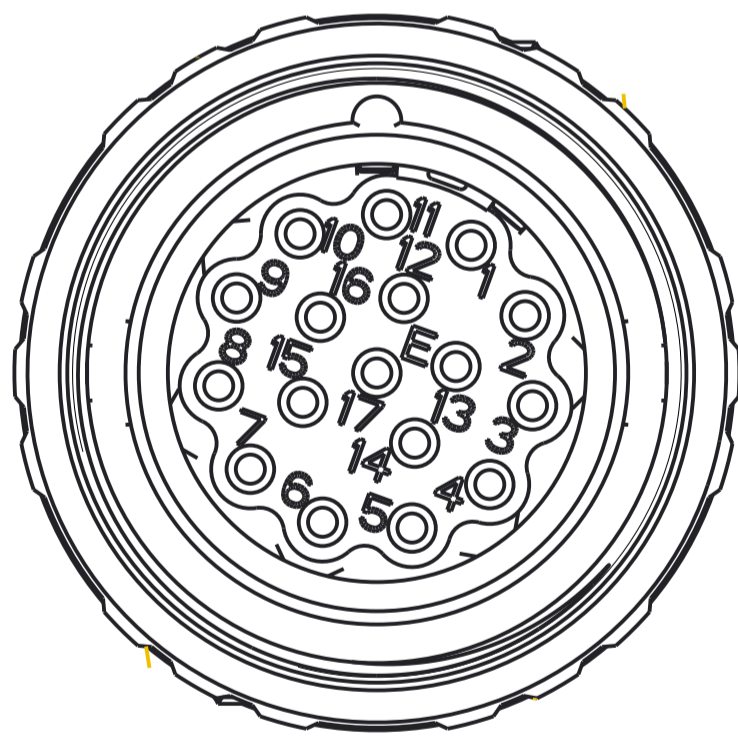
17-pin, Plug side, \* P-type (Counterclockwise)



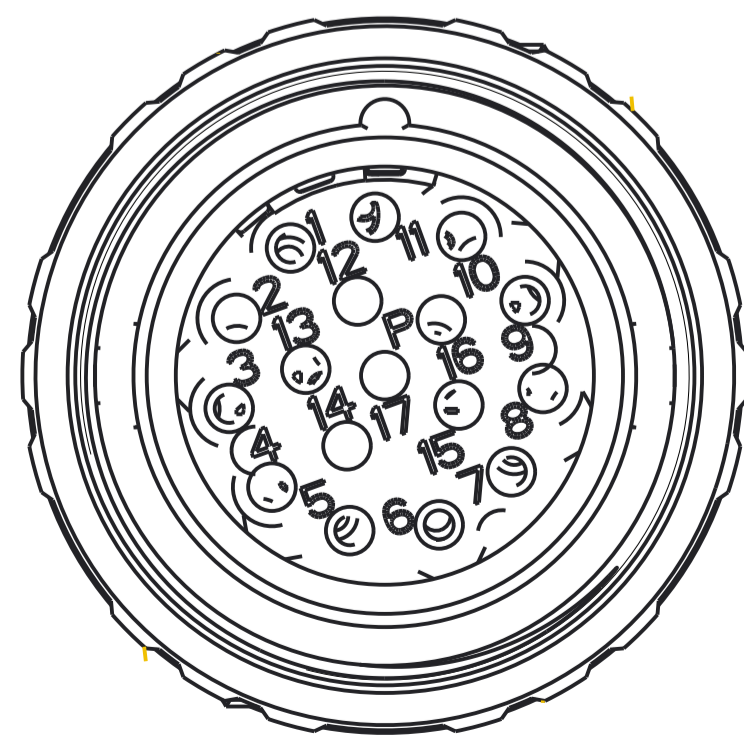
17-pin, Connecting side, \* P-type




17-pin, Plug side, \* E-type (Clockwise 20° rotation)

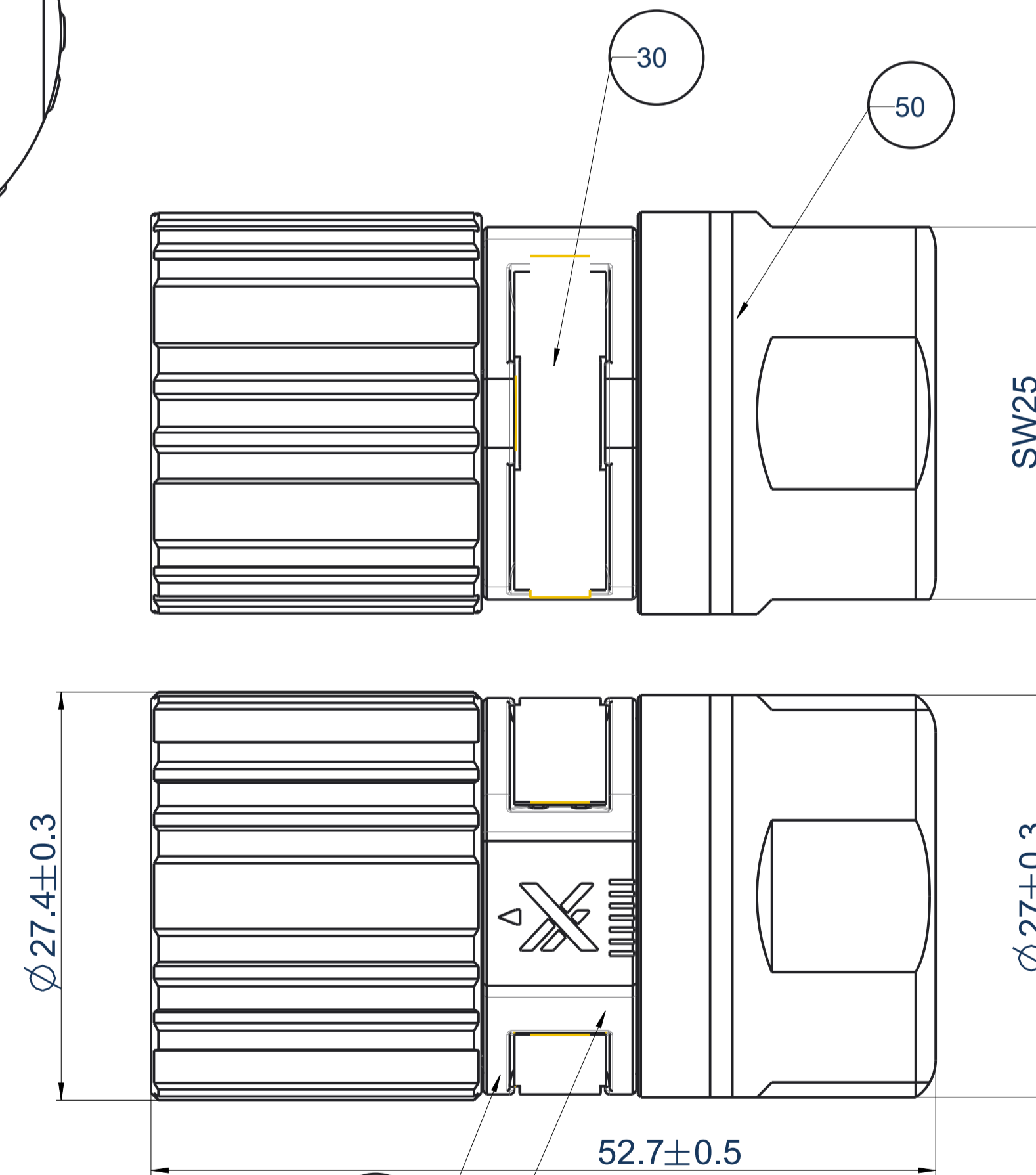


17-pin, Plug side, \* P-type (Counterclockwise 20° rotation)



surface  
 ≅ Cu 10-12 Ni 4 - 6 mt

\*Note:- 17-pin, Plug side "E- type (clockwise)"  
 "P-type (Counterclockwise)"



3 Contact Code

NNNN : without contacts

17-pin, Thread version, E-type (Clockwise)	
Part number	Clamping range
A1AF0217BNNNN100	3.5 mm to 5 mm
A1AF0317BNNNN100	4.5 mm to 7.5 mm
A1AF2417BNNNN100	6.5 mm to 10 mm
A1AF2517BNNNN100	9.0 mm to 12.5 mm
A1AF2617BNNNN100	12 mm to 15 mm
A1AF2717BNNNN100	14.5 mm to 16.7 mm

17-pin, Snap-X version, P-type (Counterclockwise)	
Part number	Clamping range
A1AH0217ANNNN100	3.5 mm to 5 mm
A1AH0317ANNNN100	4.5 mm to 7.5 mm
A1AH2417ANNNN100	6.5 mm to 10 mm
A1AH2517ANNNN100	9.0 mm to 12.5 mm
A1AH2617ANNNN100	12 mm to 15 mm
A1AH2717ANNNN100	14.5 mm to 16.7 mm

17-pin, Thread version, P-type (Counterclockwise)	
Part number	Clamping range
A1AF0217ANNNN100	3.5 mm to 5 mm
A1AF0317ANNNN100	4.5 mm to 7.5 mm
A1AF2417ANNNN100	6.5 mm to 10 mm
A1AF2517ANNNN100	9.0 mm to 12.5 mm
A1AF2617ANNNN100	12 mm to 15 mm
A1AF2717ANNNN100	14.5 mm to 16.7 mm

FRAA : with contact

17-pin, Thread version, P-type (Counterclockwise)	
Part number	Clamping range
A1AF0217AFRAA101	3.5 mm to 5 mm
A1AF0317AFRAA101	4.5 mm to 7.5 mm
A1AF2417AFRAA101	6.5 mm to 10 mm
A1AF2517AFRAA101	9.0 mm to 12.5 mm
A1AF2617AFRAA101	12 mm to 15 mm
A1AF2717AFRAA101	14.5 mm to 16.7 mm

17-pin, Snap-X version, P-type (Counterclockwise)	
Part Number	Clamping range
A1AH0217AFRAA101	3.5 mm to 5 mm
A1AH0317AFRAA101	4.5 mm to 7.5 mm
A1AH2417AFRAA101	6.5 mm to 10 mm
A1AH2517AFRAA101	9.0 mm to 12.5 mm
A1AH2617AFRAA101	12 mm to 15 mm
A1AH2717AFRAA101	14.5 mm to 16.7 mm

17-pin, Thread version, E-type (Clockwise)	
Part number	Clamping range
A1AF0217BFRAA101	3.5 mm to 5 mm
A1AF0317BFRAA101	4.5 mm to 7.5 mm
A1AF2417BFRAA101	6.5 mm to 10 mm
A1AF2517BFRAA101	9.0 mm to 12.5 mm
A1AF2617BFRAA101	12 mm to 15 mm
A1AF2717BFRAA101	14.5 mm to 16.7 mm

Part list				
ITEM	QTY	discription	material	surface/color
50	1	M23 clamp ring	ZnAl4Cu1	No
40	1	M23 Cable Clamp (inside)	PA 66/6 FKM	black black/green
30	2	M23 Wings	Grillon TS V0	black
20	1	M23 insulation insert (inside)	PA 66	black
10	1	M23 plug housing	ZnAl4Cu1	1

ISO 16016 Take care of guard coment!  
 Part must be confirm to Icotronix standard IX-0001

RELEASED 22-101-017-001 0

Scale 1,5 :1 Part Number See list

Description M23 plug, 17 -pin

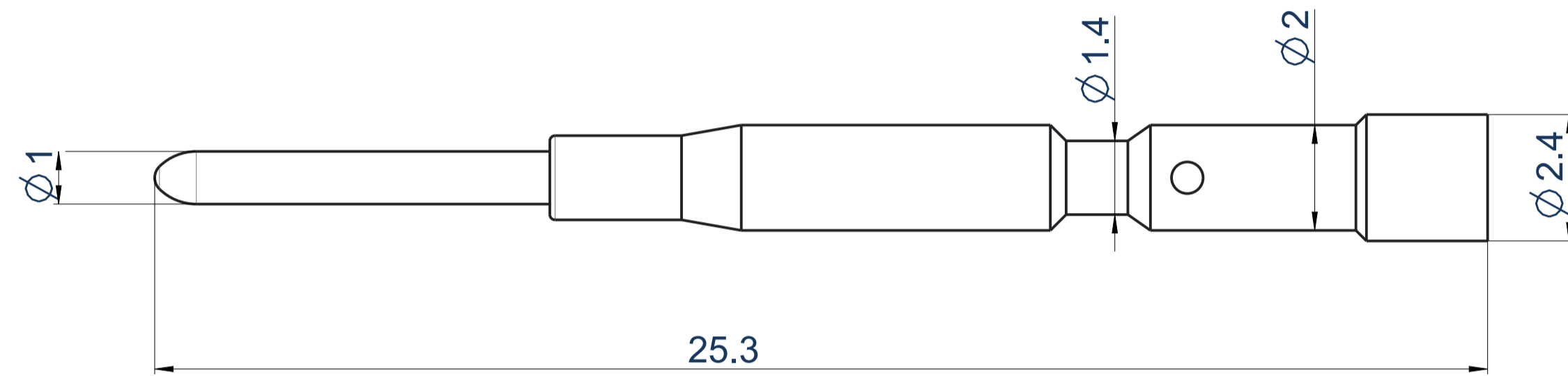
All dimensions without units in mm icotronix

TK USA

Drawn by 13.07.22 / Sunny  
 Checked by 15.07.22 / Sunny  
 Approved by

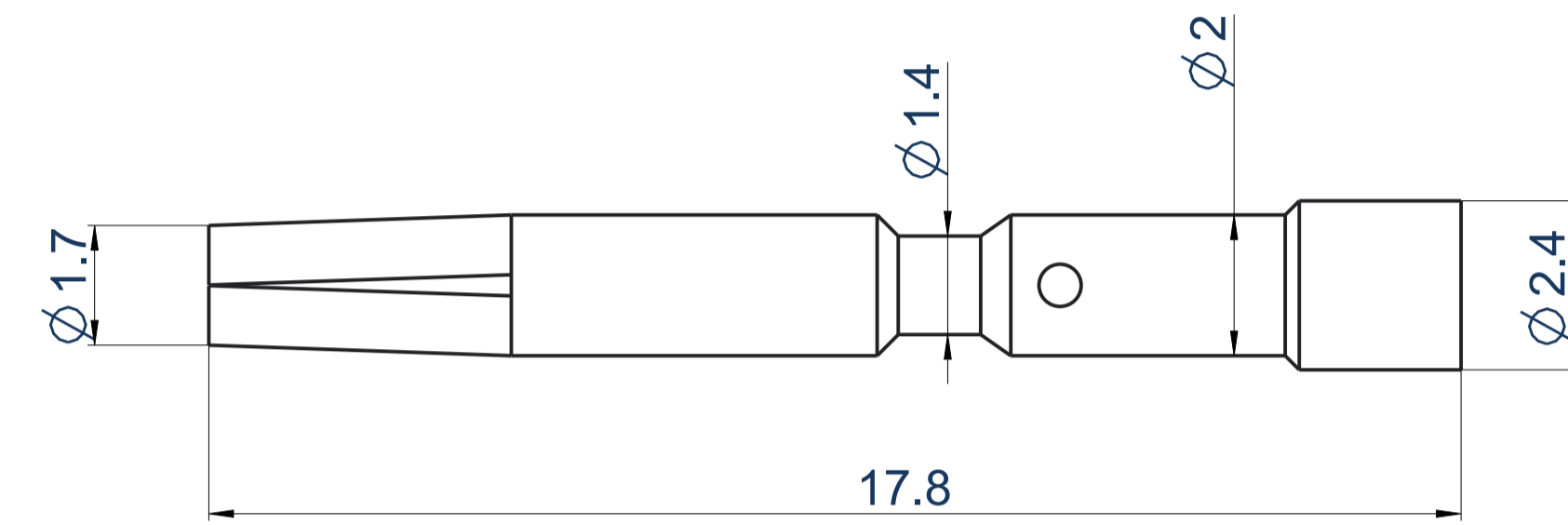
SURFACE 29320.613 mm<sup>2</sup>  
 VOLUMEN 19742.962 mm<sup>3</sup>  
 MASS 109.609 g

Signal Contact type:-  $\varnothing$ 1 mm, Pin



Crimping range  
0.14 - 1.0 mm<sup>2</sup>

Signal Contact type:-  $\varnothing$ 1 mm, Socket



Crimping range  
0.14 - 1.0 mm<sup>2</sup>

3 Contact Code

contact code	part number	contact type	crimping range	QTY
NNNN	-	-	-	0
MRAA	03-000001-01-22	$\varnothing$ 1mm - Pin	0.14 mm <sup>2</sup> to 1 mm <sup>2</sup>	17
MRAB	03-000001-012-22	$\varnothing$ 1mm - Pin	0.03 mm <sup>2</sup> to 0.34 mm <sup>2</sup>	17
FRAA	04-000001-01-22	$\varnothing$ 1mm - Socket	0.14 mm <sup>2</sup> to 1 mm <sup>2</sup>	17

NOTE  
 FRAA :- Female Contact  
 FRAB :- Female Contact  
 MRAA :- Male Contact  
 MRAB :- Male Contact

SURFACE 169.488 mm<sup>2</sup>  
 VOLUMEN 44.598 mm<sup>3</sup>  
 MASS 0.375 g

ISO 16016 Take care of guard coment! Part must be confirm to Icotronix standard IX-0001		RELEASED	22-101-017-001	0
		Scale	Part Number	
		1,5:1	See list	
Drawn by 13.07.22 / Sunny Changed by 15.07.22 / Sunny Checked by Approved by			Description	Sheet
			M23 plug, 17 -pin	1 From 2
All dimensions without units in mm				