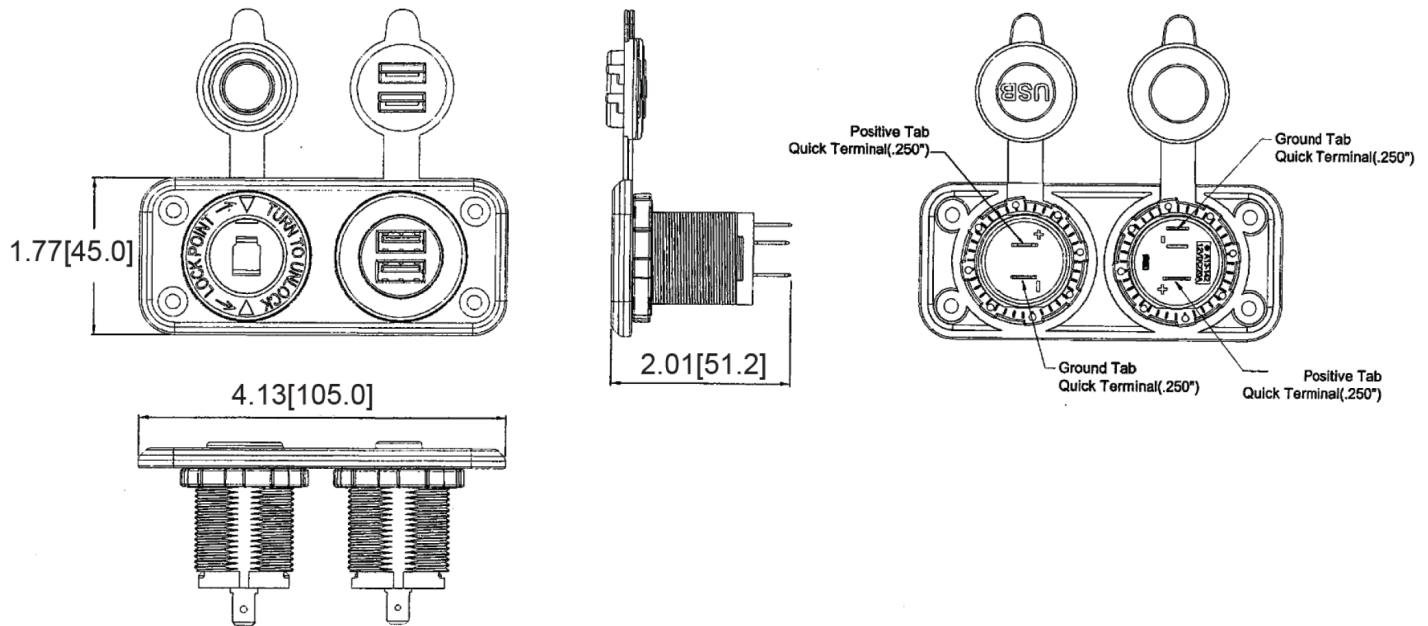
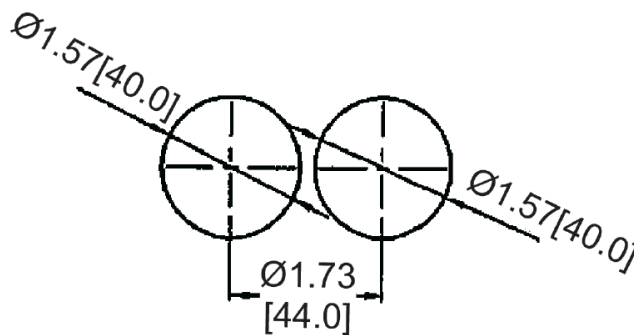


Mechanical Dimensions: Inches [mm]

Tolerances ± 0.012 [0.3] Unless Otherwise Specified



Mounting Hole



Electrical Specifications

Input Rating	12/24V
Output Rating	USB Socket: 5VDC 2.4A/2.4A Outlet Socket: 20A
Insulation Resistance	DC 500V 100M ohm Min
Dielectric Strength	AC 1500V 1 minute
Operation Temperature	0°C ~ 60°C

Material Specifications

	LED power indicator inside
Housing	Nylon with Fiberglass (UL94-HB), Black
Mounting plate	Nylon with Fiberglass (UL94-HB), Black
Surface Mounting Case	ABS

**Power Adapter USB
& Outlet Socket**

A1-P21USB2-1-B-PD-2.4A



Rev Date of issue Revision Notes

Designed Approved

A	02-22-2021	Initial Drawing	RC	OF
---	------------	-----------------	----	----