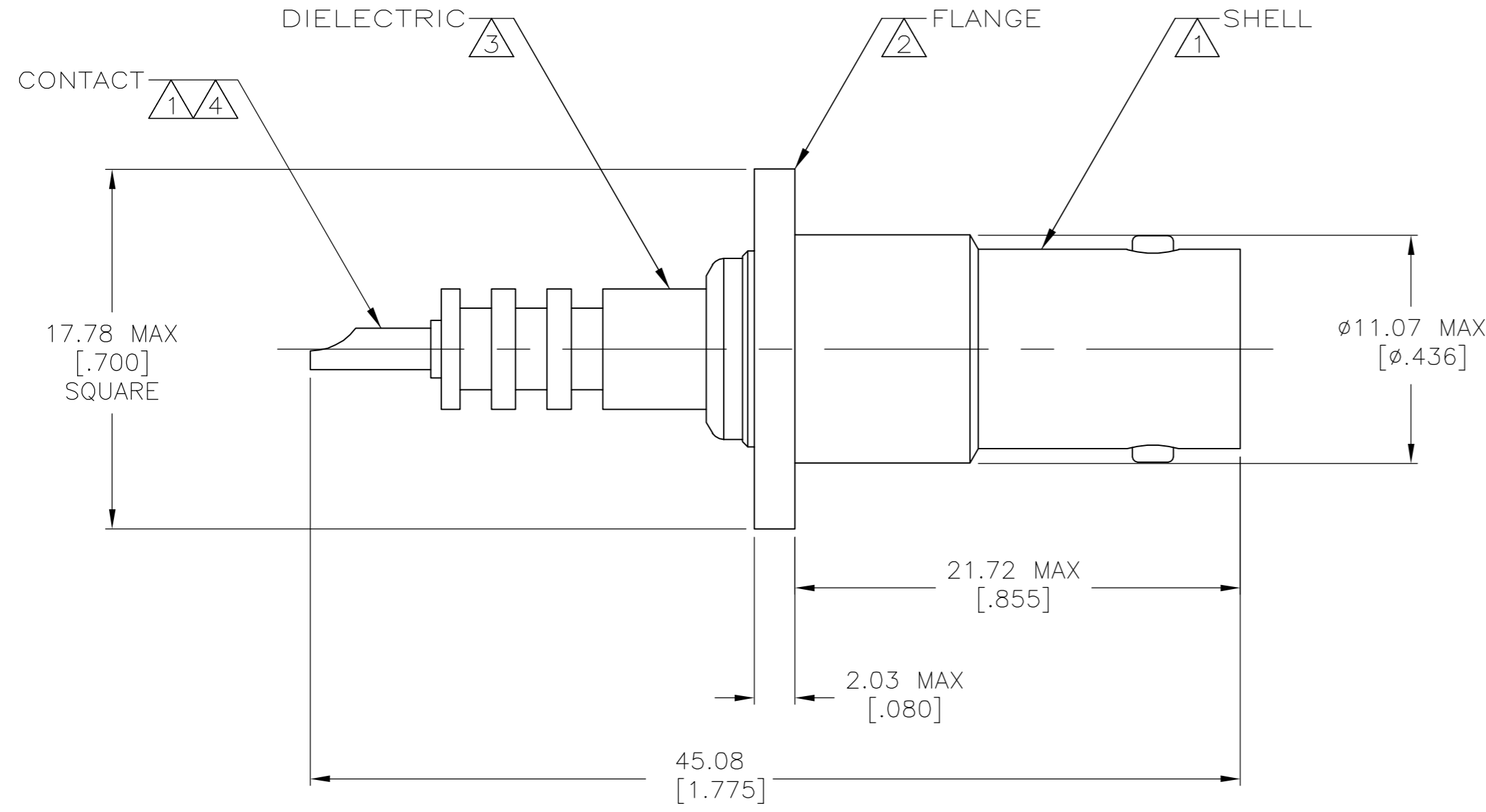
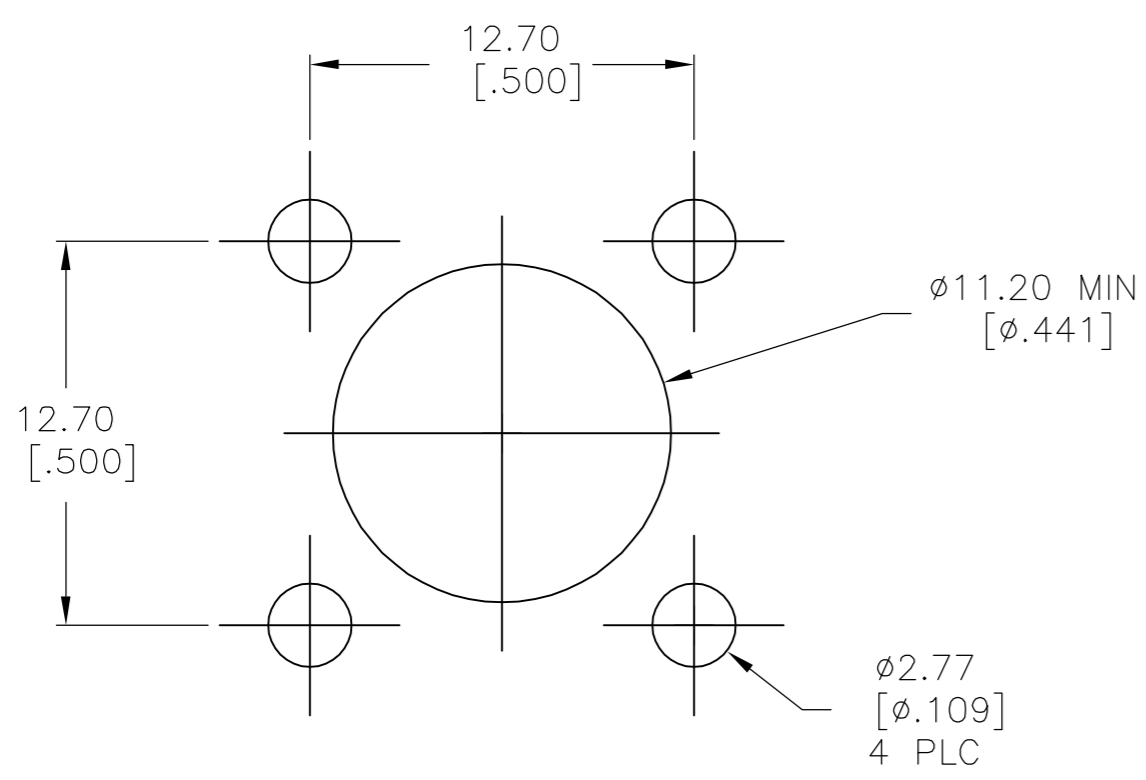


THIS DRAWING IS UNPUBLISHED. RELEASED FOR PUBLICATION
 © COPYRIGHT BY TYCO ELECTRONICS CORPORATION. ALL RIGHTS RESERVED.

LOC	DIST	REVISIONS			
P	LTR	DESCRIPTION	DATE	DWN	APVD
AJ	16	K	REVISED PER ECO-06-002381	13MAR2006	REH JL



- ① BRASS PER ASTM-B-16
- ② BRASS PER ASTM-B-36
- ③ PTFE PER MIL-P-19468
- ④ GOLD PLATE PER MIL-G-45204, 1.27µm [.000050] MIN THICKNESS
- ⑤ NICKEL PLATE PER QQ-N-290, 2.54µm [.000100] MIN THICKNESS
- ⑥ SILVER PLATE PER QQ-S-365, 2.54µm MIN THICKNESS
- 7. 4 HOLES IN FLANGE HAVE 3-56 UNF-2B THREAD



RECOMMENDED PANEL CUTOUT

SUPERSEDED BY 51421-2	⑤	⑤	51421-2
	⑥	⑥	51421-1
	FLANGE	SHELL	PART NUMBER
FINISH			

THIS DRAWING IS A CONTROLLED DOCUMENT.		DWN	M.E.COWHER	20/SEPT/93	 Tyco Electronics Corporation Harrisburg, PA 17105-3608
DIMENSIONS: mm [INCHES]		CHK	M.PHILLIPS	21/SEPT/93	
TOLERANCES UNLESS OTHERWISE SPECIFIED:		APVD	M.PHILLIPS	21/SEPT/93	
0 PLC ± - 1 PLC ± - 2 PLC ± 0.10 [.004] 3 PLC ± - 4 PLC ± - ANGLES ± - FINISH -		PRODUCT SPEC	NAME		
MATERIAL	-	WEIGHT	-	SIZE	A2
CUSTOMER DRAWING		SCALE	4:1	SHEET	1 of 1
				DRAWING NO	C=51421
				RESTRICTED TO	-
				REV	K