

6

5

4

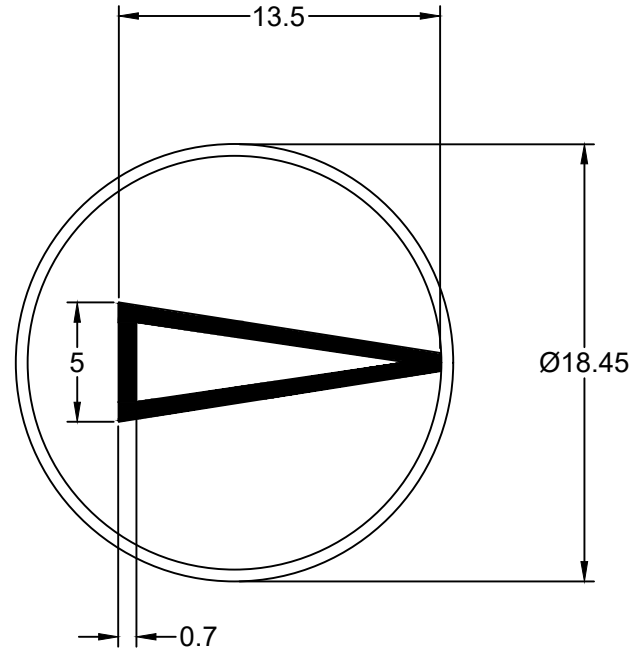
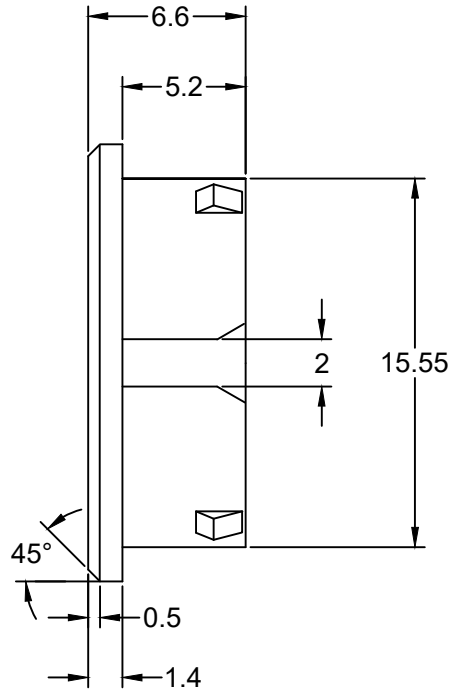
3

2

1

MATERIAL: Polyamide 6

RoHS
COMPLIANT



ORDERING CODE:
30-21-03X

CAP COLOR (X)
 1=LT GRAY
 2=GRAY
 3=BLACK
 4=RED
 5=BLUE
 6=YELLOW
 7=GREEN

REVISIONS
CHANGE
CHK
CHK
APPR
REV
DATE

TOLERANCE UNLESS OTHERWISE SPECIFIED	
X ± 1	
X.X ± 0.4	
X.XX ± 0.13	
DRAWN BY: DF	DATE: 4/25/05
CHECK BY:	DATE:
APPR BY:	DATE:

Power Dynamics, Inc.	
Phone: 973 560-0019 Whippary, New Jersey Fax: 973 560-0076	
PART: STANDARD CAP WITH ARROW 21mm DIAMETER CAP	
PART #: 30-21-03X	
SIZE: A	ALL DIMENSIONS FOR REFERENCE ONLY DIMENSIONS ARE IN MILLIMETERS
SCALE: NTS	REV:

SHEET
1 of 1

6

5

4

3

2

1