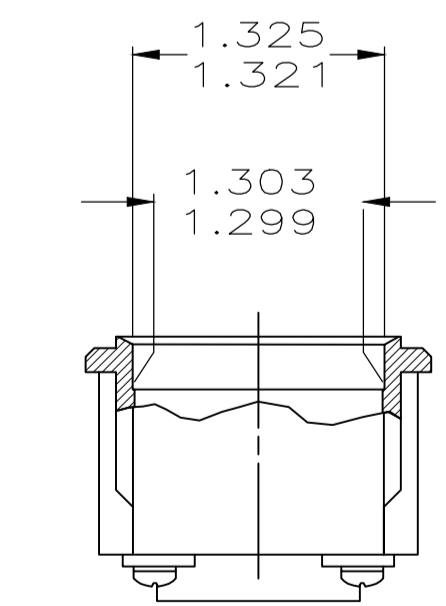
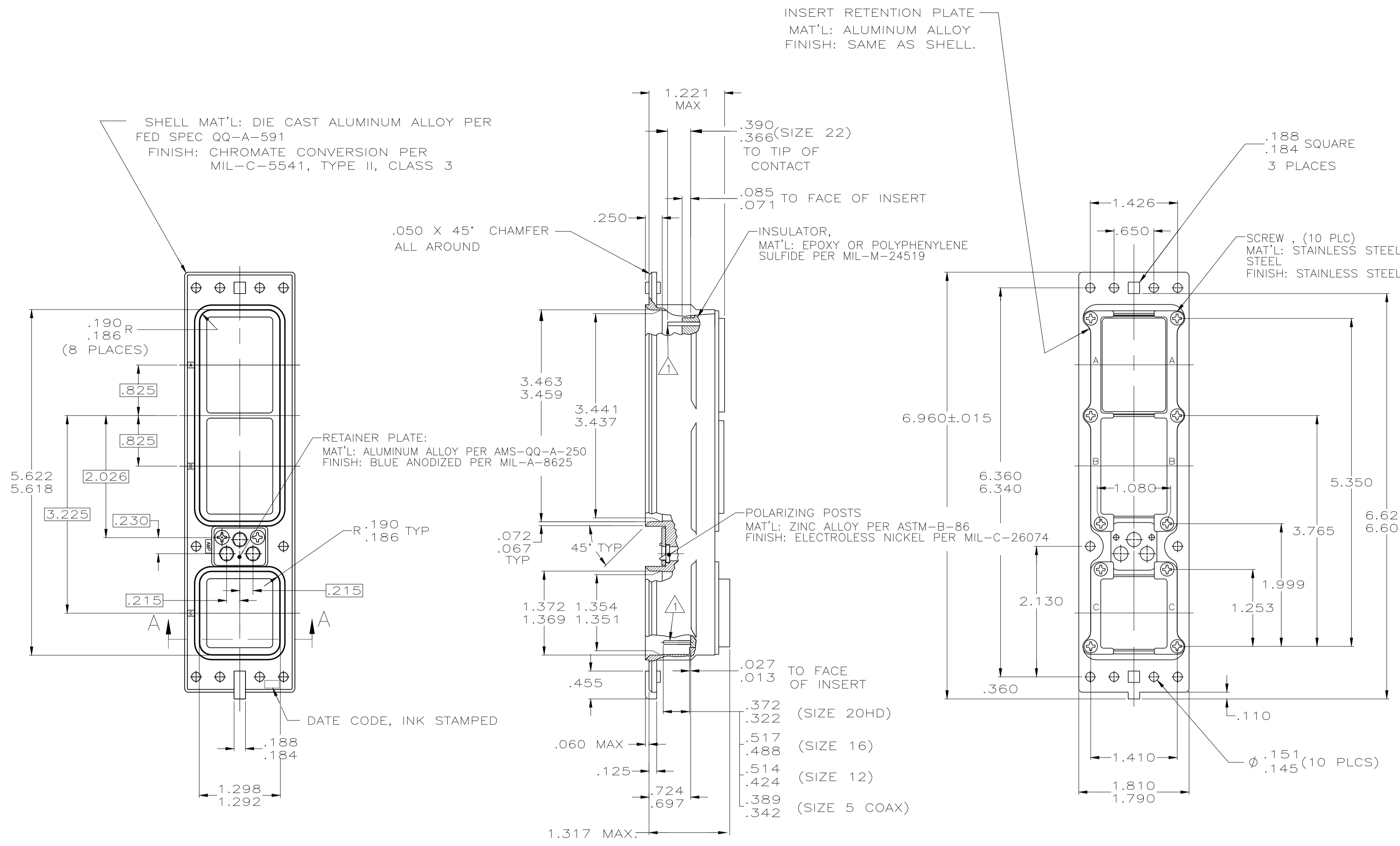


REVISIONS				
P	LTR	DESCRIPTION	DATE	APPV
S2	REVISED PER ECO-17-018523		19JAN2018	PHM CT



SECTION A-A
PARTIAL

REMARKS	DESCRIPTIVE NUMBER	PART NUMBER
PRELIMINARY NOT RELEASED FOR PRODUCTION	NIC66G23A05SF1	2-208970-8
PRELIMINARY NOT RELEASED FOR PRODUCTION	NIC66G23A05AA1	2-208970-7
-	NIC66G21A03AA0	2-208970-6
(G21A29CC1) W/DUST CAP	SPECIAL	2-208970-5
-	NIC66G21A05CC0	2-208970-4
-	NIC66G21A01CC0	2-208970-3
-	NIC66G21A02CC0	2-208970-2
C4/150/13C2 WITH CONTACTS & COAX	SPECIAL	2-208970-1
-	ADVANCED PART NUMBER	2-208970-0
-	SPECIAL	1-208970-9
-	NIC66G21A01SC1	1-208970-8
-	NIC66G21A19AA0	1-208970-7
-	NIC66G26A01AA0	1-208970-6
-	NIC66G51A01AA0	1-208970-5
-	NIC66G21A00AA0	1-208970-4
-	NIC66G21A02AA0	1-208970-3
-	NIC66G21A02AA1	1-208970-2
-	NIC66G21A01CA0	1-208970-1
-	NIC66G21A09CC0	1-208970-0
-	-	208970-9
BLANK/150/13C2 WITH CONTACTS	NIC66G51A01AA0	208970-8
-	ADVANCED PART NUMBER	208970-7
-	NIC66G21A01CC1	208970-6
-	NIC66G21A01BA1	208970-5
-	NIC66G21A01AA1	208970-4
-	NIC66G21A01SB1	208970-3
-	NIC66G21A01AC0	208970-2
-	NIC66G21A01AA0	208970-1

THIS DRAWING IS A CONTROLLED DOCUMENT. DIN C.C.THOMAS 4-23-01
 CHK S.GLATFELTER 4-23-01
 APPV S.GLATFELTER 4-23-01

STE TE Connectivity Ltd.

DIMENSIONS: INCHES TOLERANCES UNLESS OTHERWISE SPECIFIED:
 0 PLC ± -
 1 PLC ± -
 2 PLC ± -
 3 PLC ± .005
 4 PLC ± -
 ANGLES ± -

MATERIAL SEE CALLOUTS FINISH SEE CALLOUTS WEIGHT --

CUSTOMER DRAWING SCALE 1:1 SHEET 1 OF 1 REV S2

RECEPTACLE ASSY, SIZE 2, CLASS A, ARINC 600

SIZE CAGE CODE DRAWING NO. RESTRICTED TO
 A1 00779 C=208970