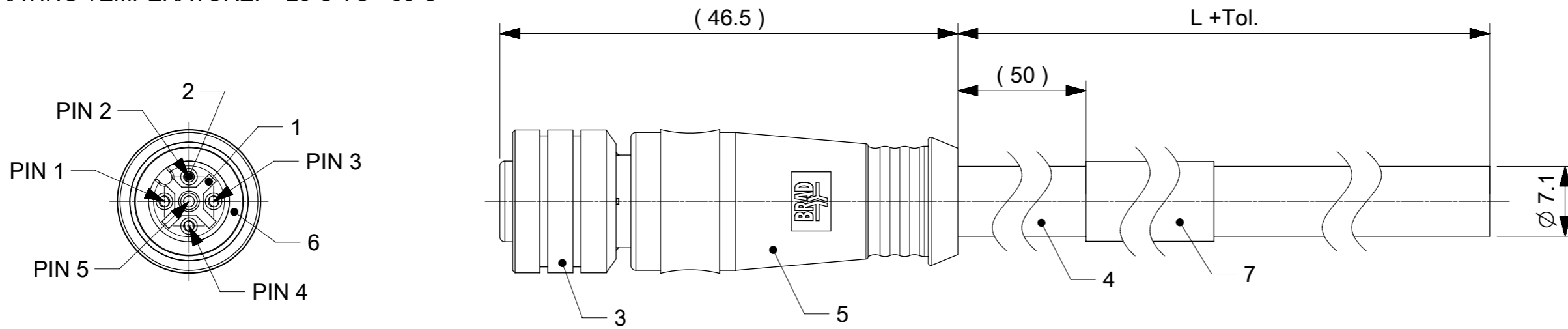
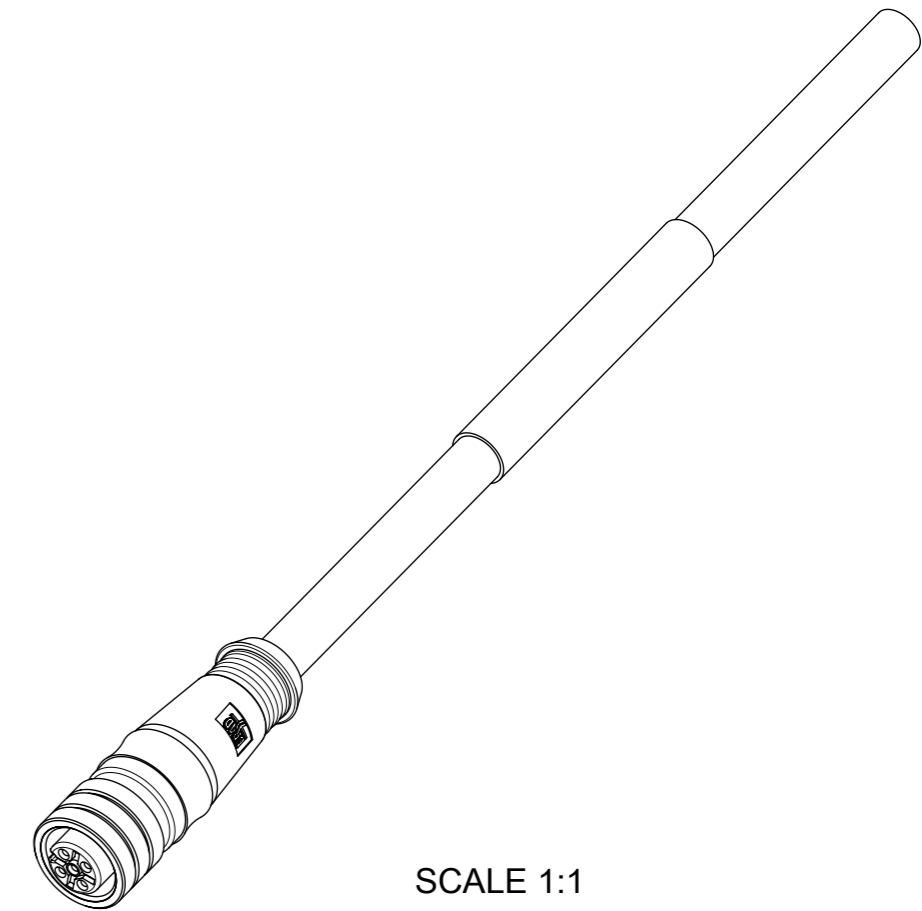
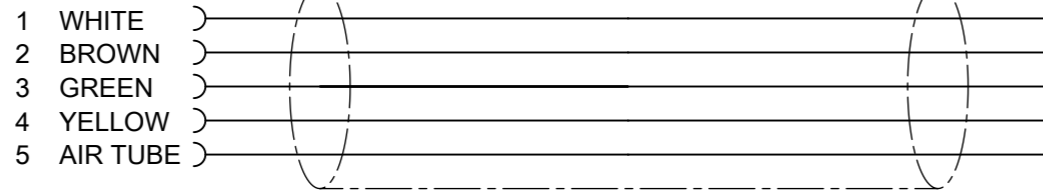


CONNECTOR SPECIFICATION

RATED VOLTAGE: 250 V AC/DC
 RATED CURRENT: 4 A
 PROTECTION: IP67
 OPERATING TEMPERATURE: -25°C TO +85°C



WIRING DIAGRAM



SCALE 1:1

TABLE 1

POS	QTY	DESCRIPTION	MATERIAL	FINISH
1	1	INSERT M12 FE 5P BK	ELASTOLLAN	-
2	4	CONTACT 10 FE	COPPER ALLOY	SELECTIVE GOLD OVER NICKEL
3	1	NUT M12 FE	BRASS	NICKEL PLATED
4	-	CABLE	SEE SHEET 2	-
5	-	OVERMOULDING MATERIAL BK	TPU	-
6	1	GASKET OR RD	FPM	-
7	1	LABEL	VINYL	-

THIS DRAWING CONTAINS INFORMATION THAT IS PROPRIETARY TO MOLEX ELECTRONIC TECHNOLOGIES, LLC AND SHOULD NOT BE USED WITHOUT WRITTEN PERMISSION										
QUALITY SYMBOLS	2016/07/12	2016/07/29	GENERAL TOLERANCES (UNLESS SPECIFIED)		DIMENSION UNITS	SCALE				
			4 PLACES	±	MM	2:1				
▽ = 0	EC NO: 106989 DRWN: FGAIK CHK'D: REV APPR: RSILLER	RSILLER	ANGULAR TOL ± 1.0 °		DRWN BY	DATE	CSE M12 5P AC FE STR XM SE UNSH BK			
▽ = 0			3 PLACES	±	FGAIK	2016/07/12				
▽ = 0			2 PLACES	± 0.05	CHK'D BY	DATE	PRODUCT CUSTOMER DRAWING			
▽ = 0			1 PLACE	± 0.3	APPR BY	DATE				
▽ = 0	0 PLACES	± 0.5	DRAFT WHERE APPLICABLE MUST REMAIN WITHIN DIMENSIONS		RSILLER	2016/07/29	SERIES	MATERIAL NUMBER	CUSTOMER	
▽ = 0	A	REV	A3		THIRD ANGLE PROJECTION		120065	SEE SHEET 2	GENERAL MARKET	
							DOCUMENT NUMBER	DOC TYPE	DOC PART	SHEET NUMBER
							1200659910	PSD	000	1 OF 2

ENGINEERING NO. - NUMERICAL CODE (Available parts see PART LIST table. Others on request).

OPTIONS

805 000 XXXM XXXX

80=M12x1
Single ended

Poles:
5=5 Poles

Heads style:
000=Plug Female straight

Cable type: See Table 3

Units:
M=Meter

Length
Examples:
005=0.5 units
010=1 units
100=10 units

Overmold color:
Blank (Standard)=Black
H= 2 pcs. of I/D Carrier PVC Transparent



TABLE 2

MOLEX PN	ENGINEERING NO.	L [mm]	Tol. [mm]
1200659910	805000EP2M006	600	+40
1200659911	805000EP2M010	1000	+40
1200659912	805000EP2M015	1500	+60
1200659913	805000EP2M020	2000	+60
1200659914	805000EP2M025	2500	+60
1200659915	805000EP2M030	3000	+60
1200659916	805000EP2M040	4000	+60
1200659917	805000EP2M050	5000	+60
1200659918	805000EP2M075	7500	+80
1200659919	805000EP2M100	10000	+80
1200659920	805000EP2M120	12000	+140
1200659921	805000EP2M150	15000	+140
1200659922	805000PP2M006	600	+40
1200659923	805000PP2M010	1000	+40
1200659924	805000PP2M015	1500	+60
1200659925	805000PP2M020	2000	+60
1200659926	805000PP2M025	2500	+60
1200659927	805000PP2M030	3000	+60
1200659928	805000PP2M040	4000	+60
1200659929	805000PP2M050	5000	+60
1200659930	805000PP2M075	7500	+80
1200659931	805000PP2M100	10000	+80
1200659932	805000PP2M120	12000	+140
1200659933	805000PP2M150	15000	+140

TABLE 3

CABLE TYPE	NO. OF WIRES	CROSS SECTION	CABLE JACKET	UL	TEMPERATURE RANGE		SHIELD
					STATIC	FLEX	
EP2	4+air tube	0.25mm ²	PVC BLACK	UL 1731/2517	-25°C to +105°C	-5°C to +105°C	YES
PP2	4+air tube	0.25mm ²	PUR BLACK	UL 1729/20233	-40°C to +80°C	-25°C to +80°C	YES

<p>QUALITY SYMBOLS</p> <p>FA = 0</p> <p>FE = 0</p> <p>FP = 0</p> <p>FV = 0</p> <p>FC = 0</p> <p>FX = 0</p> <p>FS = 0</p> <p>FV = 0</p>	THIS DRAWING CONTAINS INFORMATION THAT IS PROPRIETARY TO MOLEX ELECTRONIC TECHNOLOGIES, LLC AND SHOULD NOT BE USED WITHOUT WRITTEN PERMISSION									
	<p>2016/07/12</p> <p>2016/07/29</p> <p>2016/07/29</p>	GENERAL TOLERANCES (UNLESS SPECIFIED)		DIMENSION UNITS	SCALE					
		ANGULAR TOL ± 1.0 °		MM	1:1					
		4 PLACES ±	DRWN BY		DATE					
		3 PLACES ±	FGAIK		2016/07/12					
		2 PLACES ± 0.05	CHK'D BY		DATE					
	1 PLACE ± 0.3	APPR BY		DATE	PRODUCT CUSTOMER DRAWING					
	0 PLACES ± 0.5	RSILLER		2016/07/29	SERIES	MATERIAL NUMBER	CUSTOMER			
	DRAFT WHERE APPLICABLE MUST REMAIN WITHIN DIMENSIONS		DRAWING SIZE	THIRD ANGLE PROJECTION	120065	SEE TABLE 2	GENERAL MARKET			
			A3		DOCUMENT NUMBER		DOC TYPE	DOC PART	SHEET NUMBER	
				1200659910		PSD	000	2 OF 2		