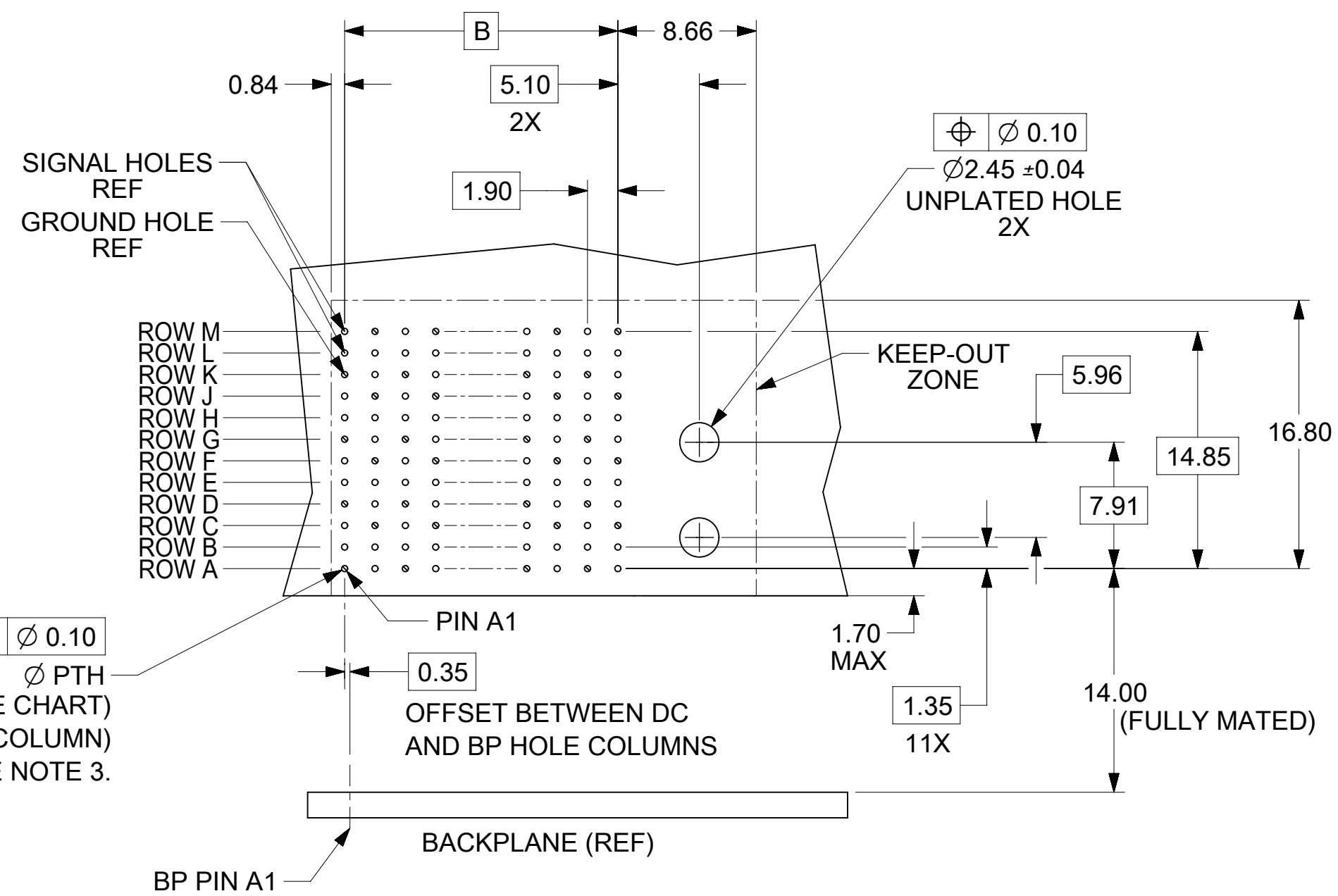
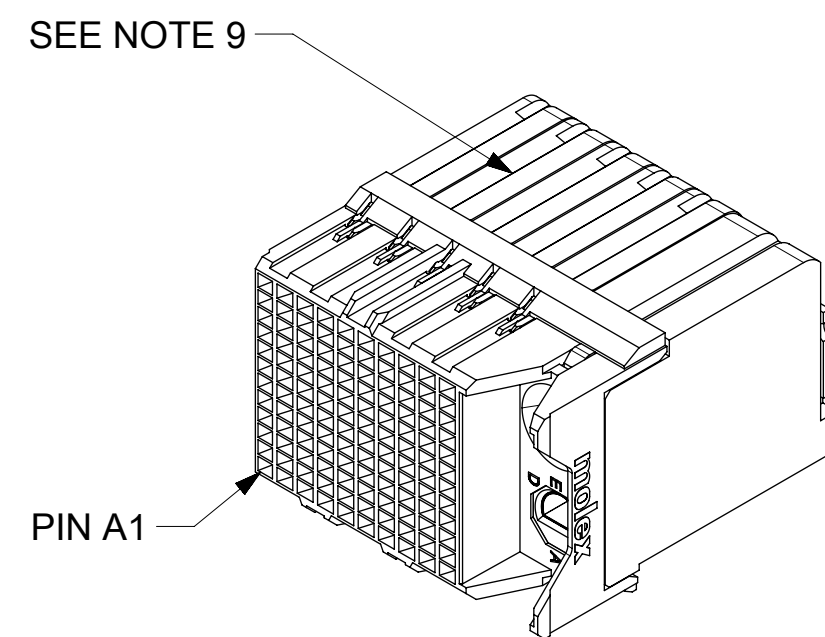
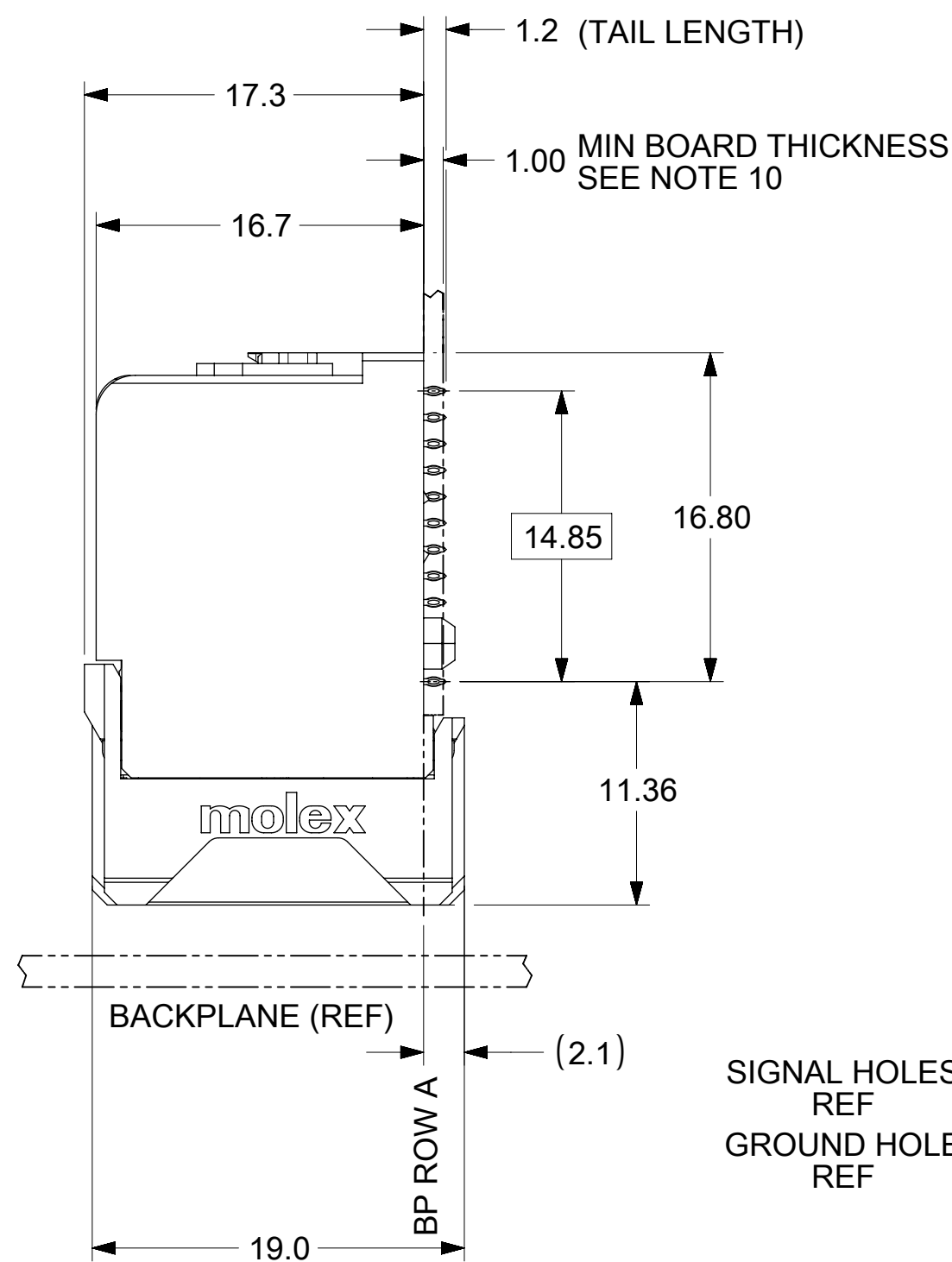


KEY SHOWN IN POSITION A



DAUGHTERCARD HOLE PATTERN (CONNECTOR SIDE)

NOTES:

1. MATERIALS: HOUSING - LIQUID CRYSTAL POLYMER (LCP), GLASS-FILLED, UL94V-0
TERMINALS - HIGH PERFORMANCE COPPER ALLOY
2. FINISH: 30µIN MIN SELECTIVE GOLD IN CONTACT AREA, SELECTIVE TIN ON PCB TAILS. NICKEL OVERALL.
3. REFER TO MOLEX PRODUCT SPEC PS-76060-999 FOR PERFORMANCE SPECIFICATIONS AND ADDITIONAL PCB INFORMATION.
4. EACH SIGNAL WAFER CONTAINS 2 COLUMNS OF TERMINALS.
5. PRODUCT IS PACKAGED PER PK-70873-610.
6. THIS PART CONFORMS TO CLASS B REQUIREMENTS OF COSMETIC SPEC PS-45499-002.
7. REFER TO MOLEX SALES DRAWING SD-76155-003 FOR THE MATING HEADERS AND SD-76500-002 FOR THE MATING RAM CONNECTORS
8. REFER TO MOLEX PCB MOUNTING GUIDE AS-76060-990 FOR ANTIPAD AND ROUTING RECOMMENDATIONS.
9. PART NUMBER 76160-5120 SHOWN ON DRAWING. KEYING FEATURES WILL CHANGE WITH COLUMN SIZE.
10. MINIMUM BOARD THICKNESS IS 1.00 mm FOR COMPLIANT PIN FUNCTIONALITY.
11. WHEN USING MOLEX SUPPLIED #2-32 SCREW 73726-0000 (9.50mm ±0.38 THREADABLE SCREW LENGTH), THE MAXIMUM BOARD THICKNESS IS 4.4mm.
12. MARKING: LOCATED APPROXIMATELY AS SHOWN. PART NUMBER AND DATE CODE.

THIS DRAWING CONTAINS INFORMATION THAT IS PROPRIETARY TO MOLEX ELECTRONIC TECHNOLOGIES, LLC AND SHOULD NOT BE USED WITHOUT WRITTEN PERMISSION

| DIMENSION UNITS | SCALE | CURRENT REV | DESC: MIGRATED TO NX |
|------------------------------------------------------|----------------------------------|-------------------|--------------------------------|
| mm | NTS | | |
| GENERAL TOLERANCES (UNLESS SPECIFIED) | | | |
| ANGULAR TOL | ± 0.5° | EC NO: | 622030 |
| 4 PLACES | ± | DRWN: | SKRISHNAMU01 2019/07/30 |
| 3 PLACES | ± | CHK'D: | PRAMASWAMY 2019/08/07 |
| 2 PLACES | ± 0.13 | APPR: | SHONG 2019/08/08 |
| 1 PLACE | ± 0.25 | INITIAL REVISION: | |
| 0 PLACES | ± | DRWN: | MCARRANZA 2007/07/11 |
| | | APPR: | JLAURX 2007/07/11 |
| DRAFT WHERE APPLICABLE MUST REMAIN WITHIN DIMENSIONS | THIRD ANGLE PROJECTION | DRAWING | SERIES |
| | | C-SIZE | 76160 |
| DOCUMENT STATUS | | DOCUMENT NUMBER | DOC TYPE DOC PART REVISION |
| P1 | RELEASE DATE 2019/08/08 22:00:44 | SD-76160-004 | PSD 001 G4 |
| MATERIAL NUMBER | | CUSTOMER | SHEET NUMBER |
| SEE CHART | | GENERAL MARKET | 1 OF 2 |

| MATERIAL NUMBER | # OF COLUMNS | # OF DIFF PAIR | DIM "A" MAX | DIM "B" | PTH ϕ |
|-----------------|--------------|----------------|-------------|---------|--------------------|
| 76160-**06 | 6 | 24 | 19.00 | 9.50 | 0.46 ± 0.04 |
| 76160-**08 | 8 | 32 | 22.80 | 13.30 | |
| 76160-**10 | 10 | 40 | 26.60 | 17.10 | |
| 76160-**16 | 16 | 64 | 38.00 | 28.50 | |
| 76160-**06 | 6 | 24 | 19.00 | 9.50 | 0.39 ± 0.05 |
| 76160-**38 | 8 | 32 | 22.80 | 13.30 | |
| 76160-**20 | 10 | 40 | 26.60 | 17.10 | |
| 76160-**26 | 16 | 64 | 38.00 | 28.50 | |

76160-****

MODULE & TAIL PLATING TYPE
5 = RIGHT GUIDED LEAD-FREE

POLARIZATION KEY ORIENTATION

0 = NO KEY
1 = A 5 = E
2 = B 6 = F
3 = C 7 = G
4 = D 8 = H

OF COLUMNS
06 = 6 COL 0.46 PTH
08 = 8 COL 0.46 PTH
10 = 10 COL 0.46 PTH
16 = 16 COL 0.46 PTH
20 = 10 COL 0.39 PTH
26 = 16 COL 0.39 PTH
38 = 8 COL 0.39 PTH
36 = 6 COL 0.39 PTH

THIS DRAWING CONTAINS INFORMATION THAT IS PROPRIETARY TO MOLEX ELECTRONIC TECHNOLOGIES, LLC AND SHOULD NOT BE USED WITHOUT WRITTEN PERMISSION

| | | | | | | |
|------------------------------------------------------|------------------------|----------------------------------|------------|--------------------------------------------|----------------|--------------|
| DIMENSION UNITS | SCALE | CURRENT REV DESC: MIGRATED TO NX | | molex | | |
| mm | NTS | | | | | |
| GENERAL TOLERANCES (UNLESS SPECIFIED) | | EC NO: 622030 | | IMPACT 100 OHM DC | | |
| ANGULAR TOL | $\pm 0.5^\circ$ | DRWN: SKRISHNAMU01 | 2019/07/30 | 4 PAIR SIGNAL MODULE GUIDE RIGHT SALES DWG | | |
| 4 PLACES | \pm | CHK'D: PRAMASWAMY | 2019/08/07 | PRODUCT CUSTOMER DRAWING | | |
| 3 PLACES | \pm | APPR: SHONG | 2019/08/08 | DOCUMENT NUMBER | | |
| 2 PLACES | ± 0.13 | INITIAL REVISION: | | SD-76160-004 | | |
| 1 PLACE | ± 0.25 | DRWN: MCARRANZA | 2007/07/11 | DOC TYPE | DOC PART | REVISION |
| 0 PLACES | \pm | APPR: JLAURX | 2007/07/11 | PSD | 001 | G4 |
| DRAFT WHERE APPLICABLE MUST REMAIN WITHIN DIMENSIONS | THIRD ANGLE PROJECTION | DRAWING | SERIES | MATERIAL NUMBER | CUSTOMER | SHEET NUMBER |
| | | C-SIZE | 76160 | SEE CHART | GENERAL MARKET | 2 OF 2 |

| | | | |
|-----------------|----|--------------|---------------------|
| DOCUMENT STATUS | P1 | RELEASE DATE | 2019/08/08 22:00:44 |
|-----------------|----|--------------|---------------------|