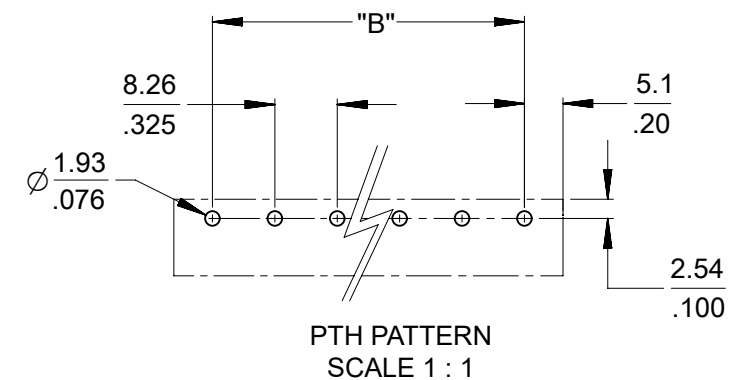
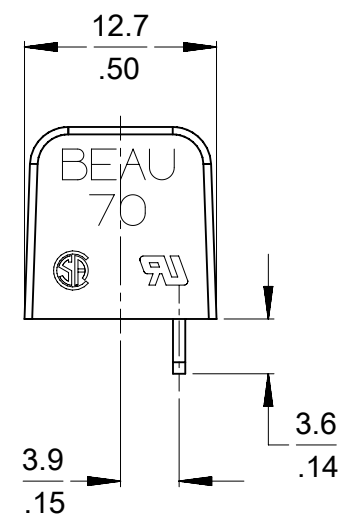
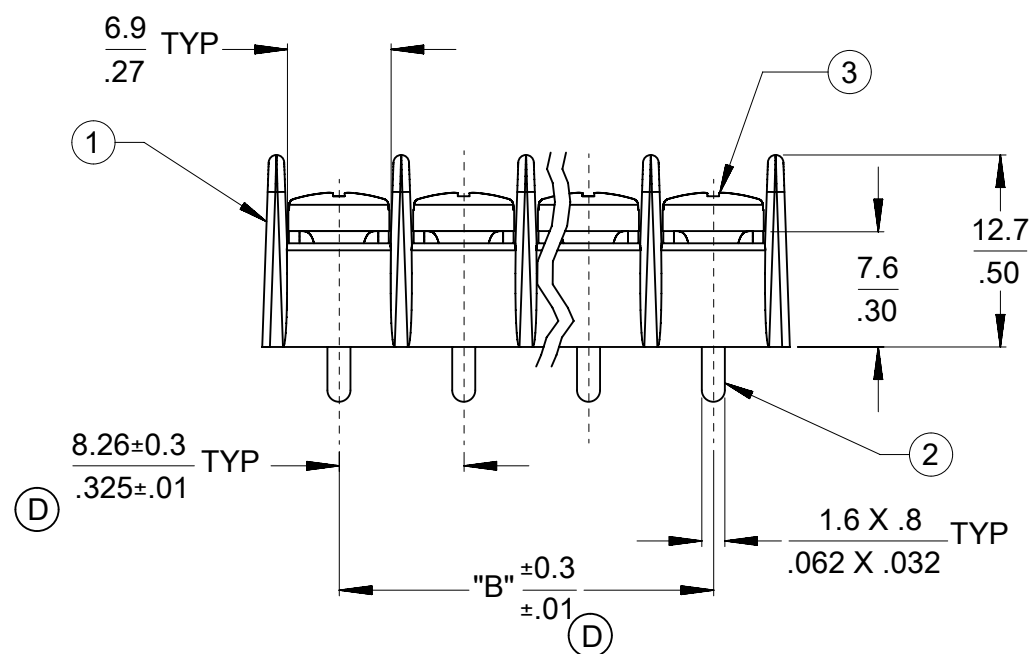


MARKING CAN BE ON BOTH SIDES OR ONE SIDE ONLY (D)



NOTES:

1. MATERIAL: SEE TABLE.
2. FINISHES: SEE TABLE.
3. "XX" REFERS TO THE QUANTITY OF CIRCUITS POSITIONS.
4. MATERIAL NUMBER 387090319 IS THE SAME AS MATERIAL NUMBER 387007516, EXCEPT BY THE SPECIAL PACKING.
5. ROHS COMPLIANT

ITEM	QTY	DESCRIPTION	MATERIAL	FINISH
5	"XX"	SCREW, #6-32, PAN HD, PH-SL, W/SQ WSHR (-50-92)	STEEL	ZN, NOKROM COATING
4	"XX"	SCREW, #6-32, PAN HD, PH-SL, W/SQ WSHR (-50)	STEEL	ZN, CLEAR CHROMATE
3	"XX"	SCREW, #6-32, PAN HD, PH-SL (STANDARD)	STEEL	ZN, CLEAR CHROMATE
2	"XX"	TERMINAL	BRASS	TIN
1	1	BARRIER	POLYESTER (PBT)	BLACK

THIS DRAWING CONTAINS INFORMATION THAT IS PROPRIETARY TO MOLEX ELECTRONIC TECHNOLOGIES, LLC AND SHOULD NOT BE USED WITHOUT WRITTEN PERMISSION

DIMENSION UNITS MM/IN	SCALE 2:1	CURRENT REV DESC: RETRACTED PART NUMBER AS PER SALES FORCE CASE#210356	molex		
GENERAL TOLERANCES (UNLESS SPECIFIED)		EC NO: 673696			
4 PLACES ±	±	DRWN: SUGEEB 2021/08/13	PRODUCT CUSTOMER DRAWING		
3 PLACES ±	± 0.005	CHK'D: GGA 2021/08/17	DOCUMENT NUMBER		
2 PLACES ± 0.13	± 0.01	APPR: GGA 2021/08/17	SD-38700-001		
1 PLACE ± 0.3	±	INITIAL REVISION:	DOC TYPE	DOC PART	REVISION
0 PLACES ±	±	DRWN: R. KEMP 2003/07/16	PSD	001	E1
ANGULAR TOL ± 2.0°	±	APPR: P. WALTZ 2003/07/17	MATERIAL NUMBER	CUSTOMER	SHEET NUMBER
DRAFT WHERE APPLICABLE MUST REMAIN WITHIN DIMENSIONS	THIRD ANGLE PROJECTION	DRAWING	SEE CHART	GENERAL MARKET	1 OF 2
		B-SIZE	38700		

NUMBER OF CIRCUITS "XX"	DIM "A"		DIM "B"		STANDARD MATERIAL NO.	-50 OPTION MATERIAL NO.	-50-92 OPTION MATERIAL NO.
	mm	in	mm	in			
01	10.2	.40	-	-	387006301	387007501	-
02	18.4	.73	8.26	.325	387006302	387007502	387090370
03	26.7	1.05	16.51	.650	387006303	387007503	-
04	34.9	1.38	24.77	.975	387006304	387007504	-
05	43.2	1.70	33.02	1.300	387006305		-
06	51.4	2.03	41.28	1.625	387006306	387007506	-
07	59.7	2.35	49.53	1.950	387006307	387007507	-
08	67.9	2.68	57.79	2.275	387006308	387007508	387090371
09	76.2	3.00	66.04	2.600	387006309	387007509	-
10	84.5	3.33	74.30	2.925	387006310	387007510	-
11	92.7	3.65	82.55	3.250	387006311	387007511	-
12	101.0	3.98	90.81	3.575	387006312	387007512	-
13	109.2	4.30	99.06	3.900	387006313	387007513	-
14	117.5	4.63	107.32	4.225	387006314	387007514	-
15	125.7	4.95	115.57	4.550	387006315	387007515	-
16	134.0	5.28	123.83	4.875	387006316	387007516	387090368
17	142.2	5.60	132.80	5.200	387006317	387007517	-
18	150.5	5.93	140.34	5.525	387006318	387007518	-
19	158.8	6.25	148.59	5.850	387006319	387007519	-
20	167.0	6.58	156.85	6.175	387006320	387007520	-
21	175.3	6.90	165.10	6.500	387006321	387007521	-
22	183.5	7.23	173.36	6.825	387006322	387007522	-
23	191.8	7.55	181.61	7.150	387006323	387007523	-
24	200.0	7.88	189.87	7.475	387006324	387007524	387090372
25	208.3	8.20	198.12	7.800	387006325	387007525	-
26	216.5	8.53	206.38	8.125	387006326	387007526	-
27	224.8	8.85	214.63	8.450	387006327	387007527	-
28	233.0	9.18	222.89	8.775	387006328	387007528	-
29	241.3	9.50	231.14	9.100	387006329	387007529	-
30	249.6	9.83	239.40	9.425	387006330	387007530	387090373

MAT. #387090319 IS THE SAME AS 387007516 (SEE NOTE 4, SHEET #1)

THIS DRAWING CONTAINS INFORMATION THAT IS PROPRIETARY TO MOLEX ELECTRONIC TECHNOLOGIES, LLC AND SHOULD NOT BE USED WITHOUT WRITTEN PERMISSION											
DIMENSION UNITS MM/IN		SCALE 2:1		CURRENT REV DESC: RETRACTED PART NUMBER AS PER SALES FORCE CASE#210356				molex		8.26/.325 SR BTS ASSY, PC, NO MTG ENDS	
GENERAL TOLERANCES (UNLESS SPECIFIED)				EC NO: 673696 DRWN: SUGEEB 2021/08/13 CHK'D: GGA 2021/08/17 APPR: GGA 2021/08/17							
4 PLACES ±		±		INITIAL REVISION:				DOCUMENT NUMBER		DOC TYPE DOC PART REVISION	
3 PLACES ±		± 0.005		DRWN: R. KEMP 2003/07/16				SD-38700-001		PSD 001 E1	
2 PLACES ±		± 0.13 ± 0.01		APPR: P. WALTZ 2003/07/17				SEE CHART		GENERAL MARKET	
1 PLACE ±		± 0.3 ±		DRAFT WHERE APPLICABLE MUST REMAIN WITHIN DIMENSIONS				B-SIZE		SHEET NUMBER	
0 PLACES ±		±		THIRD ANGLE PROJECTION				SERIES		2 OF 2	
ANGULAR TOL ± 2.0°				DRAWING				38700			