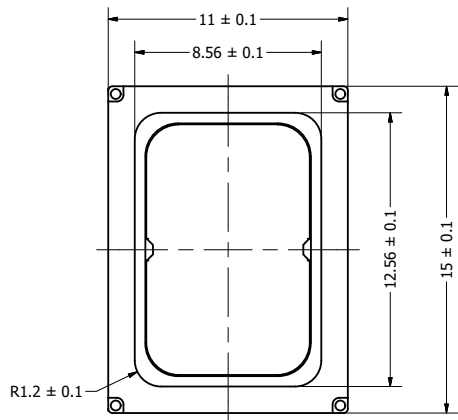
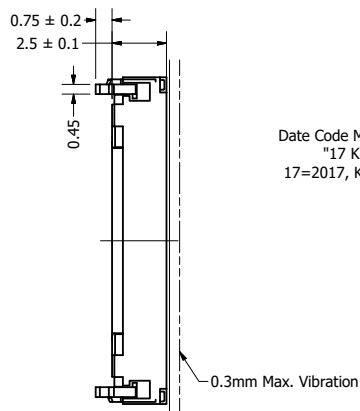


Part Number:	SM150808-8	
	DRAWN	11/10/2017
	CHECKED	11/20/2017
Description:	P.D.	
	APPROVED	11/20/2017
	C.E.	
<small>This document contains data proprietary to DB Unlimited. Any use or reproduction, in any form, without prior written permission of DB Unlimited is prohibited. All terms and conditions can be found at www.dbunlimitedco.com</small>		

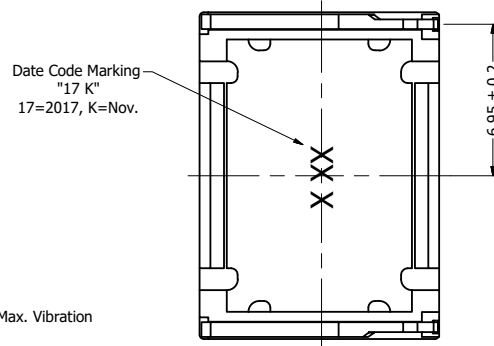
Top View



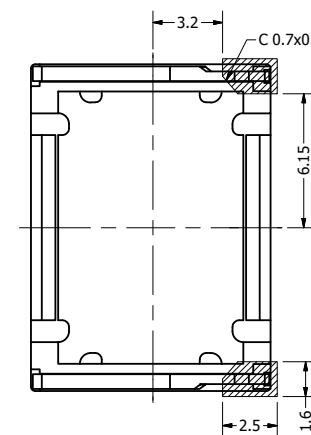
Side View (1)



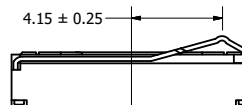
Bottom View



Recommended Land Pattern



Side View (2)



Items	Specifications	Conditions
Sound Pressure Level	93	dB (@ 10cm)
Resonant Frequency	850	Hz
Frequency Range	850 ~ 10,000	Hz
Nominal Power	1	W
Max. Power	1.5	W
Impedance	8	Ω
Cone Material	Polymer	
Mount Type	Flush Mount	
Storage Temperature	-40 ~ +85	°C
Operating Temperature	-40 ~ +85	°C
Weight	1.4	g

REVISION HISTORY			
REV	DESCRIPTION	DATE	APPROVED
1	Released from Engineering	11/20/2017	C.E.
2	Update Operating Temp	3/15/2018	C.E.
2	Update Operating Temp	3/22/2018	C.E.

- NOTES
- 1) All dimensions are in mm unless otherwise noted
 - 2) All tolerances are ± 0.15 mm unless otherwise noted
 - 3) All parts meet RoHS
 - 4) Subject to change or redrawn without notice