

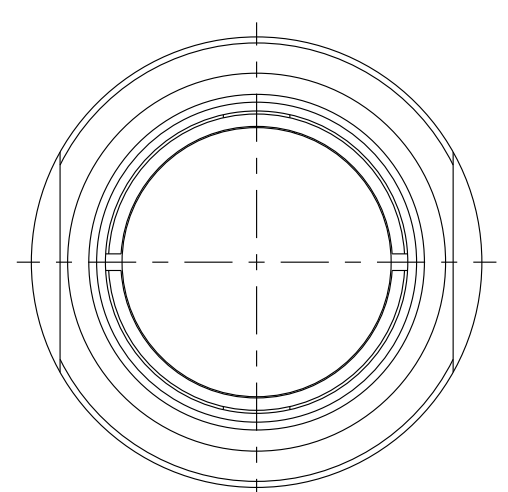
THIS DRAWING IS A CONTROLLED DOCUMENT FOR SOURIAU USA, INC. IT IS SUBJECT TO CHANGE WITHOUT NOTIFICATION. CONTACT THE DOCUMENT CONTROL CENTER FOR THE LATEST REVISION.

C

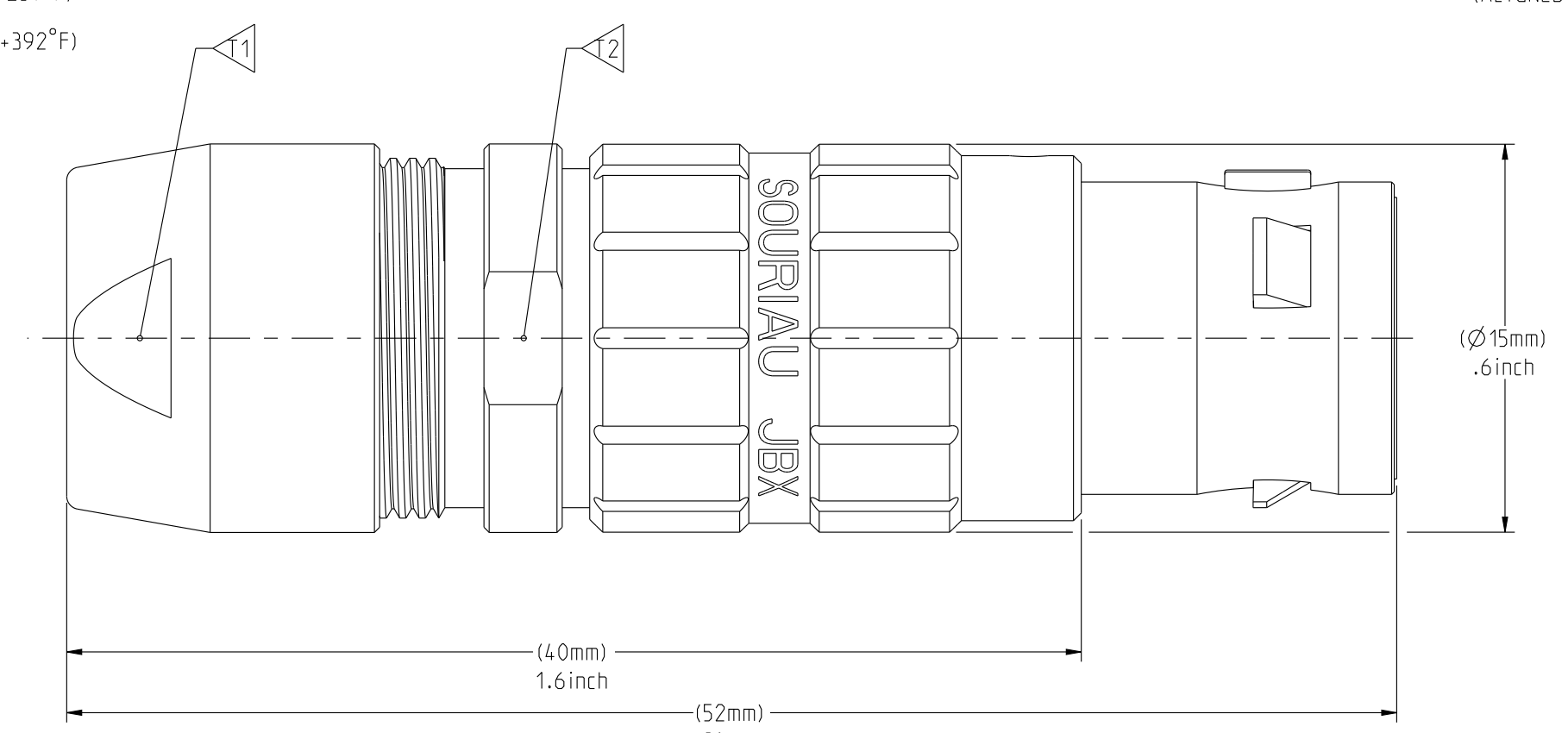
B

THE INFORMATION CONTAINED IN THIS DRAWING IS CONFIDENTIAL AND MAY NOT BE DISCLOSED WITHOUT WRITTEN CONSENT FROM SOURIAU USA, INC.

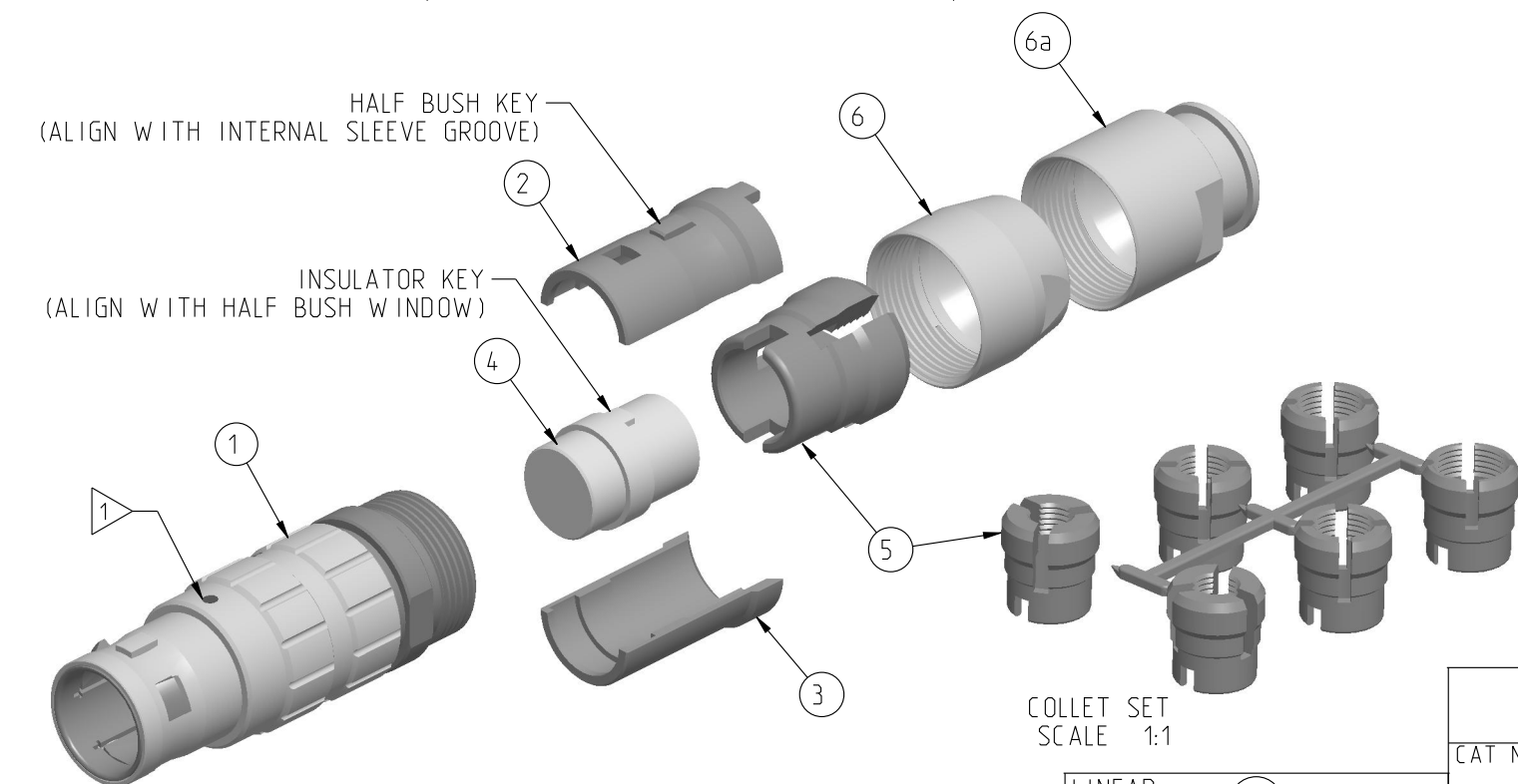
ELECTRICAL:
 EMI SHIELDING : SHIELDED FOR THE RANGE 55dB UP TO 100MHZ
 INSULATION RESISTANCE : >500MΩ PER ANSI-EIA-364-D METHOD 21
 MAX. CURRENT RATING : SEE INSULATOR DRAWING
 CONNECTOR TESTING VOLTAGE : SEE INSULATOR DRAWING
 CONNECTOR WORKING VOLTAGE : SEE INSULATOR DRAWING
PHYSICAL:
 MAXIMUM WIRE SIZE USED : SEE INSULATOR DRAWING
 CABLE DIAMETER WITH PLASTIC COLLET SET SUPPLIED: Ø3.5mm MIN. TO Ø9.7mm MAX.
ENVIRONMENTAL:
 ENDURANCE: 1000 CYCLES AS PER MIL-STD 1344A, METHOD 2016.1
 SHOCK: 50 g , DURATION 6 ms; AS PER MIL-STD 1344A, METHOD 2004.1
 VIBRATIONS: 10 TO 2000Hz g = 15g. AS PER MIL-STD 1344A, METHOD 2005.1
 PROTECTION INDEX: IP 40 AS PER CEI 529
 ROHS COMPLIANT
 SALT MIST : 48Hr PER SAE AS 1344 METHOD 1001.1 CEI 529
OPERATING TEMPERATURE:
 WITH PLASTIC COLLETS: -55°C TO +125°C (-67°F TO +257°F)
 WITH OPTIONAL METALLIC COLLETS: -55°C TO +200°C (-67°F TO +392°F) (ONLY ON REQUEST)



WIRE SIDE VIEW



(ASSEMBLED VIEW FOR INFORMATION ONLY)



SCALE 3:2

ORIGIN	COUNTRY	JURISDICTION	CLASSIFICATION
X	FR	Not listed	N/A
	US	EAR	ECCN =EAR99

These commodities, technology or software are exported from the United States in accordance with the Export Administration Regulations. Diversion contrary to U.S. law is prohibited.

LINEAR MEASURE: $\frac{mm}{(INCH)}$ $\frac{mm}{(INCH)}$

THIRD ANGLE PROJECTION

TOLERANCES UNLESS OTHERWISE SPECIFIED

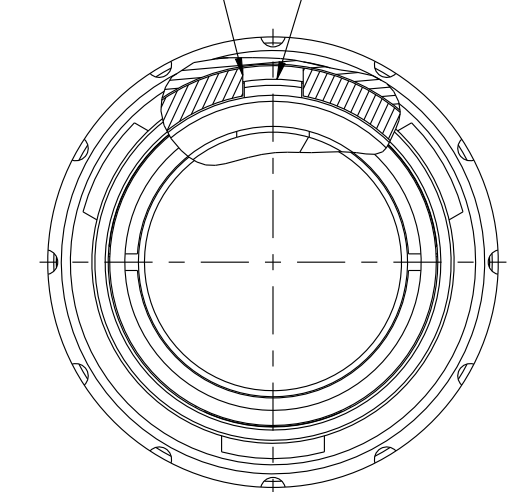
No. OF PLACES	mm [INCH]
WHOLE No.	±0.5 [±.02]
ONE PLACE	±0.2 [±.008]
TWO PLACES	±0.1 [±.004]

ANGLES ±1°

MASS (g)	VOLUME (mm ³)
24.4	4260

NOTES:
 1 RED DOT.
MATERIAL:
 OUTER SHELL & BACK NUT : } BRASS
 LATCHING SLEEVE : }
 HALF BUSHES : }
 COLLET : POLYAMIDE
FINISH:
 OUTER SHELL & BACK NUT : CHROME
 OTHER BRASS PARTS : NICKEL
TOOLS

SLEEVE GROOVE (ALIGNED WITH RED DOT)
 HALF BUSH KEY (ALIGN WITH SLEEVE GROOVE)



MATING SIDE VIEW

	TOOLS (JAW DIMENSION)	ADVISED TORQUE IN Nm
T1	13	1.5
T2	14	-

CATALOG NUMBER DESCRIPTION

JBX FD 2 XXXXX D S X

BASIC SERIES _____ **OPTION**
SHELL TYPE _____ **INSERT MATERIAL**
SHELL SIZE _____ **COLLET OPTION**
KEYING _____ **SURFACE PLATING**
SEE INSULATOR DRAWING

DRAWING TITLE: **JBX, SIZE 2, STRAIGHT PLUG**

CAT NO. **JBXFD2**

CAGE NO: 09922 SIZE: C

CUSTOMER

INTERPRET THIS DRAWING IN ACCORDANCE WITH ASME Y14.5M - 1994.

SOURIAU
www.souriau.com

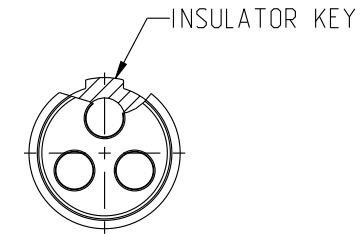
APPROVAL	DATE
DRAWN: SKV	01-08-15
CHKD: EV	01-08-15
DSGN: EV	01-08-15
MFG: DH	01-08-15
QC: BB	01-08-15

DRAWING SCALE: 4:1
 DRAWING NO. **JBXFD2C** REV **A**
 1 OF 1

DWG. NO.
JBX2INSFSC

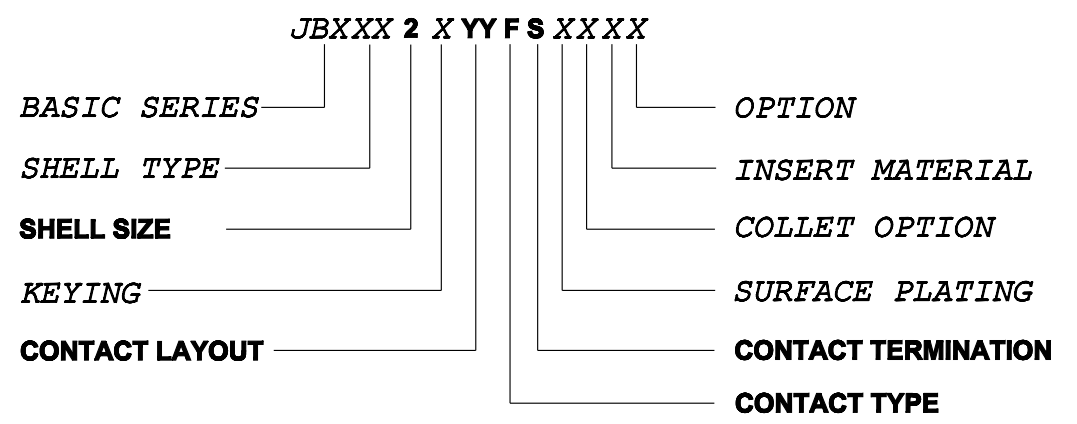
FEMALE INSULATOR, SOLDER CONTACT

CONTACT LAYOUT	02	03	04	05
FRONT SIDE VIEW				
REAR SIDE VIEW				
CONTACT				
ISO VIEW				
CONTACT	ØC	2	1.6	1.3
	ØF	1.9	1.5	1.1
	MAX. AWG	16	18	20
	MAX. CURRENT RATING (A)	30	17	15
INSULATOR	CONTACT RESISTANCE (mΩ)	2.5	2.5	3
	NUMBER OF CAVITY	2	3	4
	MAX. CURRENT RATING	30	17	15
	TEST VOLTAGE (Vrms)	2100	1700	2400
WORKING VOLTAGE (Vdc/Vrms)	1000/700	830/560	1000/700	900/630



CONTACT TYPE : F (FEMALE)
CONTACT TERMINATION : S (SOLDER)
MATERIAL :
 CONTACT: CUPRO-NICKEL
 CLIP: COPPER ALLOY
 INSULATOR: PEEK
FINISH :
 CONTACTS : GOLD

CATALOG NUMBER DESCRIPTION



THIS DRAWING IS A CONTROLLED DOCUMENT FOR SOURIAU USA, INC. IT IS SUBJECT TO CHANGE WITHOUT NOTIFICATION. CONTACT THE DOCUMENT CONTROL CENTER FOR THE LATEST REVISION.

THE INFORMATION CONTAINED IN THIS DRAWING IS CONFIDENTIAL AND MAY NOT BE DISCLOSED WITHOUT WRITTEN CONSENT FROM SOURIAU USA, INC.

CONTACT

INSULATOR

ORIGIN	COUNTRY	JURISDICTION	CLASSIFICATION
X	FR	Not listed	N/A
	US	EAR	ECCN =EAR99

These commodities, technology or software are exported from the United States in accordance with the Export Administration Regulations. Diversion contrary to U.S. law is prohibited.

LINEAR MEASURE: $\frac{mm}{INCH}$ mm (INCH)

THIRD ANGLE PROJECTION

TOLERANCES UNLESS OTHERWISE SPECIFIED

No. OF PLACES	mm [INCH]
ONE PLACE	±3 [±.1]
TWO PLACES	±0.5 [±.02]
THREE PLACES	±0.25 [±.010]

ANGLES ±1°

B	REVISED PER ECN 12286	RSK 06-10-15	EV 06-10-15
A	RELEASED PER ECN 12264	TJS 03-10-15	EV 03-10-15
REV	DESCRIPTION	BY DATE	CHKD DATE

DRAWING TITLE
JBX, SIZE 2, FEMALE INSULATOR, SOLDER CONTACT

CAT NO. **JBX2INSFS**

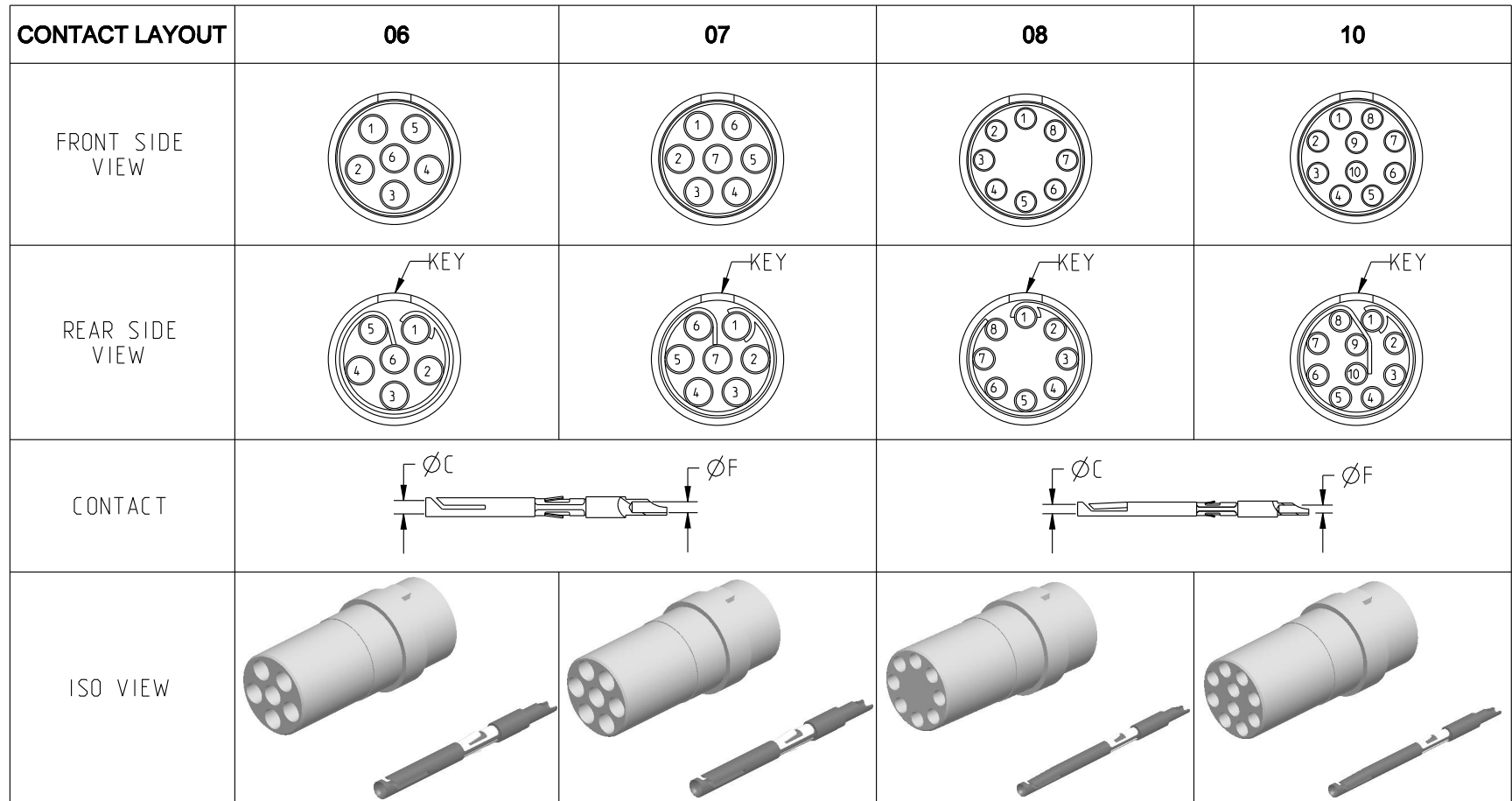
CAGE NO: 09922 SIZE: B

CUSTOMER	SOURIAU	APPROVAL	DRAWN: TJS	02-04-15
			CHKD : EV	02-04-15
INTERPRET THIS DRAWING IN ACCORDANCE WITH ASME Y14.5M - 1994.	WWW.SOURIAU.COM		DSGN : EV	02-04-15
			MFG : DH	02-04-15
			QC : BB	02-04-15
			DRAWING SCALE: NA	
			DRAWING NO.	REV
			JBX2INSFSC	B
			1 OF 3	

B

A

DWG. NO.
JBX2INSFSC



CONTACT	ØC	1.3	1.3	0.9	0.9
	ØF	1.1	1.1	0.8	0.8
	MAX. AWG	20	20	24	24
	MAX. CURRENT RATING (A)	15	15	10	10
INSULATOR	CONTACT RESISTANCE (mΩ)	3	3	3.5	3.5
	NUMBER OF CAVITY	6	7	8	10
	MAX. CURRENT RATING	12	11	10	8
	TEST VOLTAGE (Vrms)	1900	1500	1700	1700
WORKING VOLTAGE (Vdc/Vrms)	900/630	730/500	830/560	830/560	

DRAWING TITLE
JBX, SIZE 2, FEMALE INSULATOR, SOLDER CONTACT

CAT NO. **JBX2INSFS**

CAGE NO: 09922 SIZE: B

CUSTOMER	SOURIAU	APPROVAL	DRAWN: TJS	02-04-15
			CHKD : EV	02-04-15
			DSGN : EV	02-04-15
			MFG : DH	02-04-15
			QC : BB	02-04-15
WWW.SOURIAU.COM		DRAWING SCALE: NA		
		DRAWING NO.	REV	
		JBX2INSFSC	B	
		2 OF 3		

INTERPRET THIS DRAWING IN ACCORDANCE WITH ASME Y14.5M - 1994.

LINEAR MEASURE: $\frac{mm}{INCH}$ mm (INCH)

THIRD ANGLE PROJECTION

TOLERANCES UNLESS OTHERWISE SPECIFIED

No. OF PLACES	mm [INCH]
ONE PLACE	±3 [±.1]
TWO PLACES	±0.5 [±.02]
THREE PLACES	±0.25 [±.010]

ANGLES ±1°

ORIGIN	COUNTRY	JURISDICTION	CLASSIFICATION
X	FR	Not listed	N/A
	US	EAR	ECCN =EAR99

These commodities, technology or software are exported from the United States in accordance with the Export Administration Regulations. Diversion contrary to U.S. law is prohibited

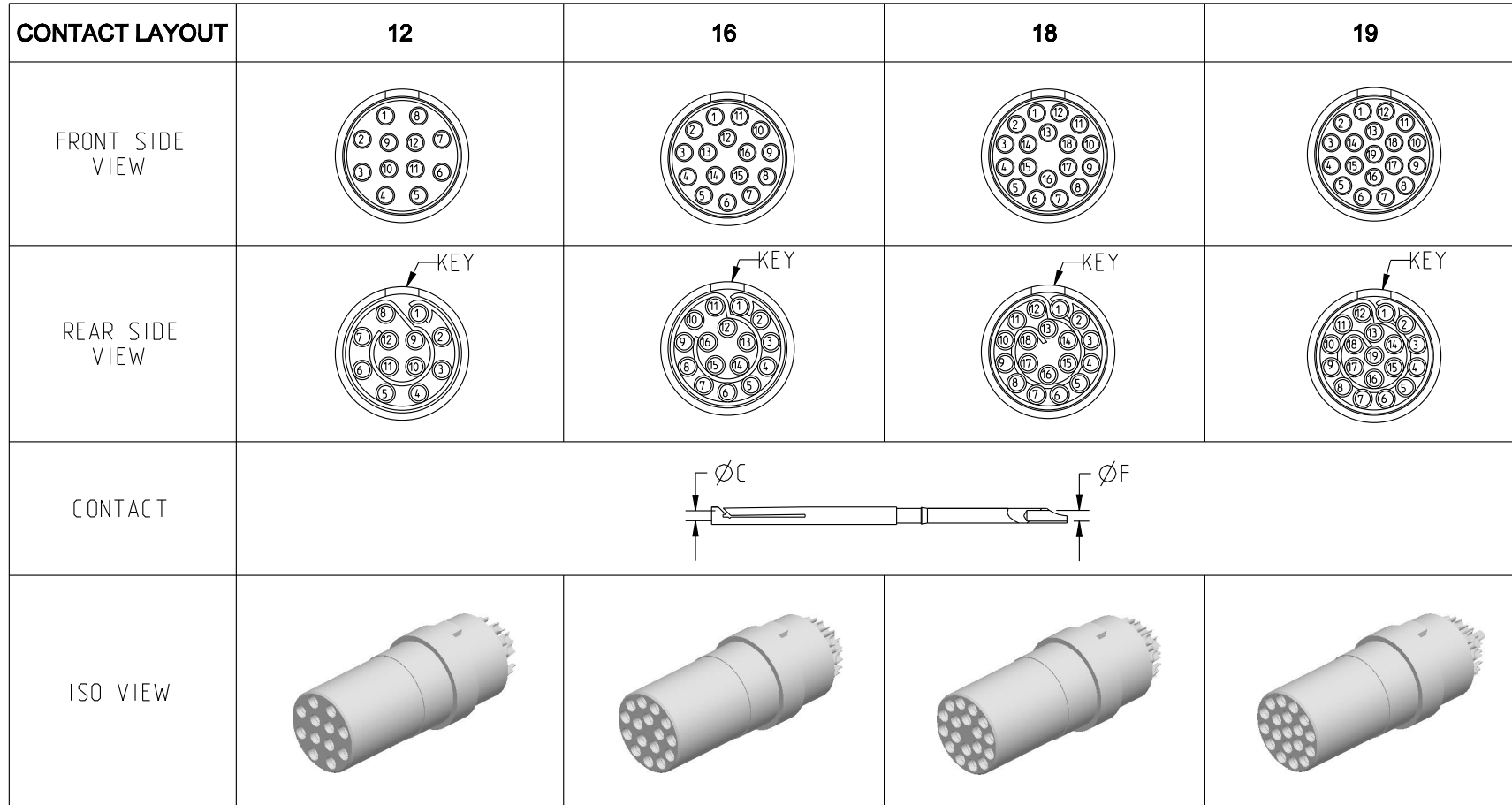
THIS DRAWING IS A CONTROLLED DOCUMENT FOR SOURIAU USA, INC. IT IS SUBJECT TO CHANGE WITHOUT NOTIFICATION. CONTACT THE DOCUMENT CONTROL CENTER FOR THE LATEST REVISION.

THE INFORMATION CONTAINED IN THIS DRAWING IS CONFIDENTIAL AND MAY NOT BE DISCLOSED WITHOUT WRITTEN CONSENT FROM SOURIAU USA, INC.

B

A

DWG. NO.
JBX2INSFSC



CONTACT	ØC	0.7	0.7	0.7	0.7
	ØF	0.81	0.81	0.81	0.81
	MAX. AWG	22	22	22	22
	MAX. CURRENT RATING (A)	7	7	7	7
INSULATOR	CONTACT RESISTANCE (mΩ)	5	5	5	5
	NUMBER OF CAVITY	12	16	18	19
	MAX. CURRENT RATING	7	6	5.5	5
	TEST VOLTAGE (Vrms)	1700	1500	1400	1400
WORKING VOLTAGE (Vdc/Vrms)	830/560	730/500	660/460	660/460	

THIS DRAWING IS A CONTROLLED DOCUMENT FOR SOURIAU USA, INC. IT IS SUBJECT TO CHANGE WITHOUT NOTIFICATION. CONTACT THE DOCUMENT CONTROL CENTER FOR THE LATEST REVISION.

THE INFORMATION CONTAINED IN THIS DRAWING IS CONFIDENTIAL AND MAY NOT BE DISCLOSED WITHOUT WRITTEN CONSENT FROM SOURIAU USA, INC.

B

A

DRAWING TITLE
JBX, SIZE 2, FEMALE INSULATOR, SOLDER CONTACT

CAT NO. **JBX2INSFS**

CAGE NO: 09922 SIZE: B

CUSTOMER	SOURIAU	APPROVAL	DRAWN: TJS	02-04-15
			CHKD : EV	02-04-15
			DSGN : EV	02-04-15
			MFG : DH	02-04-15
			QC : BB	02-04-15
WWW.SOURIAU.COM		DRAWING SCALE: NA		
		DRAWING NO.	REV	
		JBX2INSFSC	B	
		3 OF 3		

LINEAR MEASURE: $\frac{mm}{INCH}$ mm (INCH)

THIRD ANGLE PROJECTION

TOLERANCES UNLESS OTHERWISE SPECIFIED

No. OF PLACES	mm [INCH]
ONE PLACE	±3 [±.1]
TWO PLACES	±0.5 [±.02]
THREE PLACES	±0.25 [±.010]

ANGLES ±1°

ORIGIN	COUNTRY	JURISDICTION	CLASSIFICATION
X	FR	Not listed	N/A
	US	EAR	ECCN =EAR99

These commodities, technology or software are exported from the United States in accordance with the Export Administration Regulations. Diversion contrary to U.S. law is prohibited

INTERPRET THIS DRAWING IN ACCORDANCE WITH ASME Y14.5M - 1994.