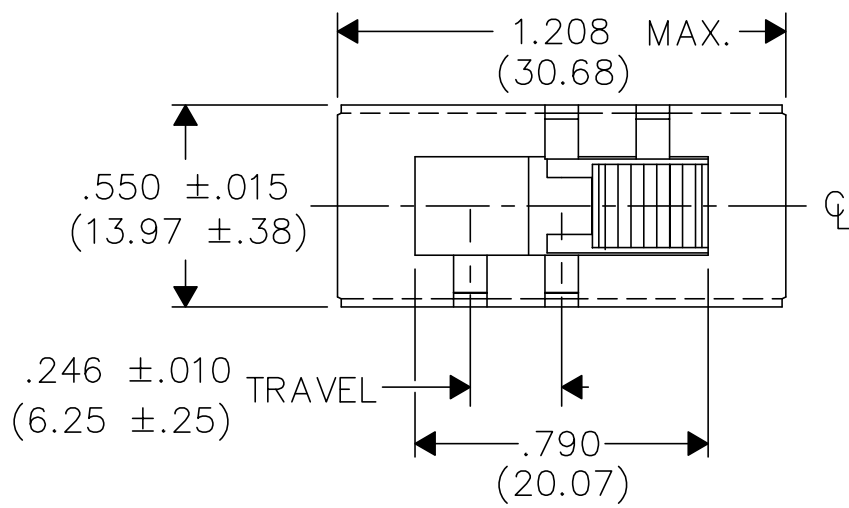
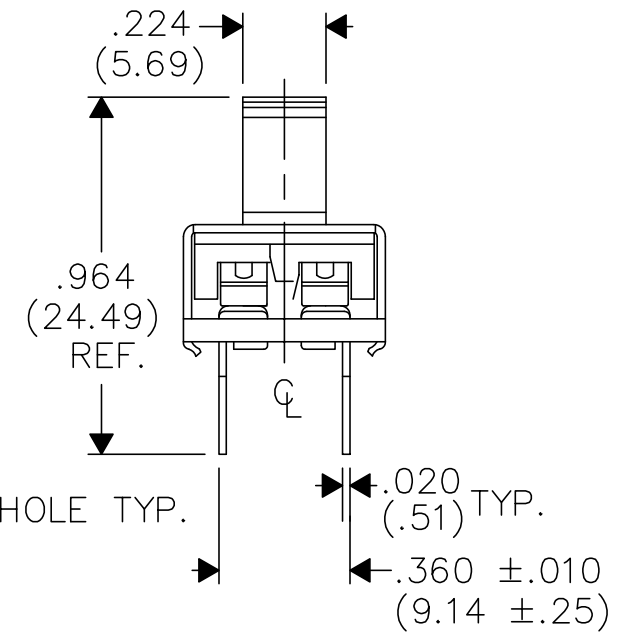
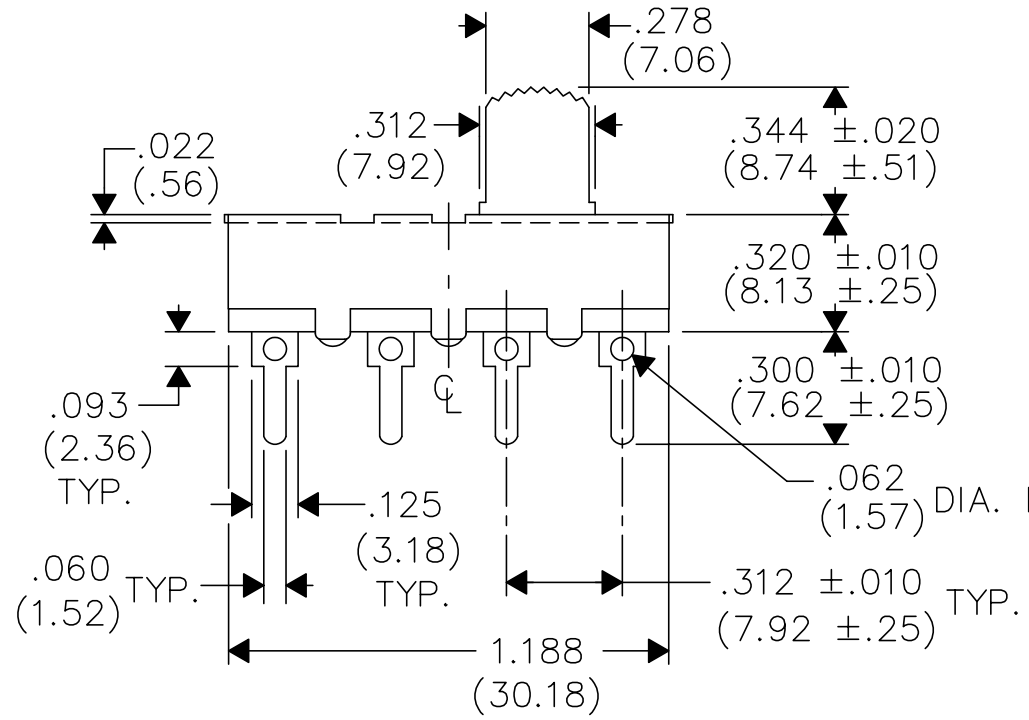
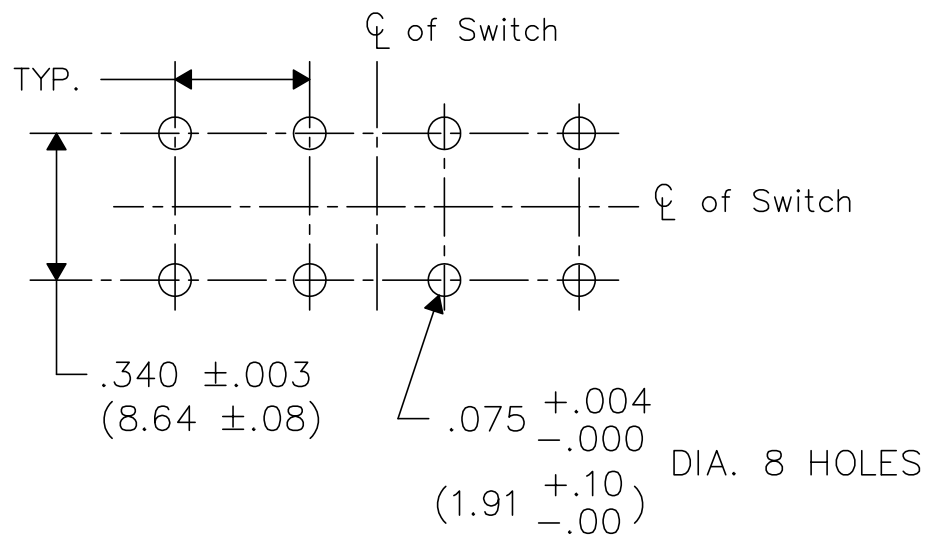


P.C. LAYOUT



.312 ±.003
(7.92 ±.08)



FORM-B4

REVISIONS

0	RELEASED. DGW 1-16-2003 Jan. 21, 2003
---	---

CW INDUSTRIES
Southampton, Pa. 18966

TOLERANCES UNLESS OTHERWISE SPECIFIED	
2 Place Decimal ±.010	METRIC
3 Place Decimal ±.005	1 Place Dec. ±.25mm
Angles ±1°	2 Place Dec. ±.13mm

Made for:	CW IND.
Drawn by:	DGW 1-16-2003
Checked by:	GG 1-20-03
Approval:	BF 1-20-03

Title: STD. SWITCH
ASSEMBLY
D.P.- 3 P

Division:
SWITCH

Dwg. No.
G-1128S-0059

PDF File Made