



MODEL EGCS-D0 & EGCS-D1S ACCELEROMETERS

Specifications

- DC Response, Critically Damped
- $\pm 5g$ to $\pm 10,000g$ Dynamic Range
- Rugged Design, Integral Strain Relief
- Fluid Damped, Over-Range Stops
- Temperature Compensated
- -40°C to $+100^{\circ}\text{C}$ Operating Range

Features

- Rugged Stainless Steel Housing
- DC to 5000Hz Frequency Response
- Full Bridge Design
- Linearity $<1\%$
- 10,000g Shock Protection
- 2-15Vdc Excitation
- $<3\%$ Transverse Sensitivity

Applications

- General Purpose T&M Applications
- Vibration & Shock Monitoring
- Road Vehicle Testing
- Transient Drop Testing
- Static & Dynamic Measurements
- Engine Testing

The TE Connectivity EGCS-D0 and EGCS-D1S series accelerometers are rugged DC sensors designed for harsh measurement applications. The accelerometers are critically fluid damped and feature a full bridge output configuration with mechanical over-range stops for outstanding shock survivability. The damped EGCS-D0 and EGCS-D1S designs are available in ranges from $\pm 5g$ to $\pm 10,000g$ and feature 0-5000Hz frequency response (range dependent).

The EGCS-D0 and EGCS-D1S accelerometers can be powered with a range of 2-15Vdc excitation voltage. The accelerometers have a standard cross-talk accuracy of $<3\%$ and a standard ZMO (zero measurand output) of $<\pm 20\text{mV}$.

The EGCS-D0 & EGCS-D1S series are environmentally sealed with IP65 protection. The -D0 option has a screw mounted flange configuration while the -D1S option has a stud mount configuration.

A triaxial mounting block, PN AC-A04686, is also offered for multi-axis measurement installations.

[CLICK HERE >](#)
CONNECT WITH A SPECIALIST

MODEL EGCS-D0 & EGCS-D1S ACCELEROMETERS

Performance Specifications

All values are typical at +24°C, 80Hz (>50g ranges) 16Hz (≤50g ranges) and 15Vdc excitation unless otherwise stated. TE Connectivity reserves the right to update and change these specifications without notice.

PARAMETERS

DYNAMIC

Range (g)	±5	±10	±25	±50	±100	±250	±500	±1000	±2500	±5000	±10000
Sensitivity (mV/g) @15Vdc 40	20	8	4	2	0.8	0.4	0.2	0.08	0.04	0.016	
Frequency Response, Hz											
+5% / -10%	0-90	0-120	0-240	0-360	0-540	0-780	0-1050	0-1500	0-2100	0-2400	0-3000
+5% / -20%	0-150	0-200	0-400	0-600	0-900	0-1300	0-1750	0-2500	0-3500	0-4000	0-5000
Min Resonance Freq, Hz	300	400	800	1200	1800	2600	3500	5000	7000	8000	10000
Transverse Sensitivity	<3%	<3%	<3%	<3%	<3%	<3%	<3%	<3%	<3%	<3%	<3%
Non-Linearity	±1%	±1%	±1%	±1%	±1%	±1%	±1%	±1%	±1%	±1%	±1%
Damping Ratio	0.7	0.7	0.7	0.7	0.7	0.7	0.7	0.7	0.7	0.7	0.7
Shock Limit (g)	±500	±1000	±2000	±5000	±10000	±10000	±10000	±10000	±10000	±10000	±12500

ELECTRICAL

Zero Measurand Output	<±20 mV, differential
Excitation Voltage	2 to 15Vdc
Input Resistance	1000-2500 Ohms
Output Resistance	700-1300 Ohms
Insulation Resistance	>100 MΩ @50Vdc
Ground Isolation	Isolated from mounting surface
Warm-Up Time	<10 seconds

ENVIRONMENTAL

Thermal Zero Shift	±2.0mV / 50°C (±2.0mV / 100°F)
Thermal Sensitivity Shift	±2.5% / 50°C (±2.5% / 100°F)
Operating Temperature	-40°C to +100°C
Compensated Temp	+20°C to +80°C, contact factory for other temperature compensation options
Humidity	Epoxy Sealed, IP66

PHYSICAL

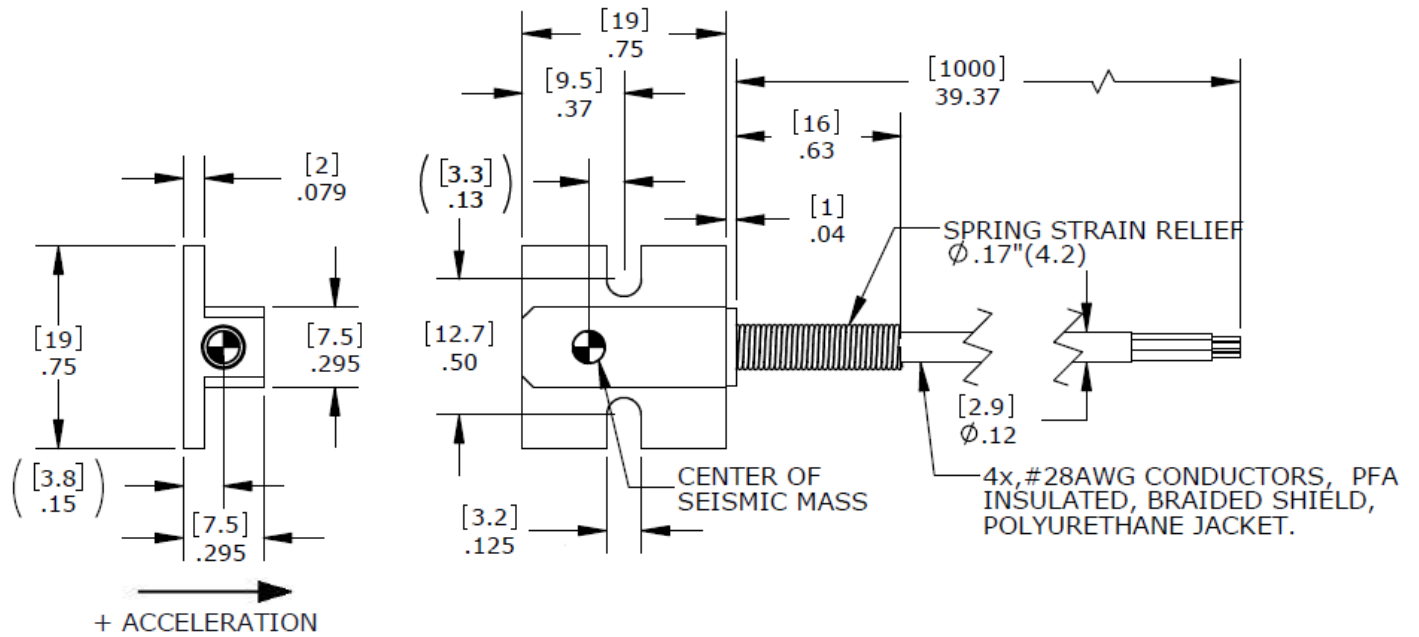
Case Material	Stainless Steel
Cable	4x #28 AWG Leads, PFA Insulated, Braided Shield, Polyurethane Jacket
Weight	10grams for EGCS-D0, 12grams for EGCS-D1S, cable not included
Mounting	Screw Mount for EGCS-D0 (2x #4-40 or M3), Stud Mount for EGCS-D1S (#10-32 stud)

¹ Output is ratiometric to excitation voltage

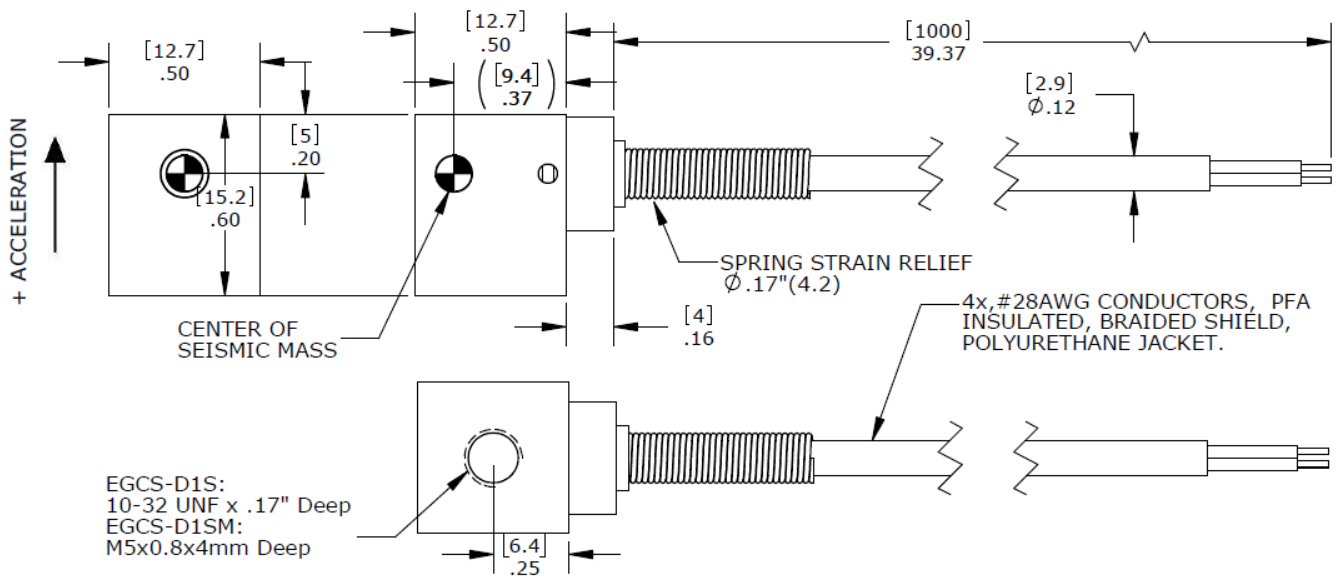
Calibration supplied:	CS-FREQ-0100	NIST Traceable Amplitude Calibration from 20Hz to ±1dB Frequency Limit
Optional accessories:	AC-A04686 121	Triaxial Mounting Block for EGCS-D0 Version 3-Channel Precision Low Noise DC Amplifier

MODEL EGCS-D0 & EGCS-D1S ACCELEROMETERS

Dimensions, Model EGCS-D0

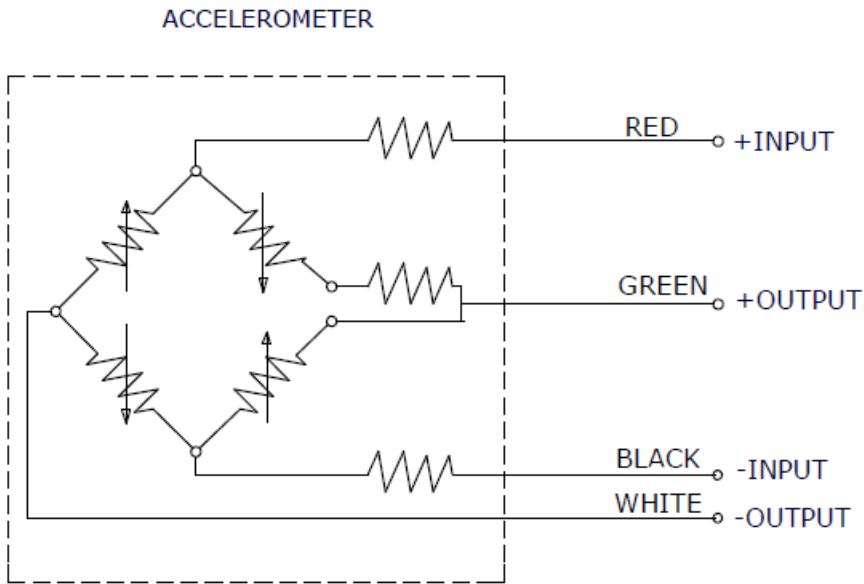


Dimensions, Model EGCS-D1S

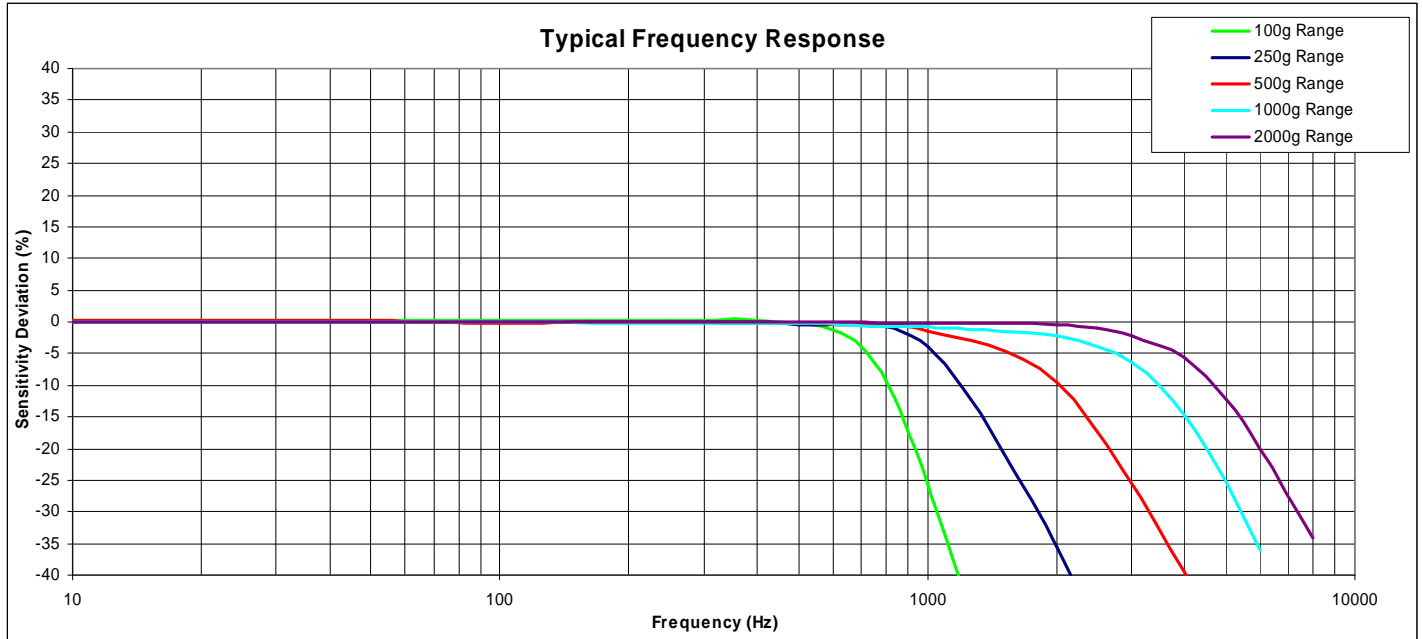


MODEL EGCS-D0 & EGCS-D1S ACCELEROMETERS

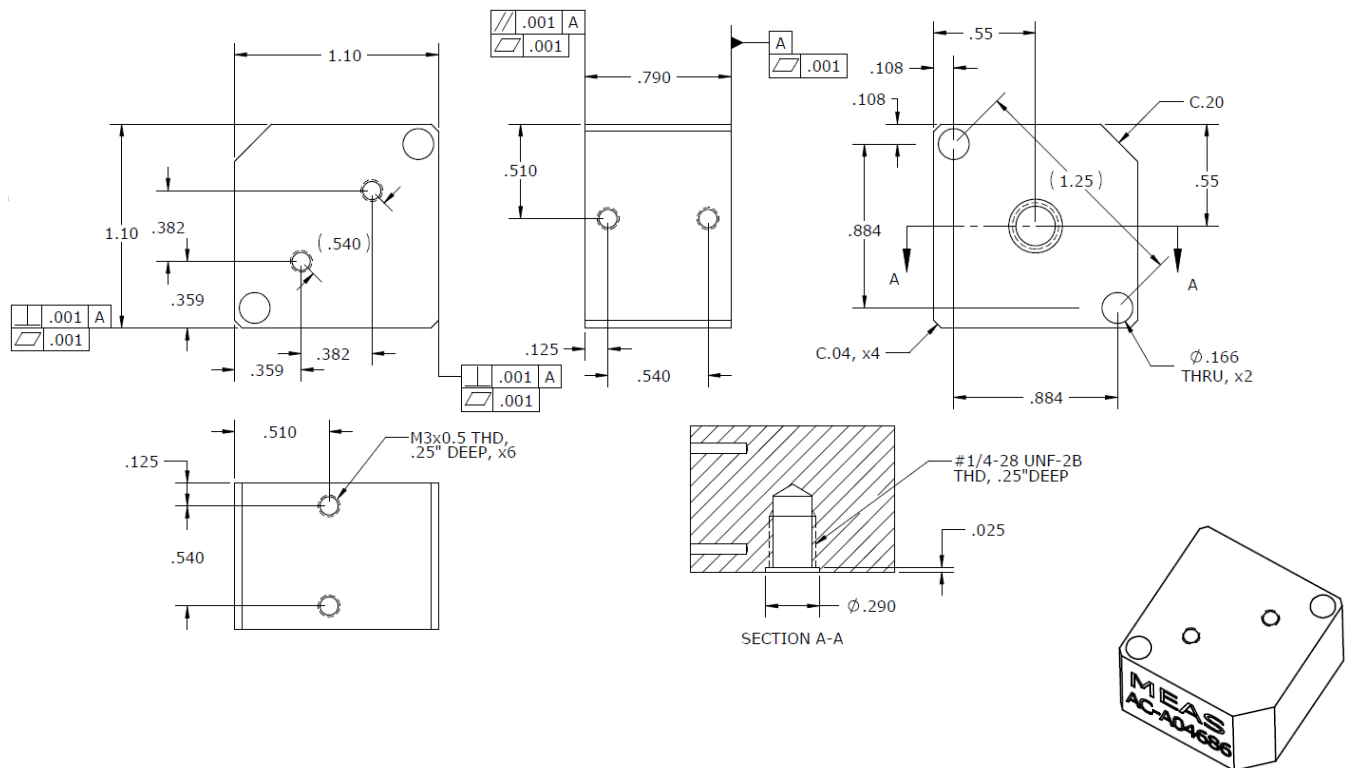
Schematic, for both EGCS-D0 and EGCS-D1S



Typical Frequency Response



Triaxial Mounting Block



MODEL EGCS-D0 & EGCS-D1S ACCELEROMETERS

Ordering Information

EGCS-D0 or EGCS-D1S	GGGG	-/VX	/LZZ
Range 5 = 5g 10 = 10g 25 = 25g 50 = 50g 100 = 100g 250 = 250g 500 = 500g 1000 = 1000g 2500 = 2500g 5000 = 5000g 10000 = 10,000g			
Excitation Voltage Leave blank for standard 15Vdc V5 = 5Vdc excitation V10 = 10Vdc excitation			
Cable length Leave blank for standard 1 meter cable length L2M = 2 meters L5M = 5 meters L10M = 10 meters			

Example; EGCS-D0-100-/L2M
Model EGCS-D0, 100g range, 2 meters cable length

CLICK HERE ›
CONNECT WITH A SPECIALIST

NORTH AMERICA

Measurement Specialties, Inc.,
a TE Connectivity Company
Tel: 800-522-6752
customercare.hmpt@te.com

EUROPE

MEAS France SAS
a TE Connectivity Company
Tel: +31 73 624 6999
customercare.lcsb@te.com

ASIA

Measurement Specialties (China), Ltd.,
a TE Connectivity Company
Tel: 0400-820-6015
customercare.shzn@te.com

te.com

TE Connectivity, TE, TE Connectivity (logo) and Every Connection Counts are trademarks. All other logos, products and/or company names referred to herein might be trademarks of their respective owners

The information given herein, including drawings, illustrations and schematics which are intended for illustration purposes only, is believed to be reliable. However, TE Connectivity makes no warranties as to its accuracy or completeness and disclaims any liability in connection with its use. TE Connectivity's obligations shall only be as set forth in TE Connectivity's Standard Terms and Conditions of Sale for this product and in no case will TE Connectivity be liable for any incidental, indirect or consequential damages arising out of the sale, resale, use or misuse of the product. Users of TE Connectivity products should make their own evaluation to determine the suitability of each such product for the specific application.

© 2019 TE Connectivity Corporation. All Rights Reserved.

Version # 10/2020

