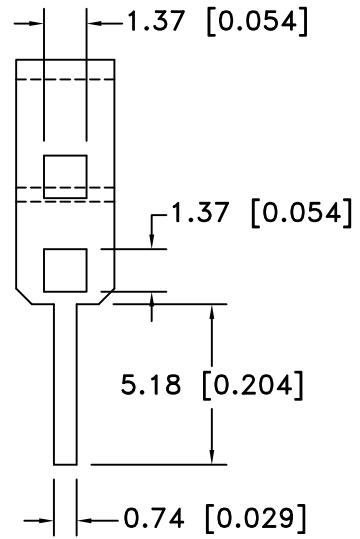
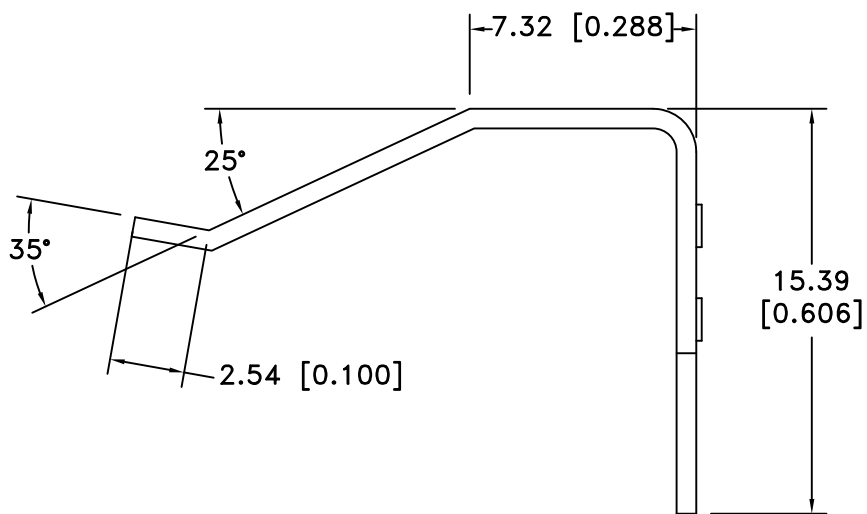
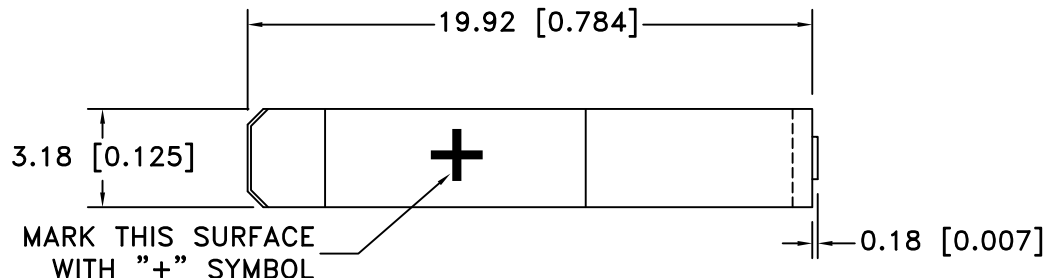



Date	SYM	REVISION RECORD	AUTH	DR.	CK.
4/22/06	A	Material was 302 stainless steel	T.B.	B.S.	
11/21/14	B	Updated to ROHS 2 compliant	T.B.	B.S.	
12/12/14	C	Dim. 19.92 was 18.24 Dim. 15.39 was 13.08	T.B.	B.S.	



**NOTES:**

1. MATERIAL: 0.64mm [0.025"] THICK (24GA.) #304 STAINLESS STEEL-SPRING TEMPER.
2. FINISH: NICKEL PLATED 0.0005" THICK.
3. APPEARANCE: NO BURRS-BREAK ALL SHARP CORNERS. ROHS 2 COMPLIANT

Tolerance (Except as noted)	 <b>Memory Protection Devices, Inc</b> 200 Broad Hollow Road, Farmingdale, New York 11735		
	decimal ±.5 (.020)	Scale	Drawn By B.S. Approved By T.B.
Fractional ± .8 (.030)	Title POSITIVE CONTACT FOR 20mm TO 30mm COIN CELL BATTERIES		
Angular ± 3°	Date 12/12/14	Drawing Number ABG-96-POS	