

THIS DRAWING IS UNPUBLISHED. RELEASED FOR PUBLICATION
 © COPYRIGHT copyright.d8Te- ALL RIGHTS RESERVED.

REVISIONS				
P	LTR	DESCRIPTION	DATE	APVD
A		RELEASE PER ECO-20-015428	29OCT2020	DFS JB

NOTES:

1. MATERIALS:

CAP HOUSING:
 GENERIC TYPE = 15% GF PBT
 COLOR = SEE TABLE

CAP TPA:
 GENERIC TYPE = 15% GF PBT
 COLOR = BLACK

CAP COVER:
 GENERIC TYPE = 15% GF PBT
 COLOR = BLACK

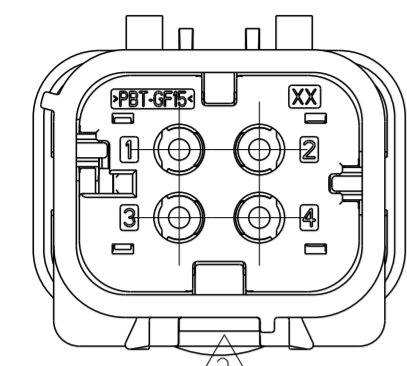
WIRE SEAL:
 GENERIC TYPE = SILICONE RUBBER
 COLOR = GREEN

△ NOT TOOLED FOR PRODUCTION.

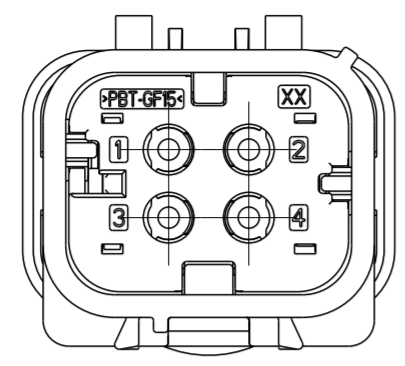
3. TPA SHOWN IN THE PRE-STAGED (AS SHIPPED) POSITION.

4. MATTE SEAL TO ACCOMODATE WIRE INSULATION O.D. RANGE OF 2.18MM TO 3.81MM

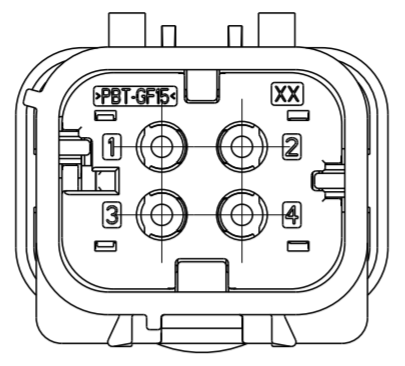
5. REFER TO AS16 COAX PRODUCT GROUP DRAWING: 2381263 FOR INFORMATION REGARDING MATING COMPONENTS, ACCESSORIES, AND APPLICATION TOOLING.



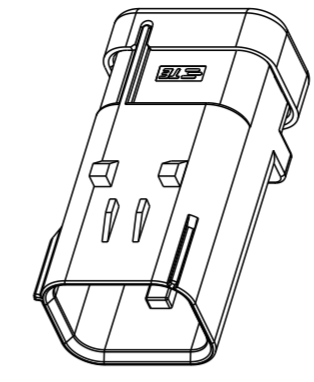
2338211-2
 SCALE 2:1



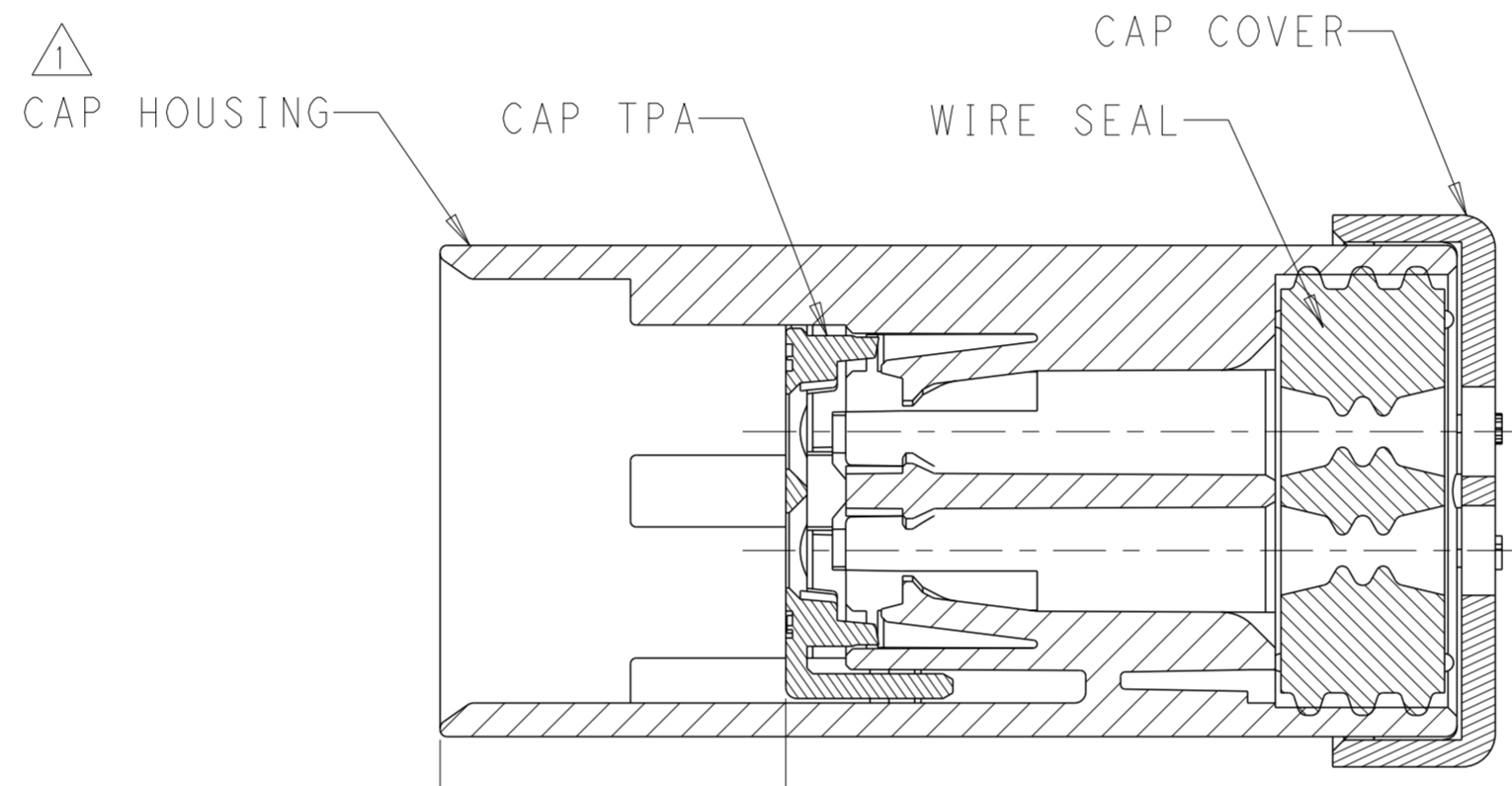
2338211-3
 SCALE 2:1



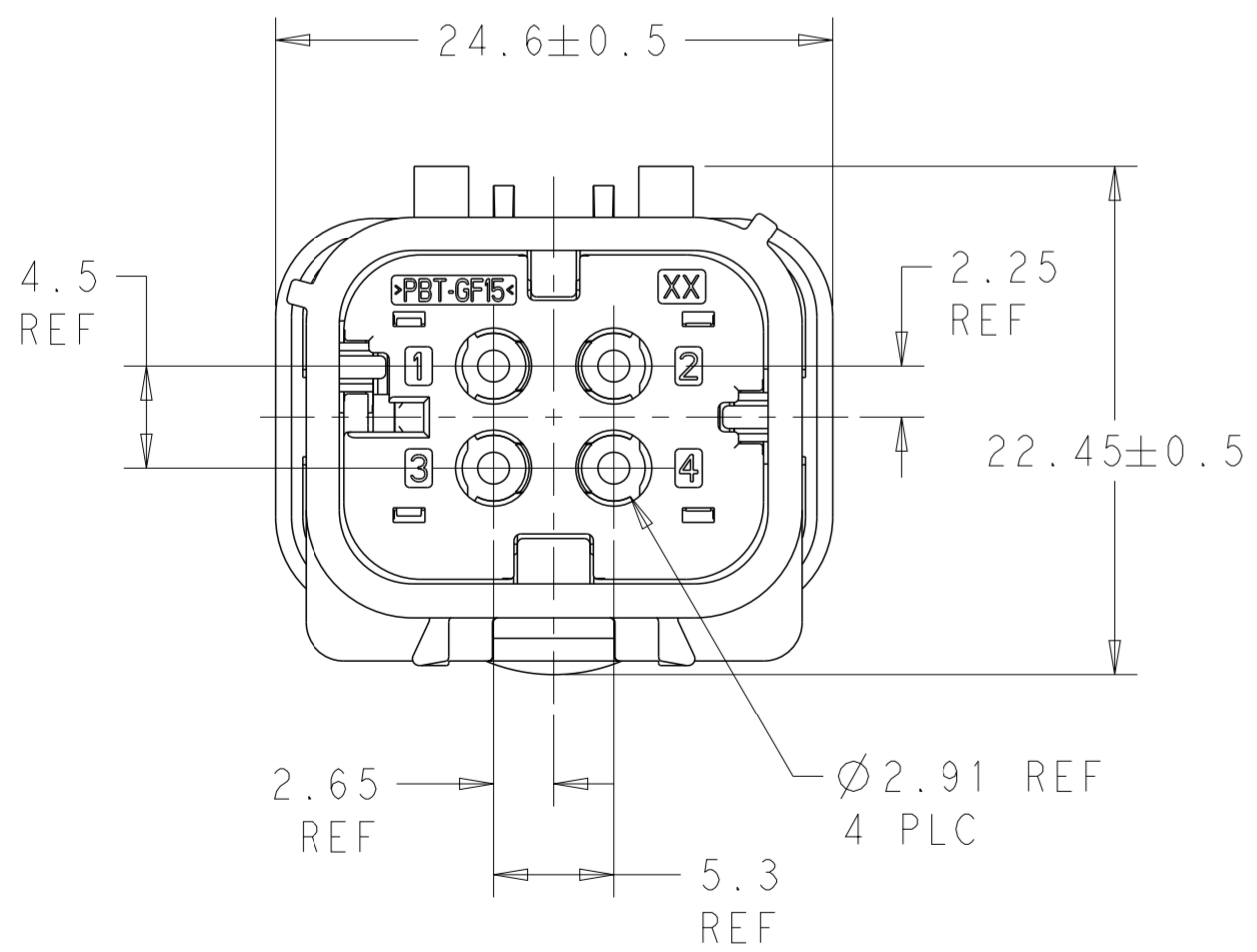
2338211-4
 SCALE 2:1



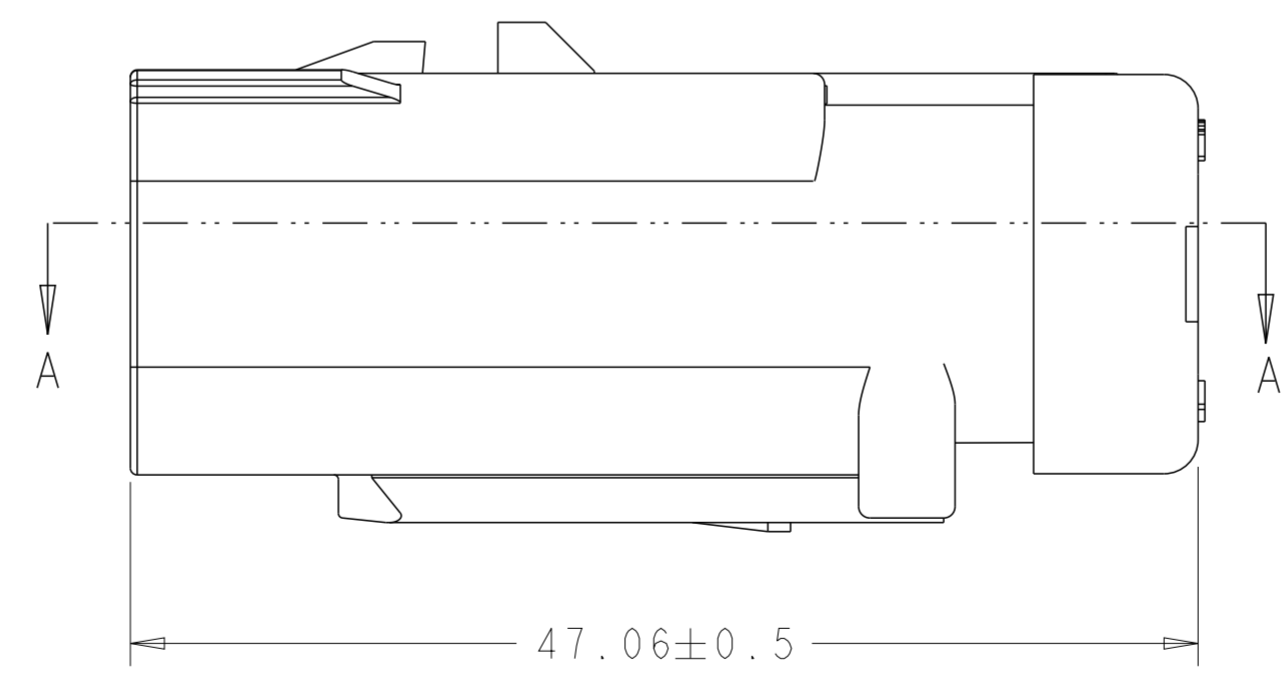
ISOMETRIC VIEW SHOWN FOR REFERENCE ONLY
 SCALE 1:1



15.417 MAX WITH TPA IN PRE-STAGE POSITION
 SECTION A-A



2338211-1 AS SHOWN



BEIGE	2338211-4
SIGNAL BLUE	2338211-3
CLARET VIOLET	2338211-2
WATER BLUE	2338211-1
HOUSING COLOR	PART NUMBER

THIS DRAWING IS A CONTROLLED DOCUMENT.		DWN	02-Nov-20	TE Connectivity	
DIMENSIONS: mm		CHK	J. LOCONDRO 14FEB2019		
TOLERANCES UNLESS OTHERWISE SPECIFIED:		APVD	K.A. DEBOCK 29OCT2020		
0 PLC ± 1 PLC ± 2 PLC ± 3 PLC ± 4 PLC ± ANGLES ± FINISH -		PRODUCT SPEC	108-94799		
MATERIAL -		APPLICATION SPEC	114-94667	NAME	CAP PIN ASSY, 4P, W2W, SEALED COAX AS16 COAX
SEE NOTES		WEIGHT	12.9 g	SIZE	A2
		CUSTOMER DRAWING		CAGE CODE	-
		SCALE	3:1	DRAWING NO	2338211_C
		SHEET	1 OF 1	RESTRICTED TO	-
		REV	A		