

1 2 3 4 5 6 7 8

A

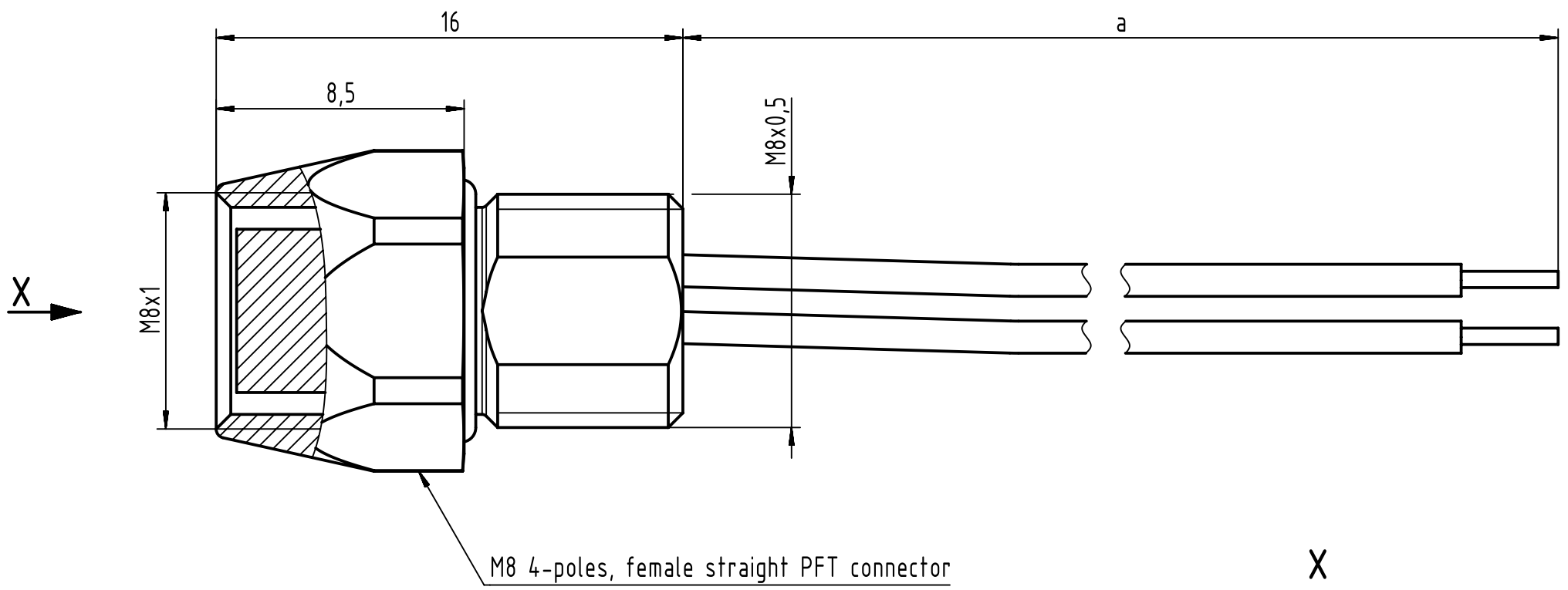
B

C

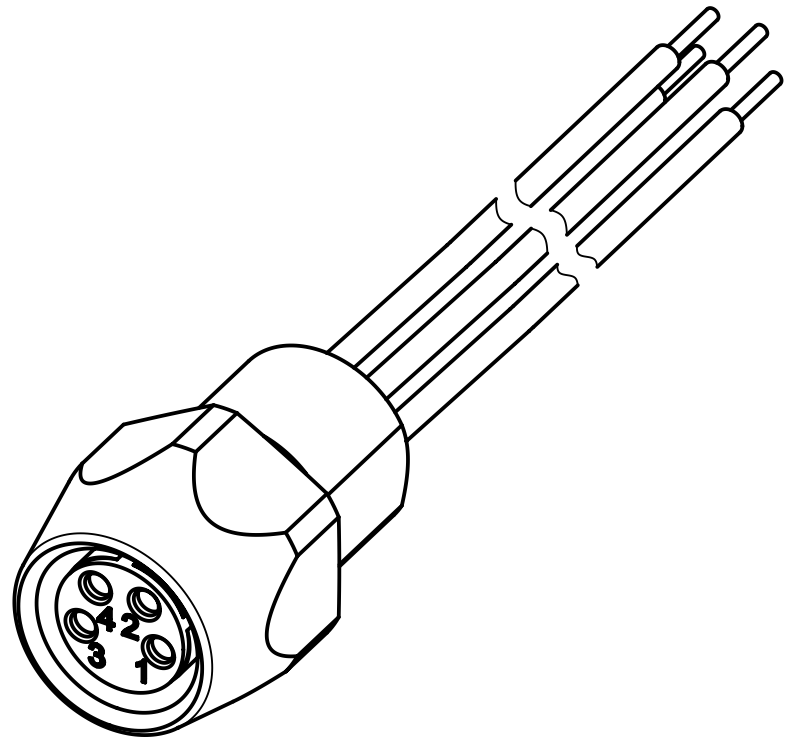
D

E

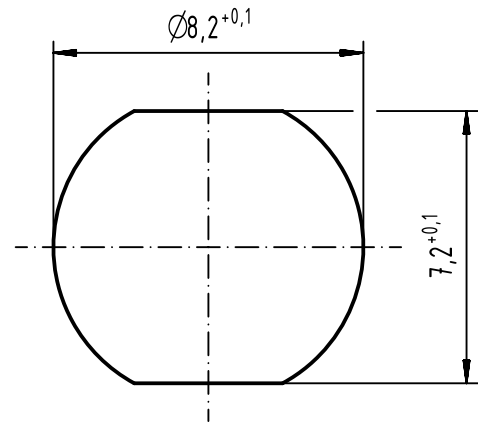
F



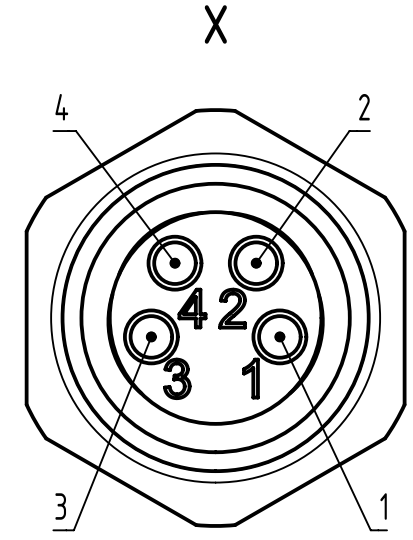
M8 4-poles, female straight PFT connector



Recommended panel cut-out



Minimum wall thickness 1.5mm



Loading-Plan:

- 1 brown
- 2 white
- 3 blue
- 4 black

- Protection level: IP67
- Temperature range: -30°C ... +80°C
- Order lock nut separately

1		21023576405		AWG 24, PVC		0.5		All rights reserved Department EC PD - RO HARTING Electronics GmbH D-32339 Espelkamp		Scale 5:1 Free size tol. Created by TAMAS Inspected by AVRAM Standardisation SCHREIER Date 2017-07-28 State Final Release Title M8 Cable Assembly Type TB Number 210235764XX Doc-Key / ECM-Nr. 100580445/UGD/009/C 500000122985 Rev. C Page 1/1	
Cont. No.	Part - no.	Type of cable		Dim. a[m]							

1 2 3 4 5 6 7 8