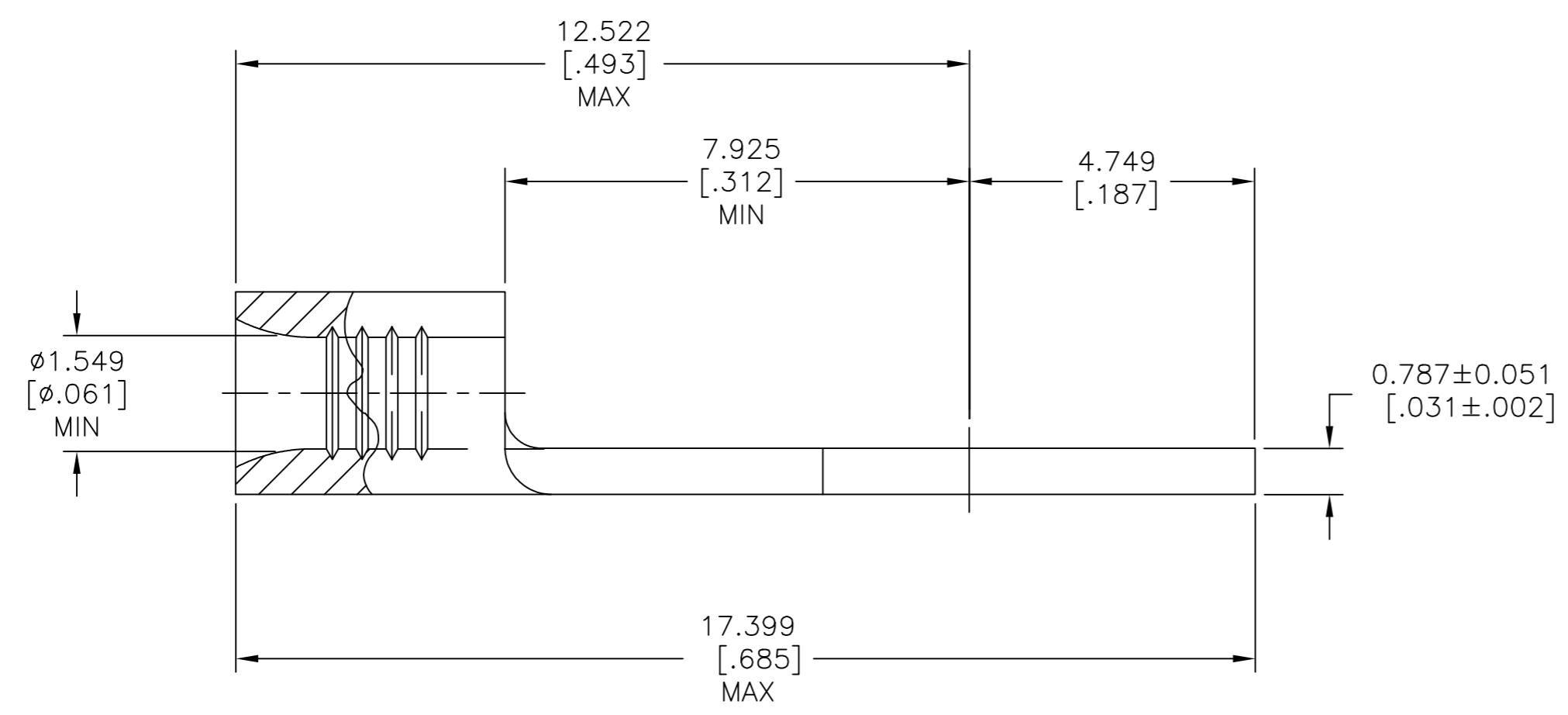
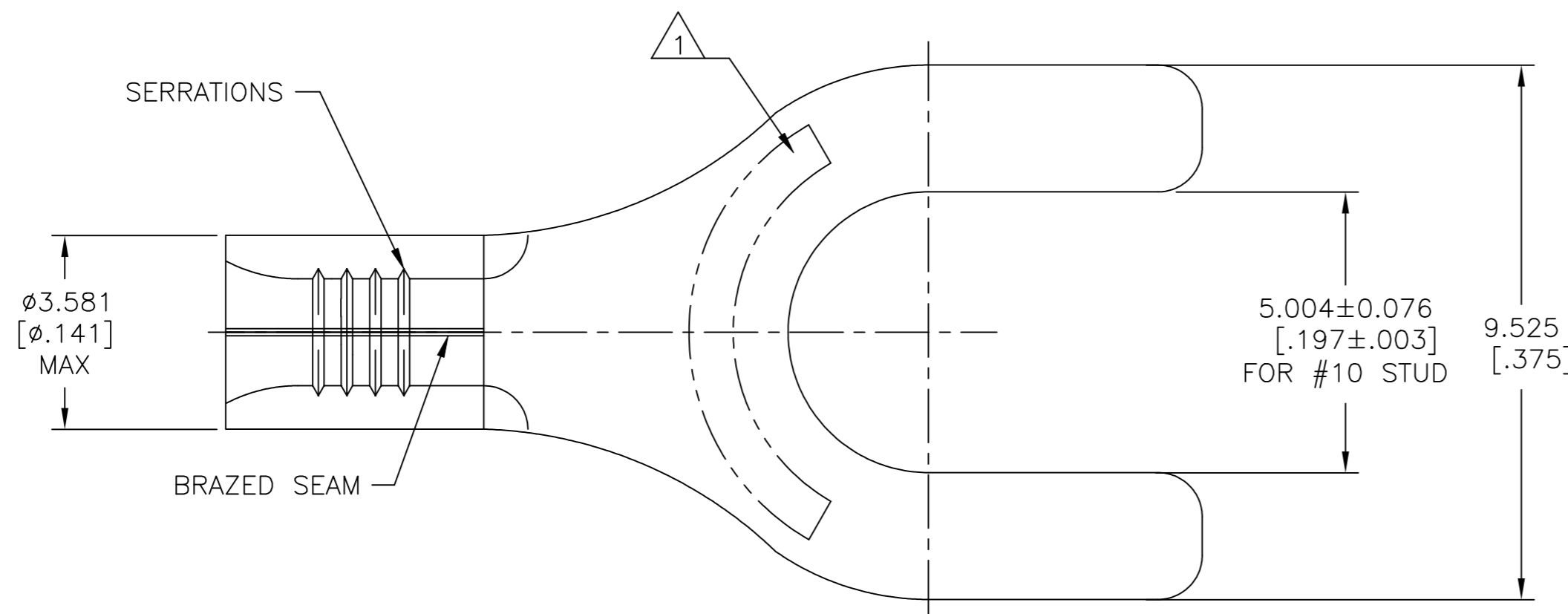


THIS DRAWING IS UNPUBLISHED. RELEASED FOR PUBLICATION
 © COPYRIGHT - By - ALL RIGHTS RESERVED.

REVISIONS					
P	LTR	DESCRIPTION	DATE	DWN	APVD
F1		REVISED PER ECO-11-004917	11MAR11	RK	HMR
F2		REVISED PER ECO-17-008808	28FEB2018	RS	DR



AMP WIRE RANGE	E13288 Listed
22-16 AWG SOLID OR STRANDED	22-16 AWG SOLID OR STRANDED
LR7189 Certified	MILITARY P/N AND CLASS
22-16 AWG SOLID OR STRANDED	NOT APPLICABLE

1 STAMP AMP 22-18* APPROX AS SHOWN
 22-16 TERMINALS ARE STAMPED 22-18 IN
 ACCORDANCE WITH MILITARY SPECIFICATION
 SAE AS7928, COMMERCIAL WIRE RANGE IS
 22-18

AMP INCORPORATED
 CUSTOMER SERVICE SYSTEMS

MAX RECOMMENDED OPERATING
 TEMPERATURE:
 170° C [338°F] MAX

FOR ADDITIONAL
 PRODUCT INFORMATION OR
 COPIES OF DRAWINGS
 AND TECHNICAL DOCUMENTS

PRODUCT INFORMATION CENTER
 1-800-522-6752

VOLTAGE RATING:
 NOT APPLICABLE

FOR APPLICATION
 TOOLING INFORMATION

TOOLING ASSISTANCE CENTER
 1-800-722-1111

WIRE CROSS SECTIONAL AREA RANGE:
 0.26-1.65mm² [509-3,260] CIR MILS
 SOLID OR STRANDED

FOR ORDER ENTRY

1-800-526-5142

THIS DRAWING IS A CONTROLLED DOCUMENT FOR
 AMP INCORPORATED. IT IS SUBJECT TO CHANGE
 AND THE CONTROLLING ENGINEERING ORGANIZATION
 SHOULD BE CONTACTED FOR THE LATEST REVISION.

5000	ON TAPE	2-34118-2
1000	LOOSE PIECE	34118
QUANTITY	PACKAGING TYPE	PART NO



NAME
 TERMINAL, SPADE™
 TONGUE, SOLISTRAND™
 22-16 AWG

THIS DRAWING IS A CONTROLLED DOCUMENT.		DWN TA BRINKMAN 3-26-93
DIMENSIONS: mm [INCHES]		CHK DA PATTERSON 3-26-93
TOLERANCES UNLESS OTHERWISE SPECIFIED:		APVD DE MILLER 3-26-93
0 PLC ± -		PRODUCT SPEC
1 PLC ± -		APPLICATION SPEC
2 PLC ± -		UL 486 A-B
3 PLC ± 0.127[.005]		
4 PLC ± -		
ANGLES ± -		
MATERIAL COPPER PER ASTM B 552 ANNEALED	FINISH TIN PLATE 0.00254[.000100] MIN THK PER ASTM B545	WEIGHT
		CUSTOMER DRAWING

SIZE A2	CAGE CODE 00779	DRAWING NO C=34118	RESTRICTED TO
SCALE 10:1	SHEET 1 of 1	REV F2	