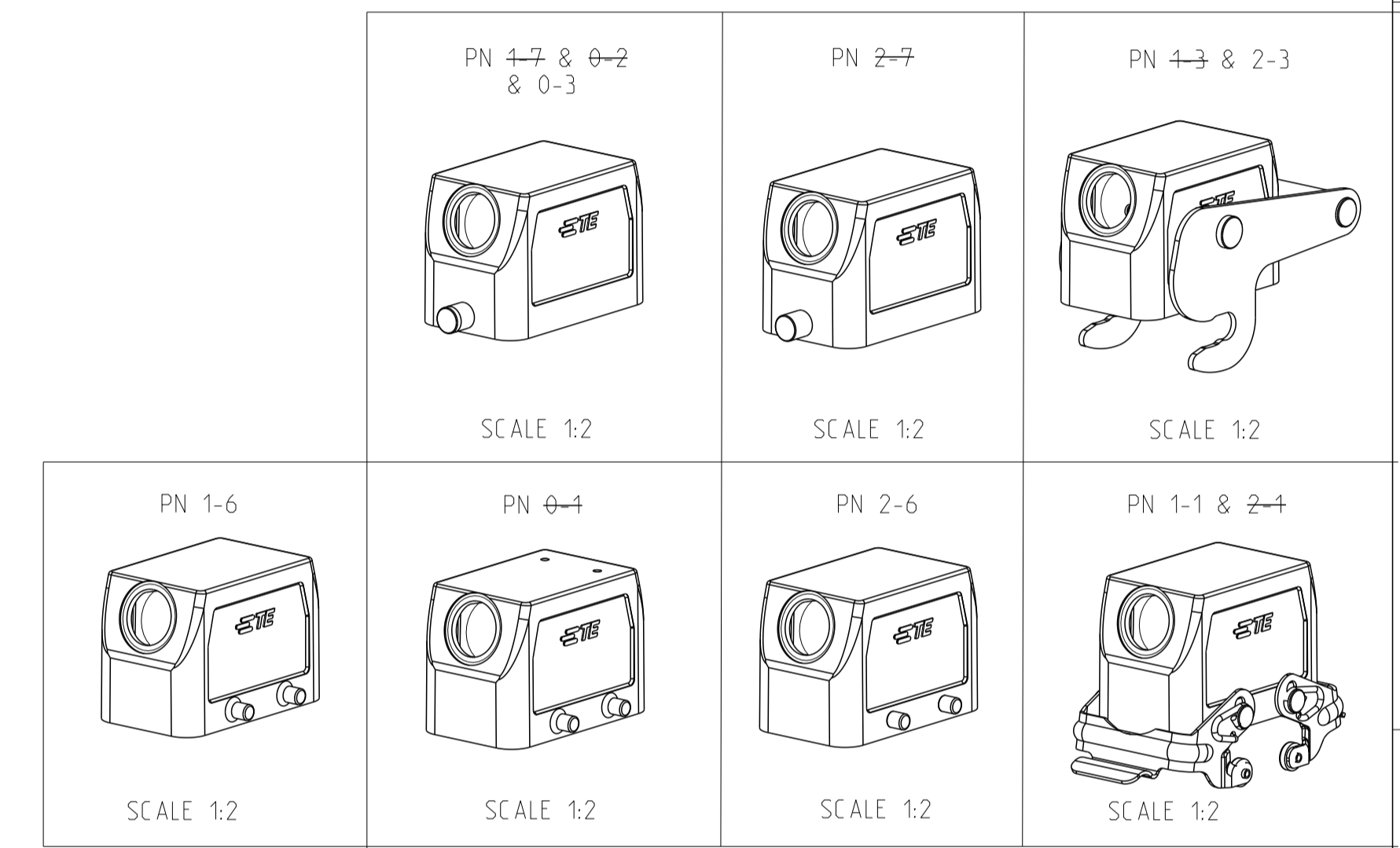


| REVISIONS | | | | |
|-----------|-----|---------------|----------|-------|
| P | LTN | DESCRIPTION | DATE | APPV |
| A9 | | ECR-21-123293 | 2FEB2022 | RK JB |

- NOTES.
- Material:Housing:Aluminium Diecasting Alloy
 - Surface-Powder Varnish Grey
-Aluminium Oxide +
Varnish Black
 - Varnish on the inside not necessary
 - Packaging
Quantity 5 Pieces in a box



| QTY | DESCRIPTION | MATERIAL | SURFACE | COLOR | ITEM NO | NOTES |
|-----------------------------------|-------------------------|-----------------|-----------------|------------|---------|----------------------|
| 1 | ZB-Central clip | Stainless steel | Blank | - | 11 | |
| 1 | ZB-Central clip | Steel | Zinc plated | Blue | 10 | |
| 2 | LB- Clip bolt | Stainless steel | Blank | - | 9 | |
| 2 | LB- Clip bolt | Steel | Zinc plated | Blue | 8 | |
| 2 | VS-Side clip | Stainless steel | Blank | - | 7 | |
| 2 | VS-Side clip | Steel | Zinc plated | Blue | 6 | |
| 4 | VS- Clip bolt | Stainless steel | Blank | - | 5 | |
| 1 | HB- Hood | Aluminium | - | No varnish | 4 | |
| 1 | HB- Hood | Aluminium | - | Grey | 3 | Identification plate |
| 1 | HB-K Hood | Aluminium | Aluminium oxide | Black | 2 | |
| 1 | HB- Hood | Aluminium | - | Grey | 1 | |
| 0-32-31-32-70-21-72-11-12-60-11-6 | DESCRIPTION | MATERIAL | SURFACE | COLOR | ITEM NO | NOTES |
| | HB.10.STS.1.16.G | | | | | |
| | HB.10.STS.1.16.G | | | | | |
| | HB-K.10.STS.1.16.G | | | | | |
| | HB.10.STS-VS.1.16.G | | | | | |
| | HB-K.10.STS-VS.1.16.G | | | | | |
| | HB.10.STS-GR.1.16.G | | | | | |
| | HB.10.STS-GR.1.9.G | | | | | |
| | HB-K.10.STS-GR.1.16.G | | | | | |
| | HB-Z.10.STS-ZB.1.16.G | | | | | |
| | HB-K/Z.10.STS-ZB.1.16.G | | | | | |
| | HB.10.STS-GR.1.16.G | | | | | |

THIS DRAWING IS A CONTROLLED DOCUMENT.

DWG: Schneider 19.05.00
CHK: Schwiiger 19.05.00

NAME: Hood
HB.10.STS.1.16.G

PRODUCT SPEC: -
APPLICATION SPEC: -

SCALE: 1:1 SHEET 1 OF 1 REV: A9