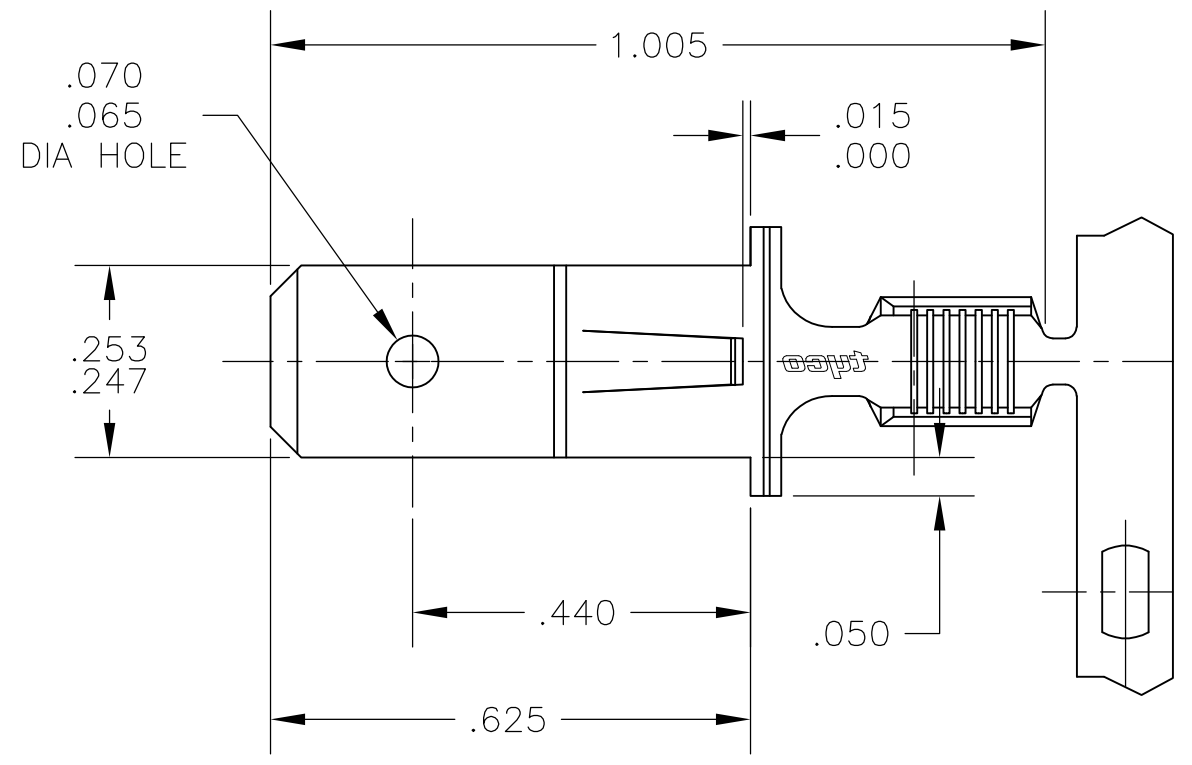


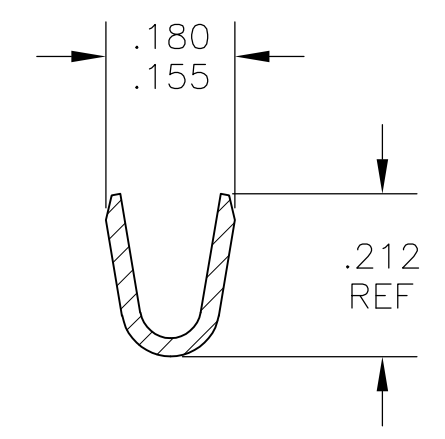
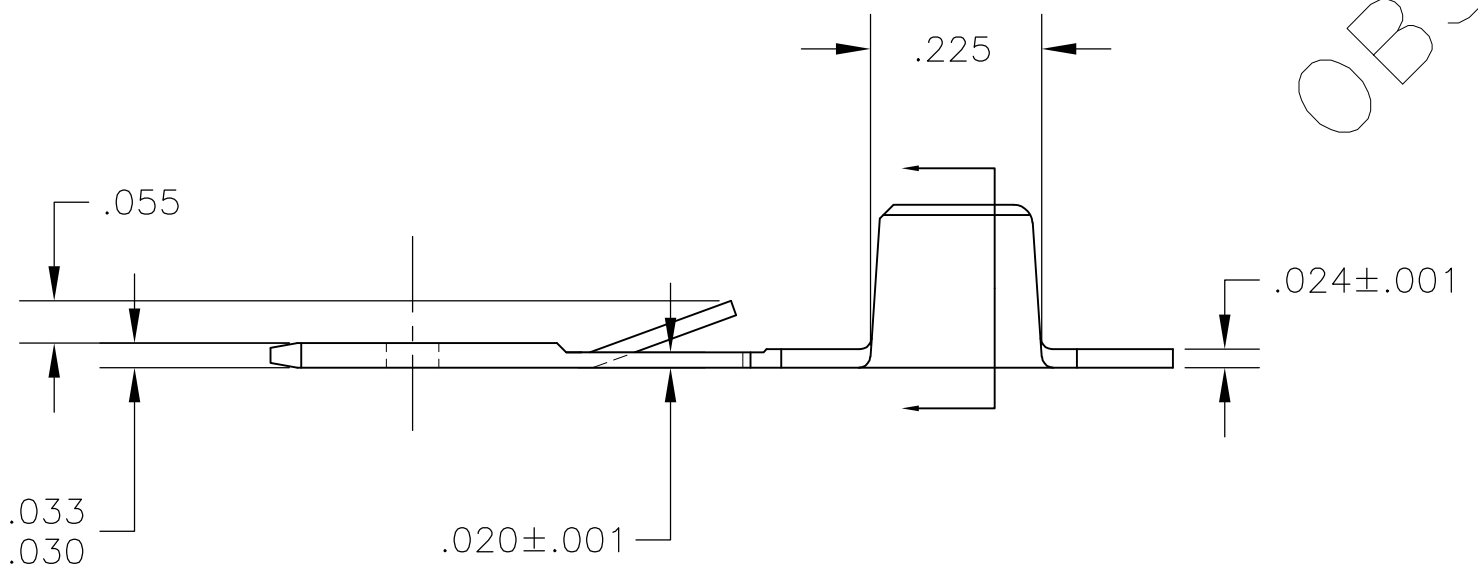
THIS DRAWING IS UNPUBLISHED. RELEASED FOR PUBLICATION
 © COPYRIGHT - By - ALL RIGHTS RESERVED.

REVISIONS					
P	LTR	DESCRIPTION	DATE	DWN	APVD
	B1	ECR-17-006546	12MAY17	GG	TD



- 1 CONTINUOUS STRIP ON REELS
- 2 WIRE SIZE 3000 - 7000 CMA
- 3 CRIMP INFO: WIDTH .140, F TYPE
 CRIMP HT. (±.002) = (TOTAL CMA + 17,000)/240,000

OBSOLETE



1742265-1
 PART NO

THIS DRAWING IS A CONTROLLED DOCUMENT.		DWN jr_ruth 11APR05	TE Connectivity														
DIMENSIONS: INCHES		CHK K RANDOLPH 11APR05															
TOLERANCES UNLESS OTHERWISE SPECIFIED:		APVD K RANDOLPH 11APR05	NAME TAB, FASTIN-FASTON, AMPLIVAR, .250 SERIES														
<table border="0"> <tr><td>0 PLC</td><td>± -</td></tr> <tr><td>1 PLC</td><td>± -</td></tr> <tr><td>2 PLC</td><td>± -</td></tr> <tr><td>3 PLC</td><td>± .010</td></tr> <tr><td>4 PLC</td><td>± -</td></tr> <tr><td>ANGLES</td><td>± 5°</td></tr> </table>		0 PLC	± -	1 PLC	± -	2 PLC	± -	3 PLC	± .010	4 PLC	± -	ANGLES	± 5°	PRODUCT SPEC -	APPLICATION SPEC 114-2146		
0 PLC	± -																
1 PLC	± -																
2 PLC	± -																
3 PLC	± .010																
4 PLC	± -																
ANGLES	± 5°																
MATERIAL BRASS		FINISH .000080 MIN TIN	WEIGHT 0.000000	SIZE A3	CAGE CODE 00779	DRAWING NO C-1742265	RESTRICTED TO -										
CUSTOMER DRAWING			SCALE 4:1	SHEET 1 OF 1	REV B1												