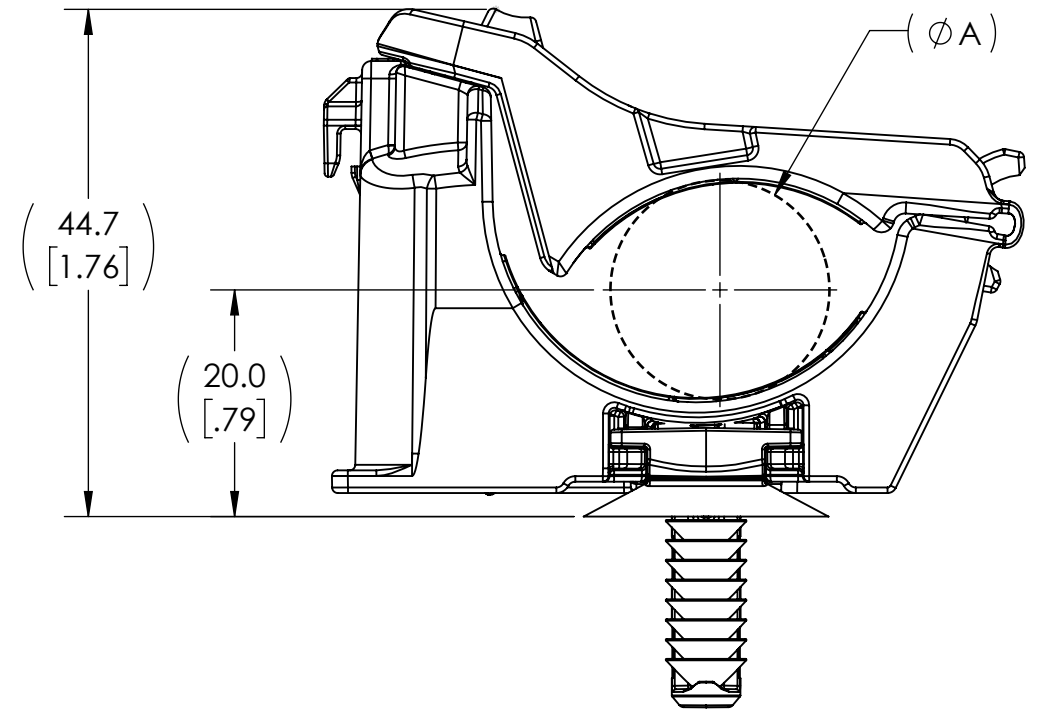
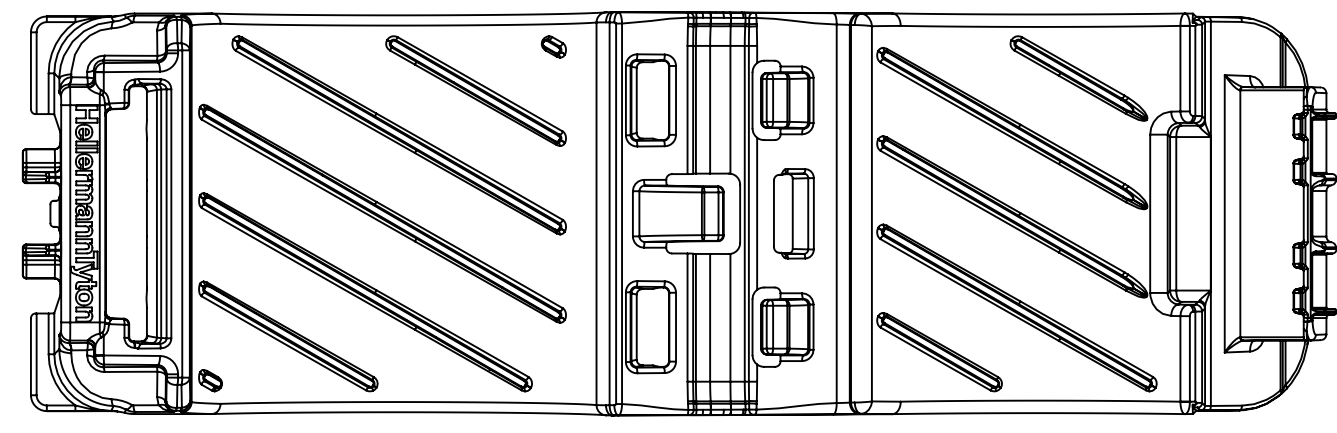
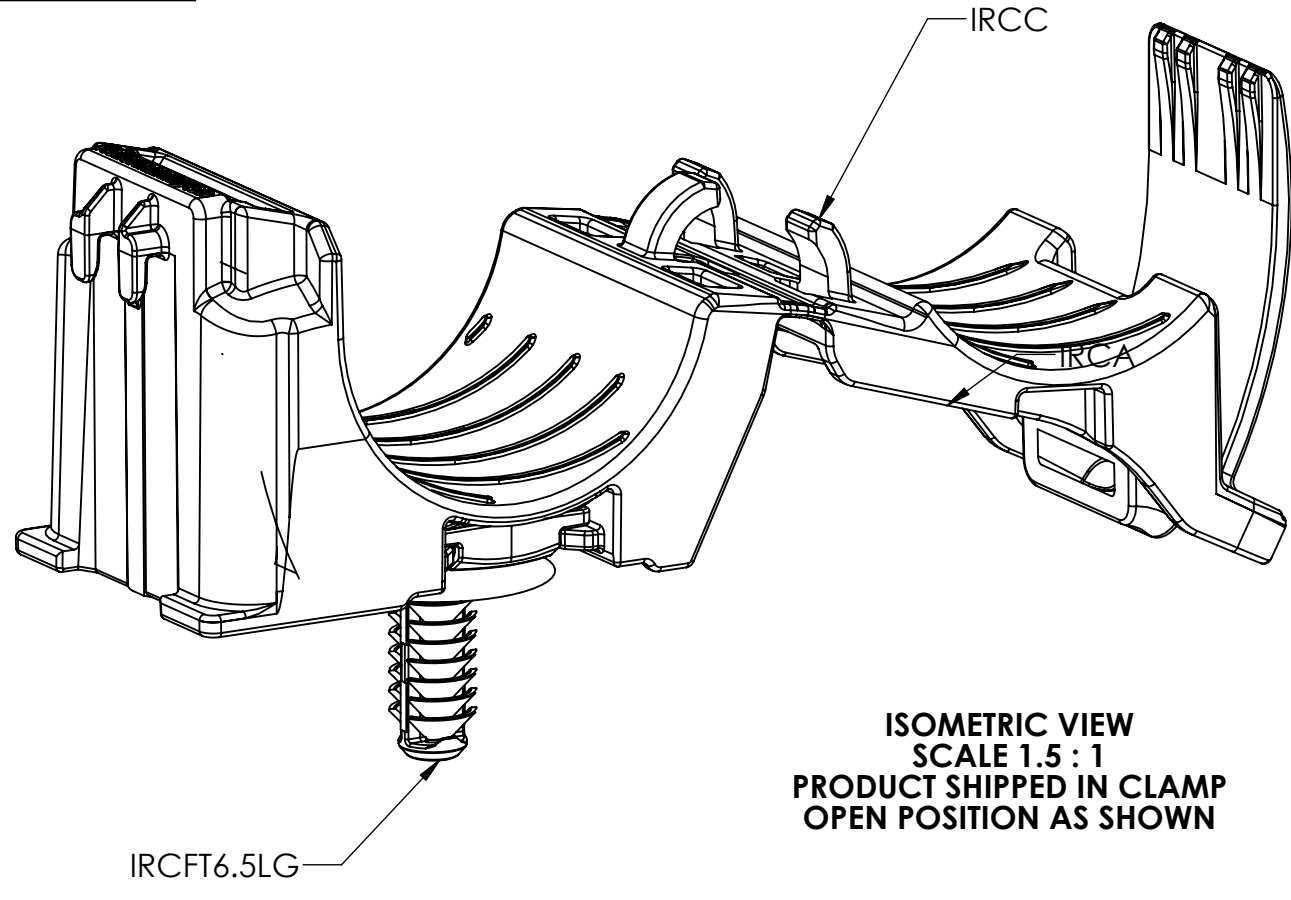
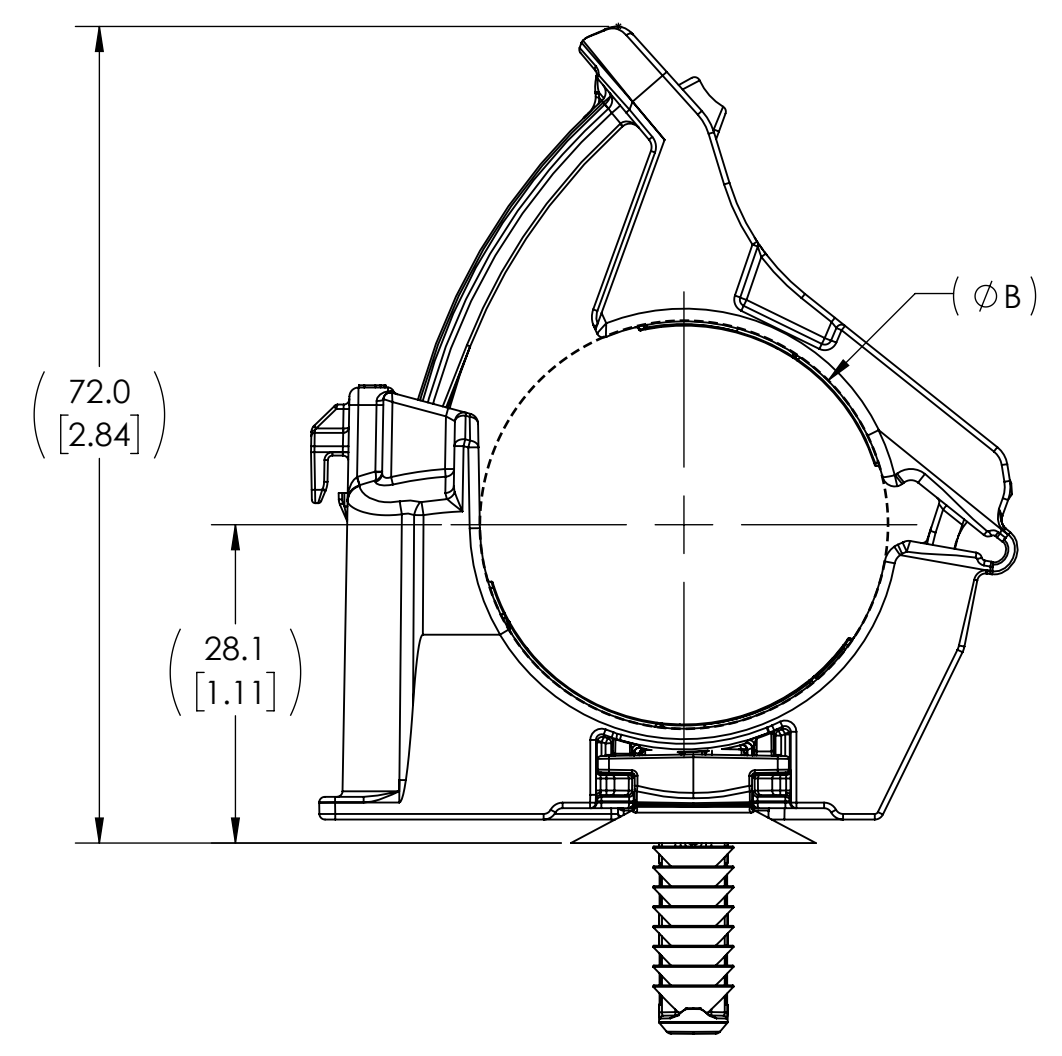
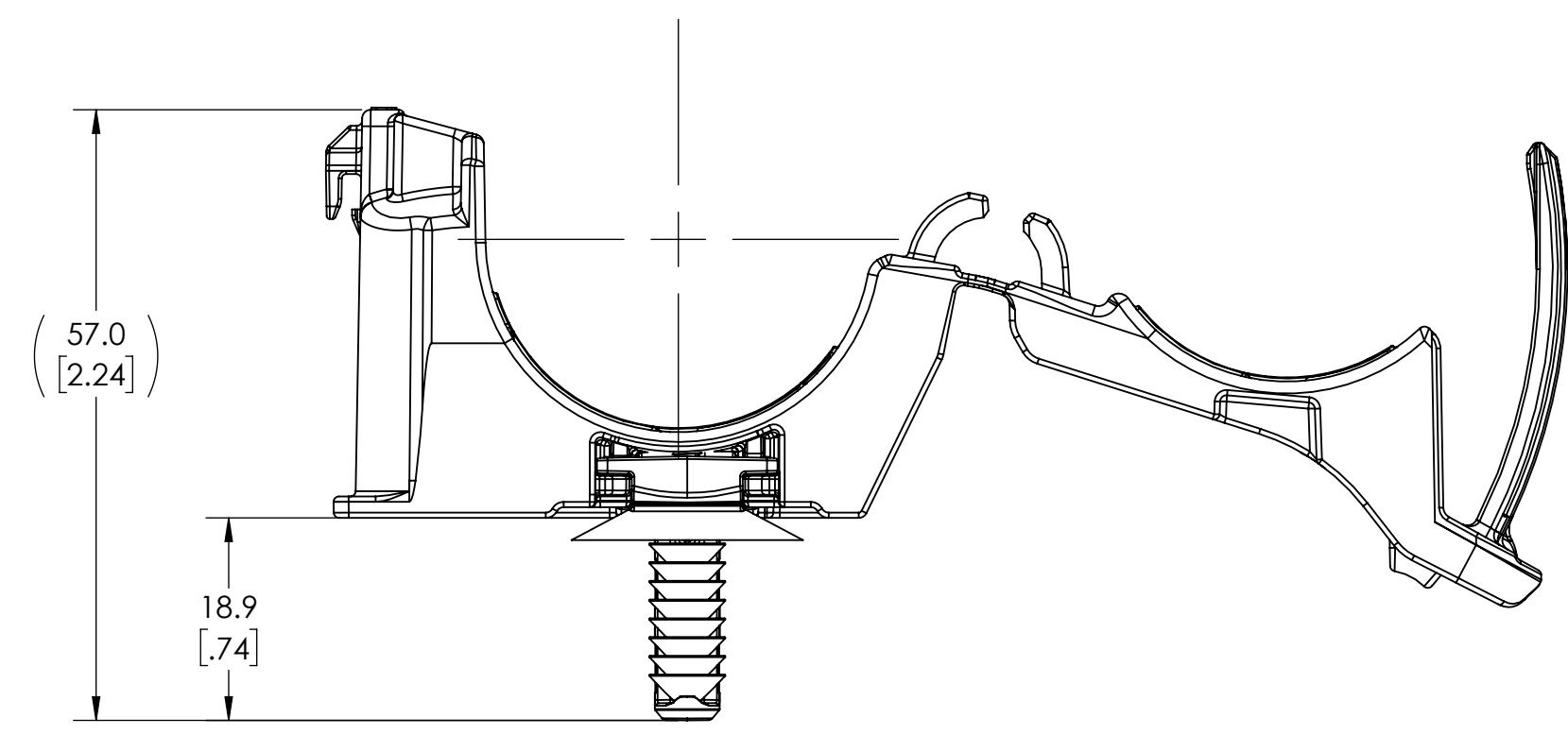
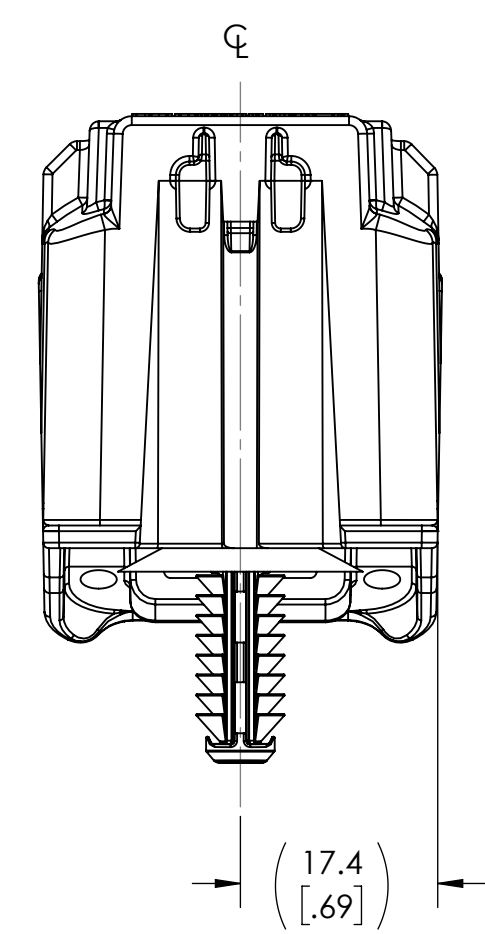


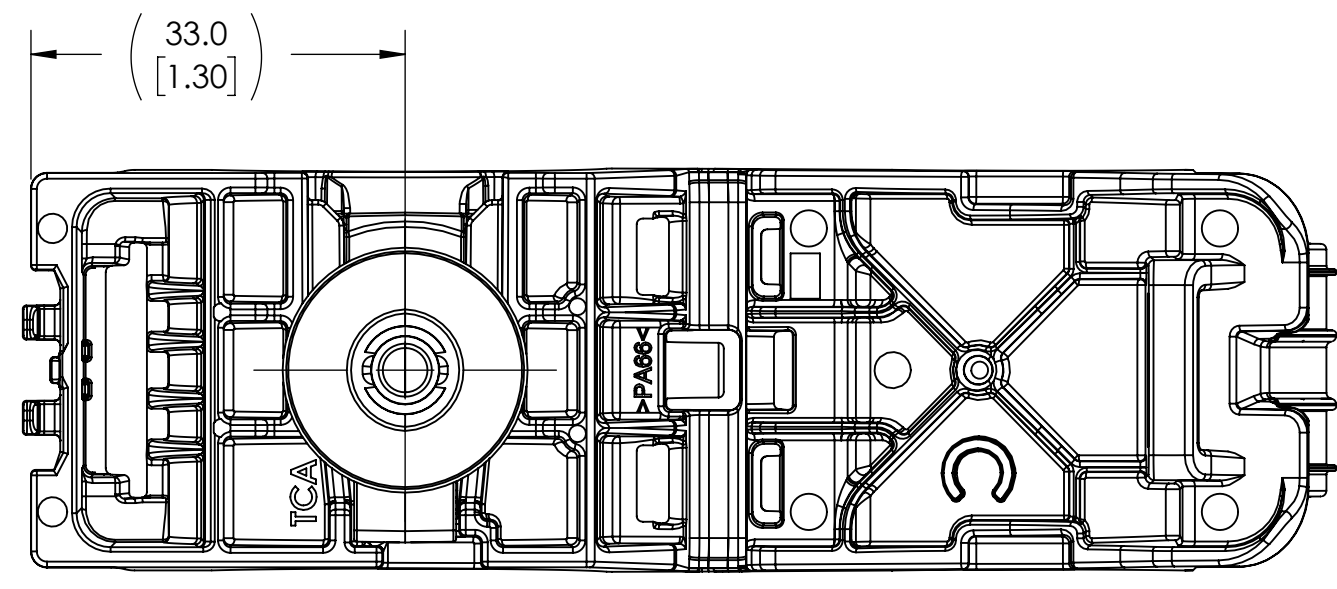
Revision level			Revision Record	Changed	Date	Approved	Date
Drawing	State	Part					
00.0	Design Release		SEE ECN# 015255	MHT	06/28/2019	CTF	06/28/2019



MINIMUM BUNDLE DIAMETER



MAXIMUM BUNDLE DIAMETER



- REFERENCE:**
- SHEET METAL THICKNESS RANGE: 0.60mm - 9.00mm
 - APPLICABLE HOLE SIZE:
 - A. 6.50mm +/-0.40
 - B. 6.35mm +/-0.20
 - C. 6.60mm +/-0.20
 - D. 6.35mm HEX +/-0.20

GLOBAL PART DESCRIPTION	BUNDLE TYPES	(A) MINIMUM DIAMETER	(B) MAXIMUM DIAMETER	IRCC CLAMP			IRCFT6.5LG CONNECTOR CLIP		
				DRAWING	MATERIAL	COLOR	DRAWING	MATERIAL	COLOR
IRCCFT6.5LG-PA66HIRHSUV-BK	SOFT HARD	19.4 [.76] 18.6 [.73]	36.0 [1.42] 35.2 [1.39]	16-1641-003-CSU	PA66HIRHSUV	BLACK	16-1645-051-CSU	PA66HIRHSUV	BLACK

Notes	Material	Units: millimeters	The copyright of this drawing is reserved by HellermannTyton. It is issued on condition that it is not reproduced, copied, or disclosed to a third party, either wholly or in part, without the consent of HellermannTyton.	Drawn	MHT	06/24/2019	Article/Type-No	IRCCFT6.5LG		Scale	3:2	
	SEE CHART	Dimension without tolerances details to: .xxx = ±.013 .xx = ±.13 .x = ±.3 None = ±.8 < = ±0.5* Dimension Formatted mm{in}		Approved	CTF	06/24/2019	Title	INLINE RATCHET P-CLAMP C WITH 6.5mm LONG FIR TREE		Project Number	PRP19-0329	
				HellermannTyton North America Email: corp@htamericas.com Web: www.hellermann.tyton.com			Drawing-No	19-0329-103-CSU		Production : Phase	Format	C
									Sheet	1/1		