



Brady Collapsible Gate Valve Lockouts

Catalog #: 148646, 148647, 148648

www.bradyid.com

Design

- Made of rugged injection-molded acrylonitrile butadiene styrene
- Patent-pending design includes a knock-out center that accommodates OS&Y or "rising stem" valves
- These gate valve lockout covers come in 3 sizes, ranging to cover hand wheels of 3" to 18" in diameter
- Covers fold for easier storage, carrying & application
- Accept locks with shackles up to 3/8" in diameter, and are supplied with danger labels in English, Spanish and French



Material

- Housing: Acrylonitrile butadiene styrene
- Rivet, Washers: Copper, Stainless Steel
- Housing Color: Red (PMS 1805C)
- UL Rating: UL 94 – HB (Plastic Components Only)

Temperature Range

- Acrylonitrile butadiene styrene : -40° to 100°C (-40° to 212°F)

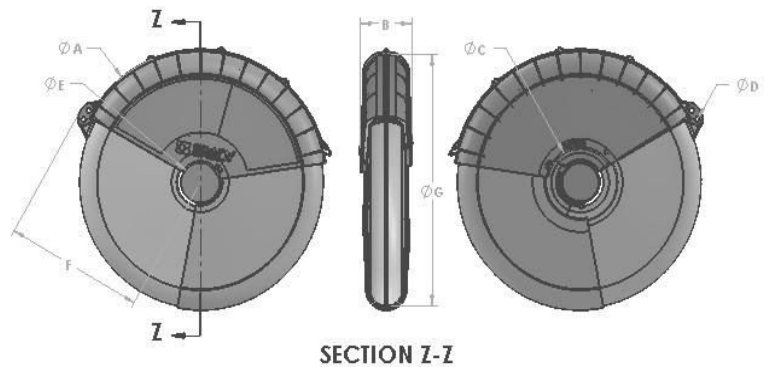
Chemical Resistance

All approved chemicals listed are based on the manufactures specified chemical resistance chart for plastic material only.

Chemical	°C	Chemical	°C
Lubrication oil: gear oil	< 120	Water (including seawater), chlorinated (<0,5 mg/l)	80
Petroleum	25	Lubricating oil: HD engine oils, hydraulic oils, transformer oils	< 120
Water (including seawater)	25		

Dimensions

	CGV-7	CGV-13	CGV-18
A	9.03" (229.4mm)	14.76" (374.9mm)	19.70" (500.4 mm)
B	3.10" (78.7mm)	3.98" (101.1mm)	3.98" (101.1mm)
C	2.44" (62.0mm)	4.11" (104.5mm)	5.00" (127.0mm)
D	.38" (9.7mm)	.38" (9.7mm)	.38" (9.7mm)
E	1.75" (44.5mm)	2.90" (73.7mm)	2.90" (73.7mm)
F	5.22" (132.7mm)	8.20" (208.2mm)	10.66" (270.8mm)
G	7.44" (189.0mm)	13.63" (346.2mm)	18.61" (472.7mm)



SECTION Z-Z

MSDS Information

1. HAZARDS IDENTIFICATION

This product is NOT DANGEROUS and contains no hazardous ingredients.

2. FIRST AID MEASURES/HEALTH INFORMATION /PROTECTION

Eye Contact:	Flush with water for at least 20 minutes. Seek medical attention if irritation persists
Ingestion:	Seek medical attention if a significant amount is swallowed
Inhalation:	Remove person to fresh air. Assist in breathing if necessary. Seek medical attention.
Skin Contact:	Not applicable, product is inert, except if product is melted use gloves. For hot melted product, immerse in or flush affected area with water to dissipate heat, then obtain medical attention.
Exposure Limits:	None
Threshold Limits	None
Personal Protection:	None (ambient conditions)
NPCA-HMIS Rating:	Health: 0; Flammability: 1; Reactivity: 0
NFPA-704 Rating:	Health: 0; Flammability: 1; Reactivity: 0

3. FIRE-FIGHTING MEASURES

<ul style="list-style-type: none"> ● Be cautious of hot melted ABS 	<ul style="list-style-type: none"> ● Use water spray to cool fire, exposed surfaces, and to protect personnel
<ul style="list-style-type: none"> ● Isolate product from fire 	<ul style="list-style-type: none"> ● Respiratory and eye protection is required for fire fighting personnel
<ul style="list-style-type: none"> ● Extinguish fire with water spray 	<ul style="list-style-type: none"> ● Decomposition products under fire conditions: Carbon monoxide, carbon dioxide, hydrogen cyanide.

4. ACCIDENTAL RELEASE MEASURES

Land	Recover material and place in suitable container for reuse or for disposal in conformance with local regulations.
Water	Recover material and place in suitable container for reuse or for disposal in conformance with local regulations.

5. HANDLING AND STORAGE

5.1 Handling	5.2 Storage
No precautions noted-see local regulation if needed	Storage pressure: Atmospheric
	Storage temperature: Ambient, no direct sunlight

6. EXPOSURE CONTROLS/PERSONAL PROTECTION

6.1 Exposure limit values	6.2 Exposure Controls
None	6.2.1 Occupational Exposure Controls
	6.2.1.1 Respiratory Protection: Not applicable
	6.2.1.2 Hand Protection: Not applicable
	6.2.1.3 Eye Protection: Not applicable
	6.2.1.4 Skin Protection: Not applicable
	6.2.2 Environmental Exposure Controls: No data available

7. PHYSICAL AND CHEMICAL PROPERTIES

General Information	
Other Information	

8. STABILITY AND REACTIVITY

8.1 Conditions to Avoid
Higher Temperatures and direct sunlight
Highly stable, but temperatures over 195 F may cause degradation
8.2 Materials to Avoid
No data available
8.3 Hazardous Decomposition Products
Under fire and oxygen-lean conditions may cause monoxide and irritating smoke

MSDS Information (continued)

9. ECOLOGICAL INFORMATION

9.1 Ecotoxicity	No data available
9.2 Mobility	No data available
9.3 Persistence and Degradability	No data available
9.4 Bioaccumulative Potential	No data available
9.5 Other Adverse Effects	No data available

10. DISPOSAL CONSIDERATIONS

None of the materials in this product are Recyclable, dispose of all materials in accordance with an applicable federal, state, and local law.

11. TRANSPORT INFORMATION

No data available

12. OTHER INFORMATION

No data available

Catalog Numbers

North America	Europe	Asia/Pacific	Australia	Red
2"- 7"	(50.8mm-177.8)			148648
7"-13"	(177.8-330.2mm)			148647
13"-18"	(330.2mm - 457.2mm)			148646

WARRANTY STATEMENT

Supplier warrants that all goods will be free from defects in materials and workmanship for a period of six (6) months from the time of delivery to the consumer by Supplier. Repair, replacement or credit (at Supplier's option) upon return of the goods is Purchaser's sole remedy for any such losses, expenses, inconveniences or damages. The limited warranty does not apply if (1) the defect is the result of use or handling of the goods in a manner, circumstance, or purpose other than those approved or instructed by Supplier, as identified in the installation procedures accompanying the product, the instruction for use found on the product and as found on the Brady's website; or (2) the goods are misused or abused or there is evidence of tampering, mishandling, neglect, accidental damages, modifications or repair without the approval of Supplier.

Copyright 2019 Brady Worldwide, Inc. | All Rights Reserved
 Material may not be reproduced or distributed in any form without written permission.