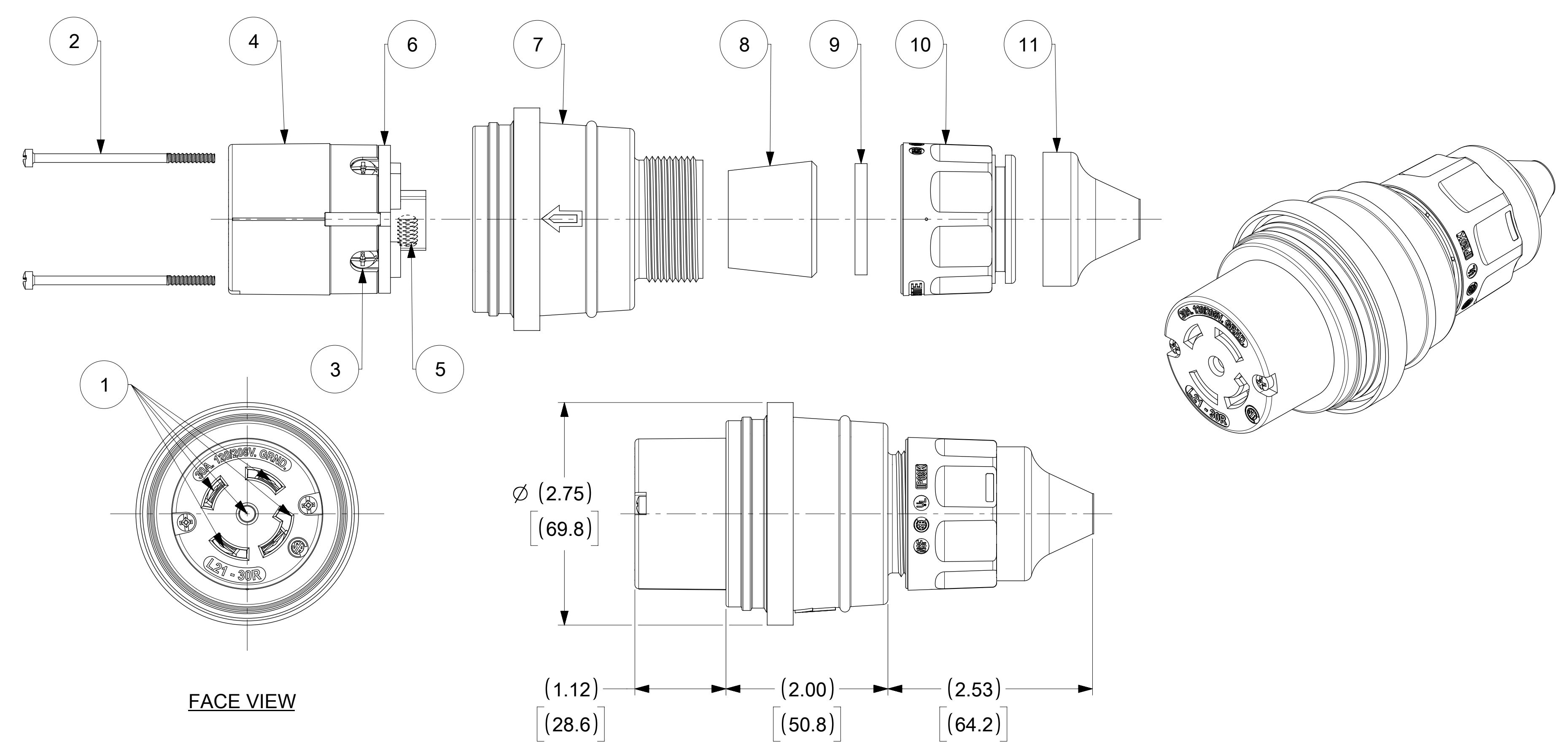


ORDER NO.	WOODHEAD NO.	COLOR
130147-0117	29W81MB	YELLOW



ITEM NO.	DESCRIPTIONS	MATERIAL	QTY.
1	BLADE	BRASS, NICKEL PLATED	5
2	RETAINING SCREWS	STAINLESS STEEL	2
3	CLAMP AND TERMINAL SCREW ASSY	BRASS, ZINC PLATED	4
4	INSERT	NYLON	1
5	SET SCREW	STAINLESS STEEL	1
6	TERMINAL COVER	POLYCARBONATE	1
7	HOUSING	SILICONE WITH NYLON THREAD	1
8	GROMMET	RUBBER	2
9	FRICTION RING	NYLON	1
10	COMPRESSION NUT	NYLON	1
11	CABLE GLOVE	SILICONE	1

NOTE:  
1. "ACCEPT CABLE RANGE FROM .562" TO 1.00"

<b>SYMBOLS</b> DIMENSION UNITS: INCH[MM] SCALE: NTS GENERAL TOLERANCES (UNLESS SPECIFIED): 4 PLACES ± ± 3 PLACES ± ± 2 PLACES ± ± 1 PLACE ± ± 0 PLACES ± ± ANGULAR TOL ± ° DRAFT WHERE APPLICABLE MUST REMAIN WITHIN DIMENSIONS THIRD ANGLE PROJECTION	THIS DRAWING CONTAINS INFORMATION THAT IS PROPRIETARY TO MOLEX ELECTRONIC TECHNOLOGIES, LLC AND SHOULD NOT BE USED WITHOUT WRITTEN PERMISSION		CURRENT REV DESC: EC NO: 617702 DRWN: SRPATIL 2019/02/20 CHK'D: DNGUYEN62 2019/05/24 APPR: HKNEELAND 2019/10/16		 WATERTITE CONNECTOR MOTOR BASE 4P5W L21-30 PRODUCT CUSTOMER DRAWING
	INITIAL REVISION: DRWN: SRPATIL 2019/02/20 APPR: HKNEELAND 2019/10/16	DOCUMENT NUMBER <b>1301470117</b>	DOC TYPE PSD	DOC PART 000	
MATERIAL NUMBER SEE TABLE	CUSTOMER GENERAL MARKET	SERIES <b>C-SIZE 130147</b>	SHEET NUMBER 1 OF 1		