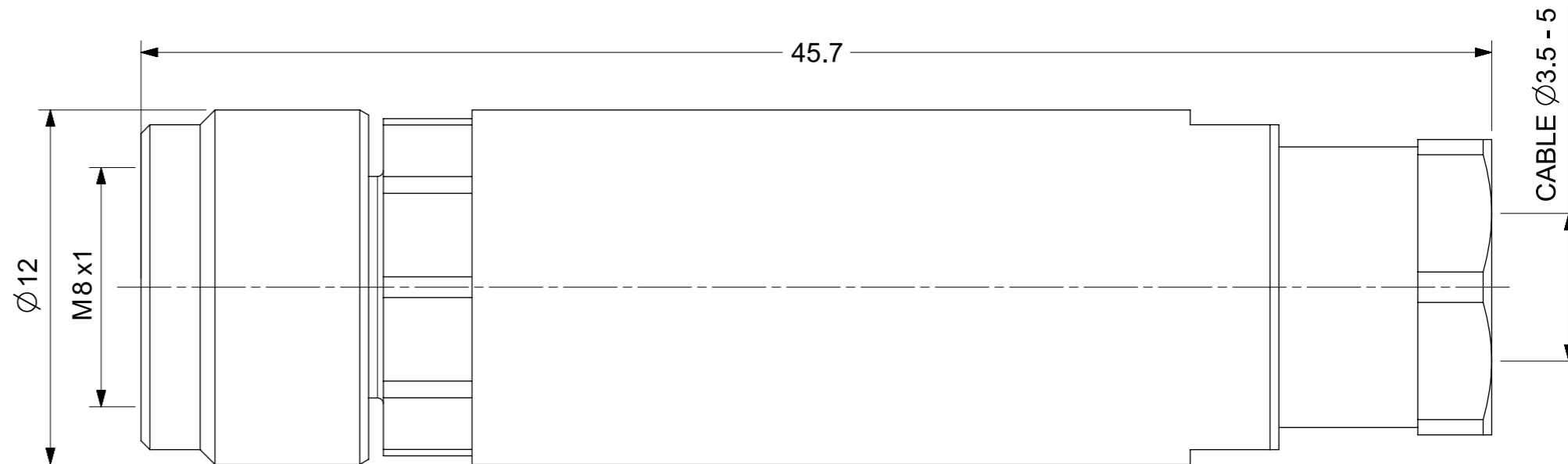
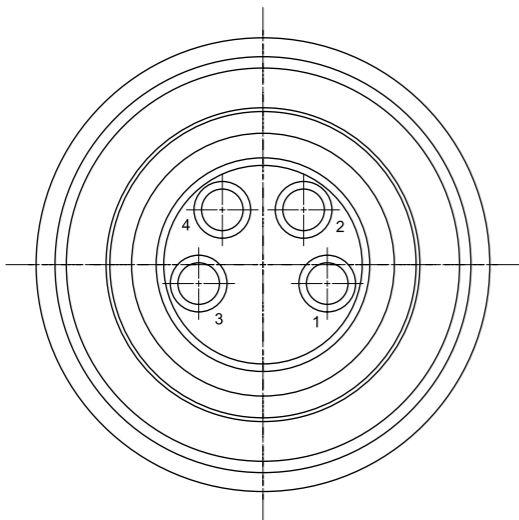
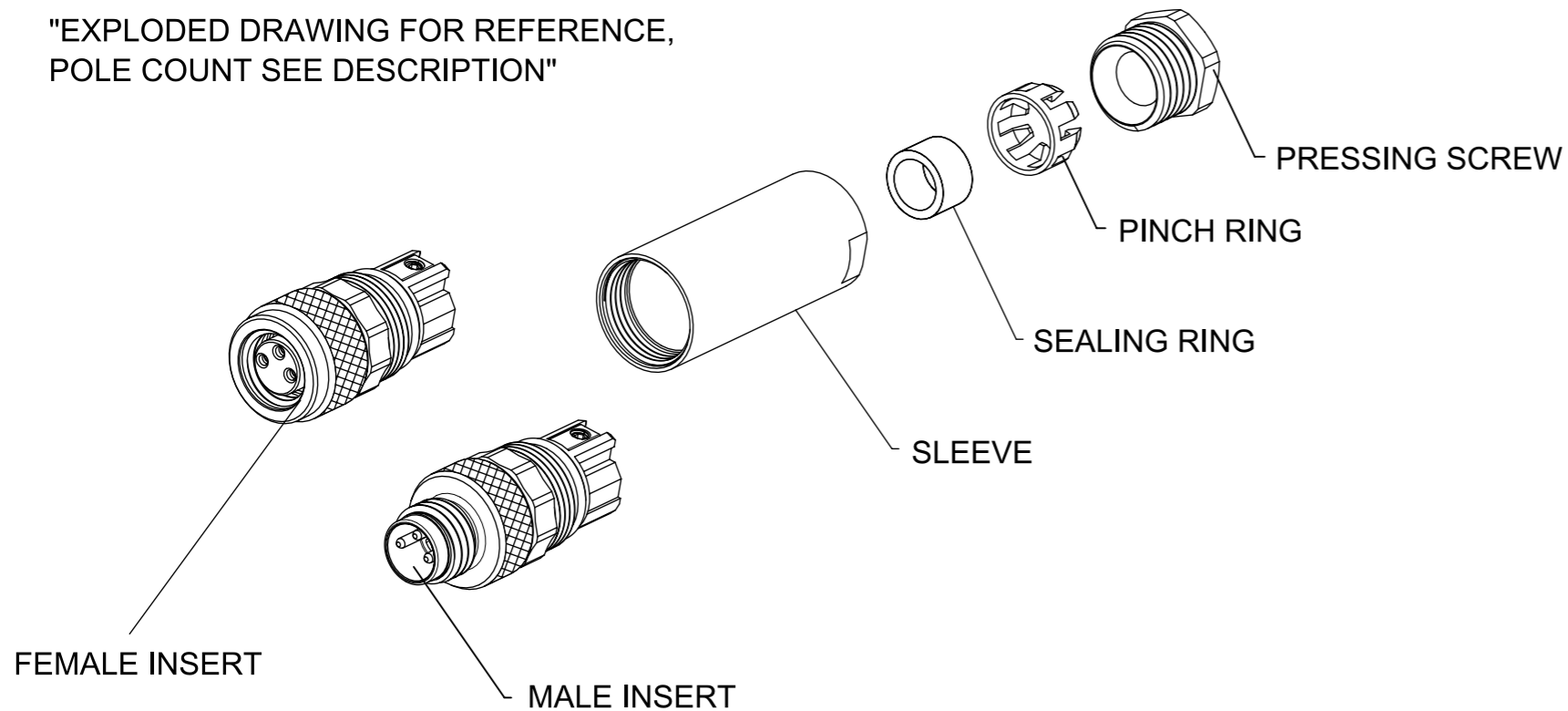


"EXPLODED DRAWING FOR REFERENCE,
POLE COUNT SEE DESCRIPTION"



NOTES:

1. LOCKING SYSTEM: SCREW
WIRE GAUGE: 0.14 - 0.50 mm²
CABLE OUTLET: 3.5 - 5 mm
2. ELECTRICAL DATA:
CURRENT RATING: 4 A
VOLTAGE RATING: 60 V
3. MECHANICAL:
OPERATING TEMP.: -40° C to +85° C
PROTECTION CLASS: IP 67
4. MATERIAL:
CONTACT: CuZn (BRASS)
CONTACT PLATING: Au (GOLD)

PENDING APPROVAL

ENG.-NO.: N04FA03134

THIS DRAWING CONTAINS INFORMATION THAT IS PROPRIETARY TO MOLEX ELECTRONIC TECHNOLOGIES, LLC AND SHOULD NOT BE USED WITHOUT WRITTEN PERMISSION									
FUNCTIONAL SYMBOLS	DIMENSION UNITS	SCALE	CURRENT REV DESC: VOLTAGE RATING CHANGED						
▽A = 0	mm	5:1	molex FA M8 4P FE STR SCR UNSH PRODUCT CUSTOMER DRAWING						
▽E = 0	GENERAL TOLERANCES (UNLESS SPECIFIED)								
▽F = 0	ANGULAR TOL ± 1.0 °								
▽G = 0	4 PLACES ±								
DIVISIONAL SYMBOLS	3 PLACES ±		EC NO: 661358	2021/04/19			DOCUMENT NUMBER		
	2 PLACES ± 0.05		DRWN: RSCHIEBER				1200910026		
	1 PLACE ± 0.1		CHK'D:				PSD 000 A3		
	0 PLACES ± 0.2		APPR: CBRUNS	2016/04/08			SHEET NUMBER		
DRAFT WHERE APPLICABLE MUST REMAIN WITHIN DIMENSIONS			THIRD ANGLE PROJECTION	DRAWING	SERIES	MATERIAL NUMBER	CUSTOMER	SHEET NUMBER	
				A3-SIZE	120091	1200910026	GENERAL MARKET	1 OF 1	

DOCUMENT STATUS	RQ	RELEASE DATE	
-----------------	----	--------------	--