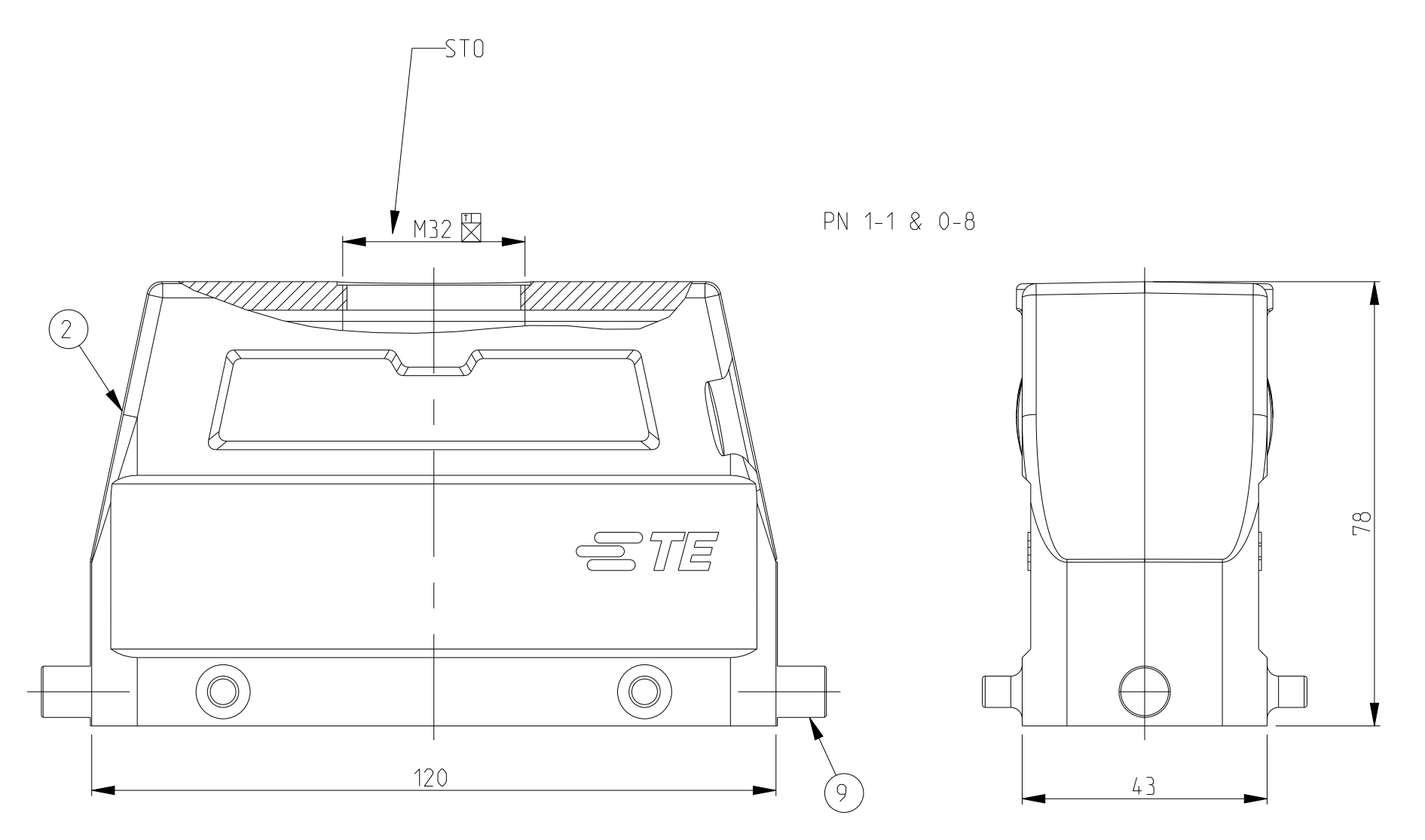
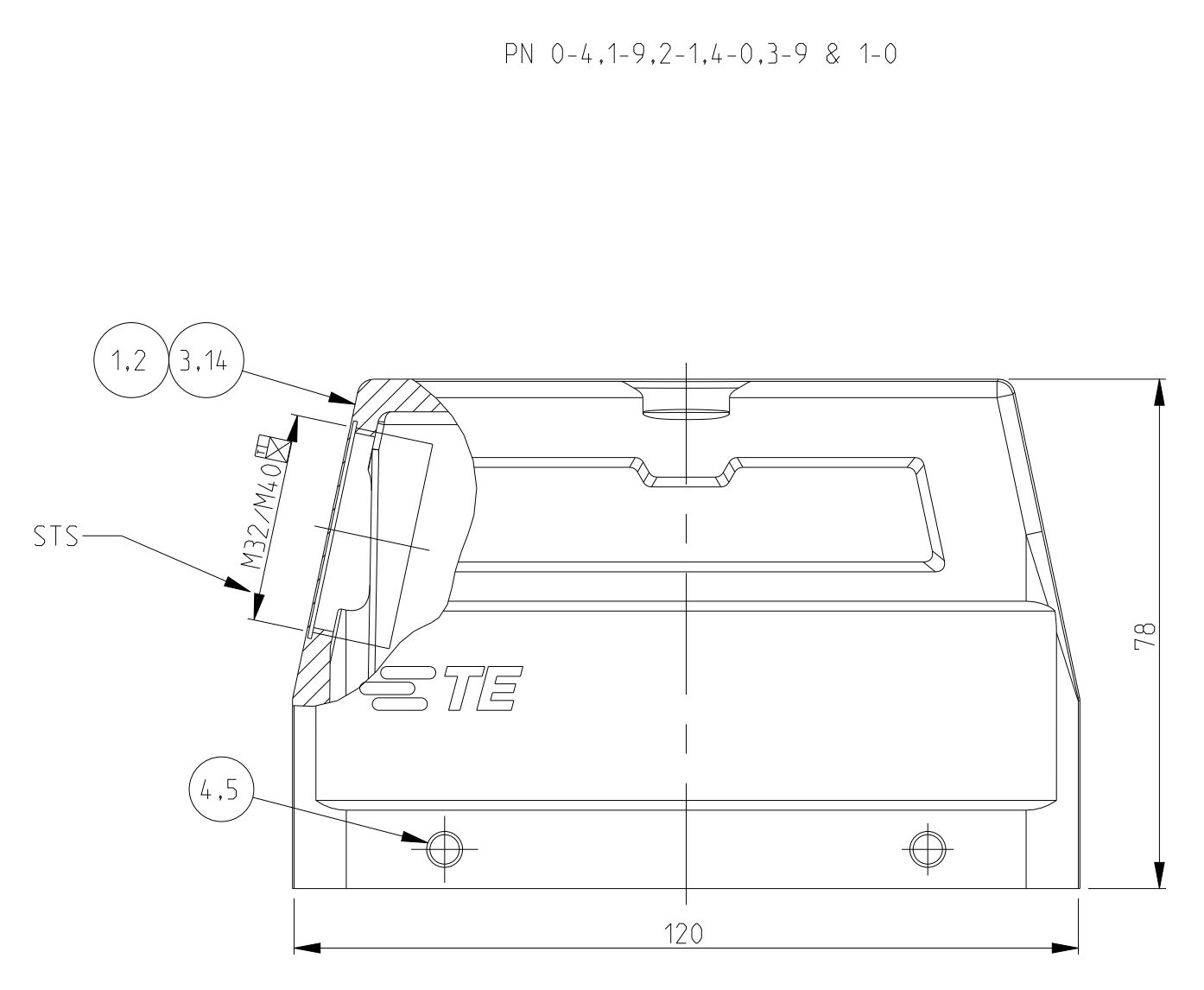
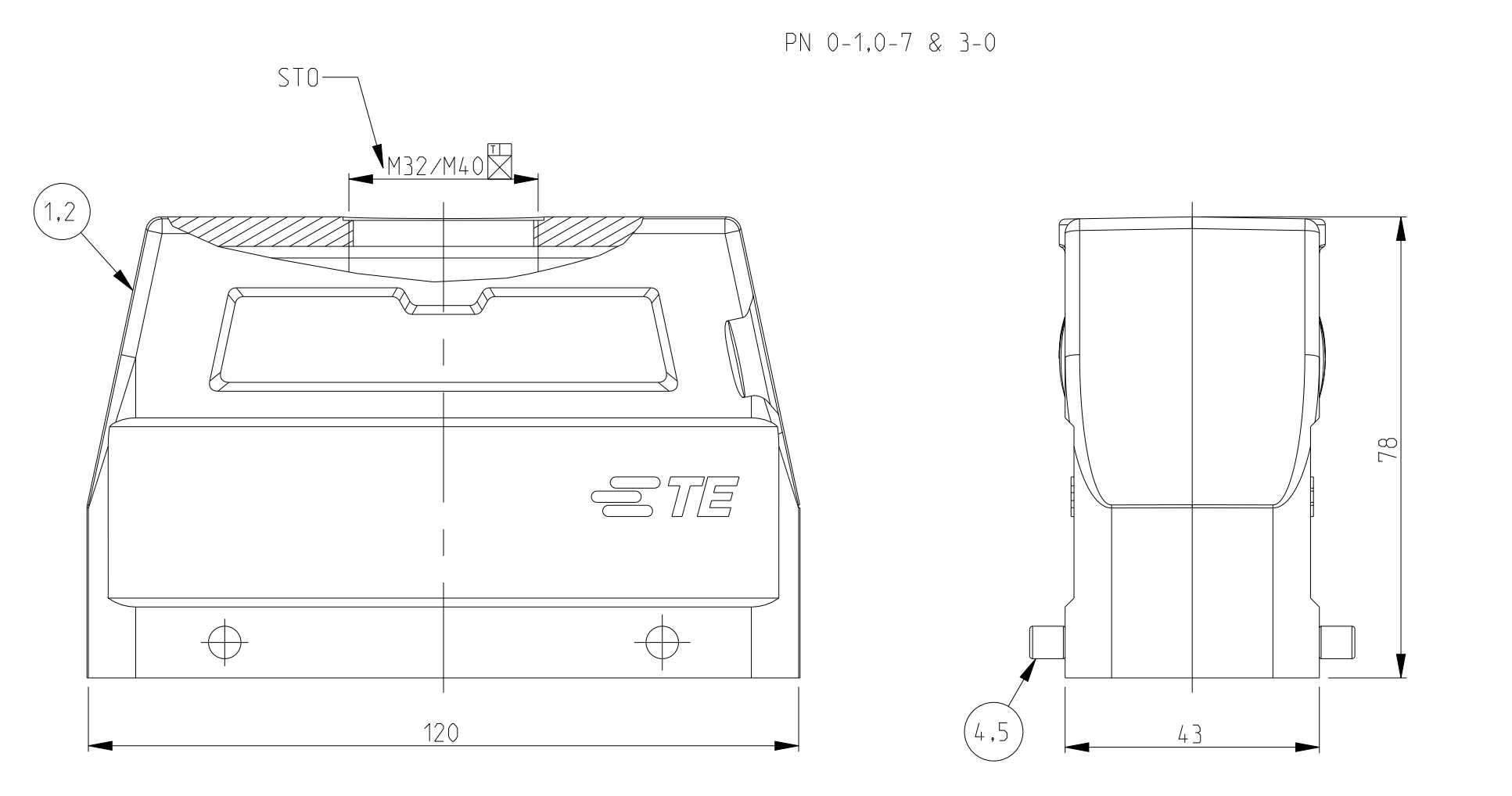
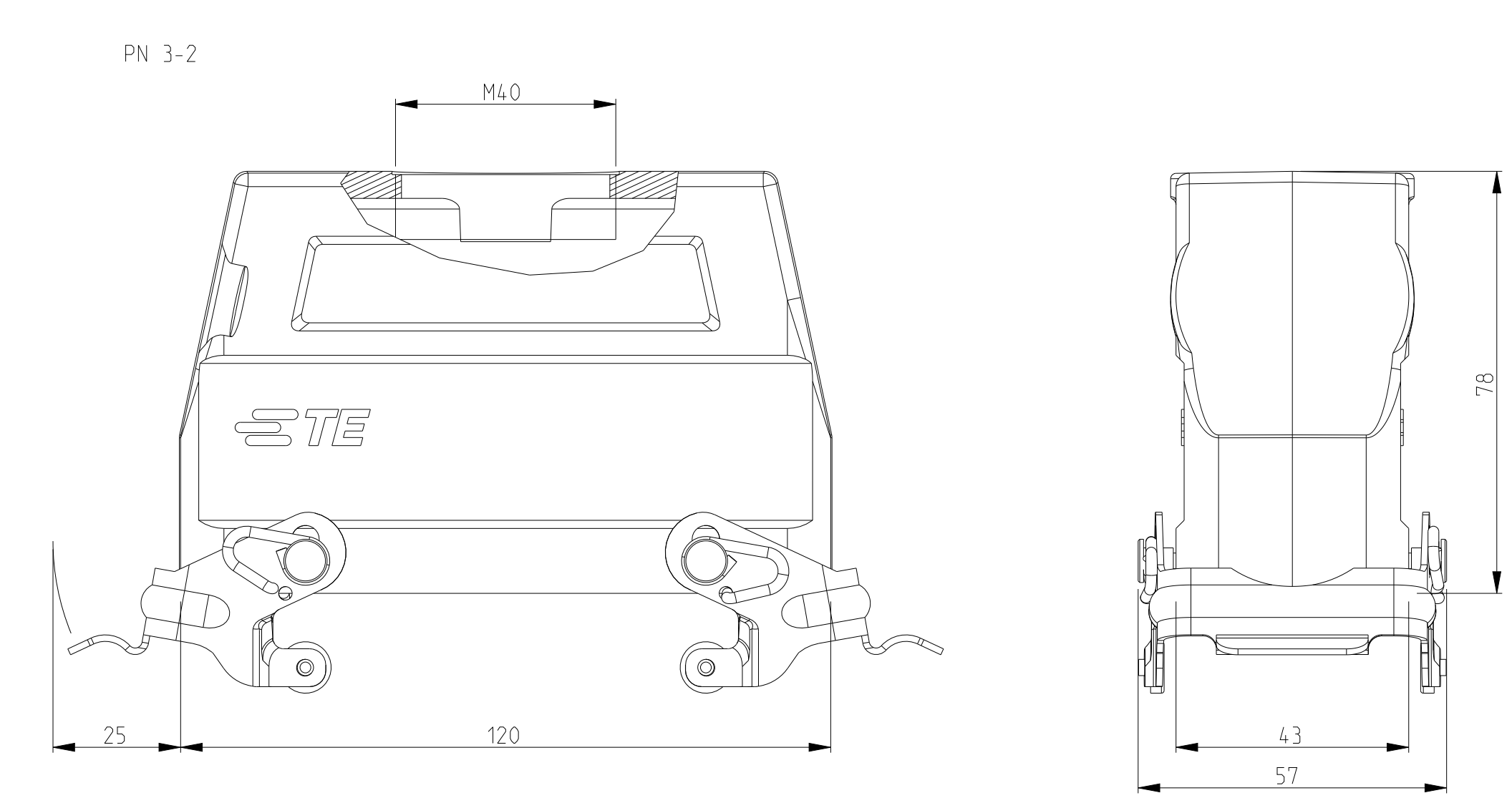
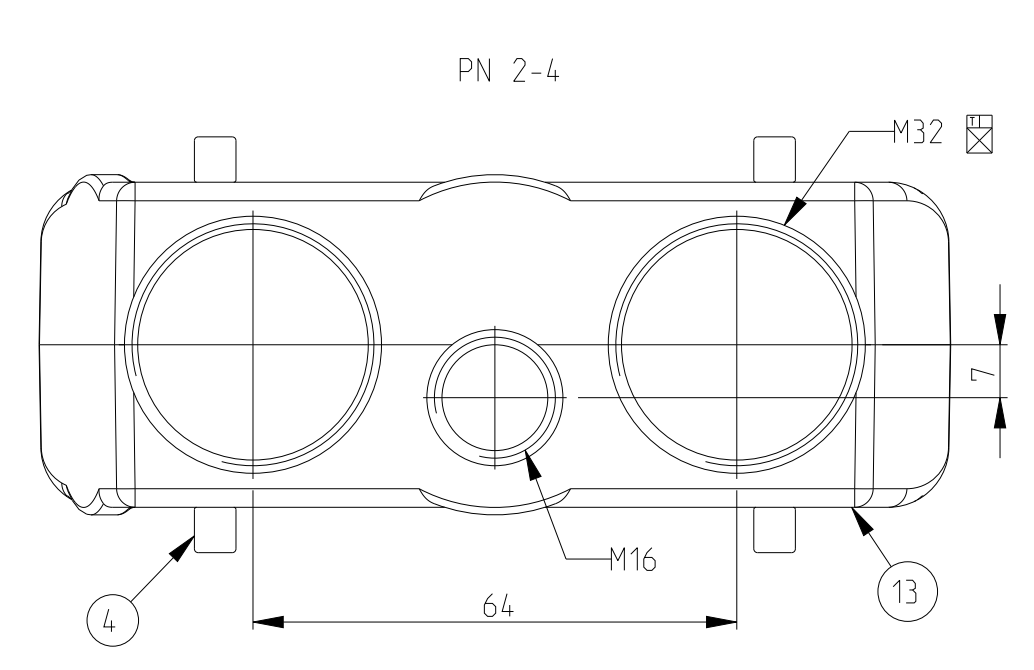
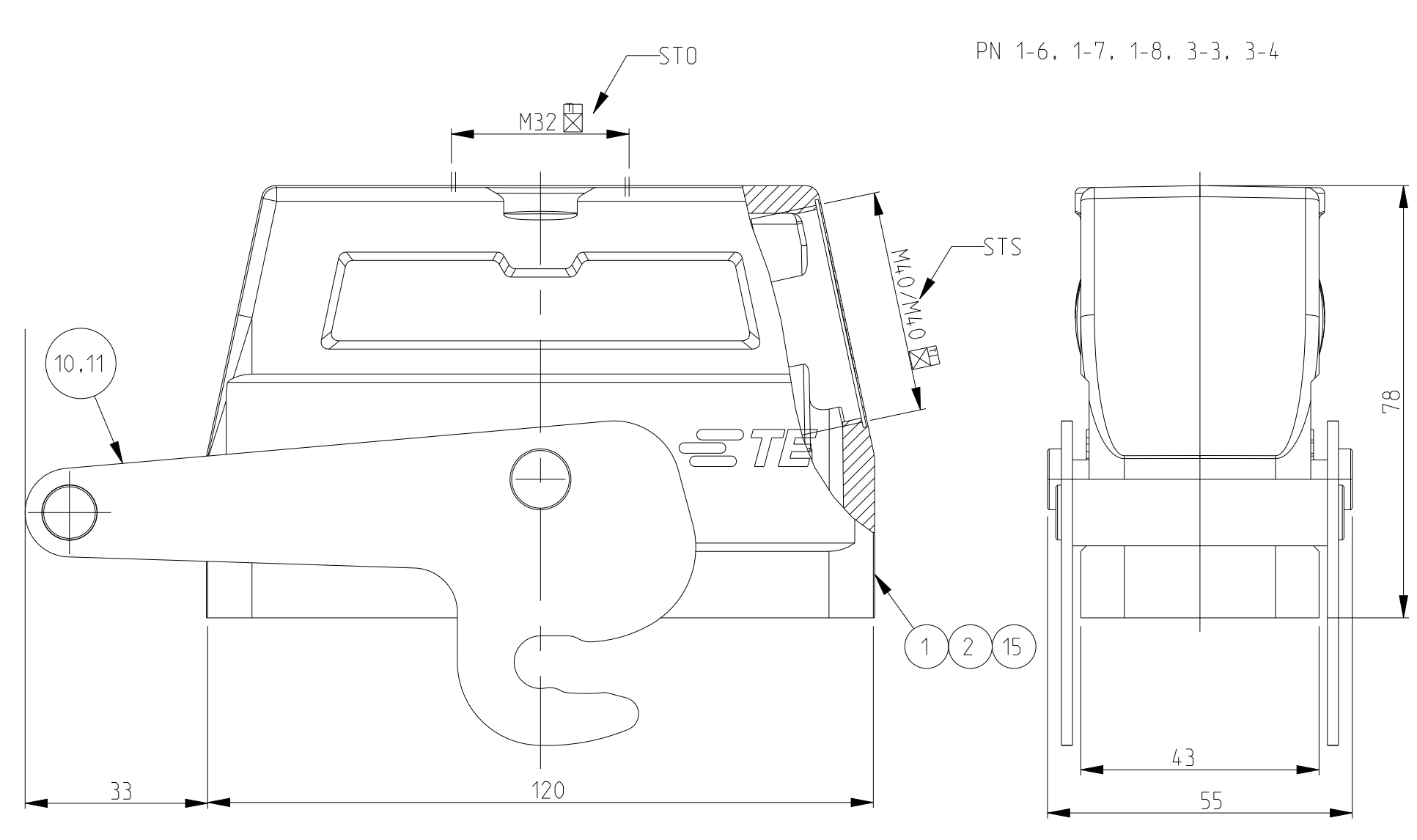
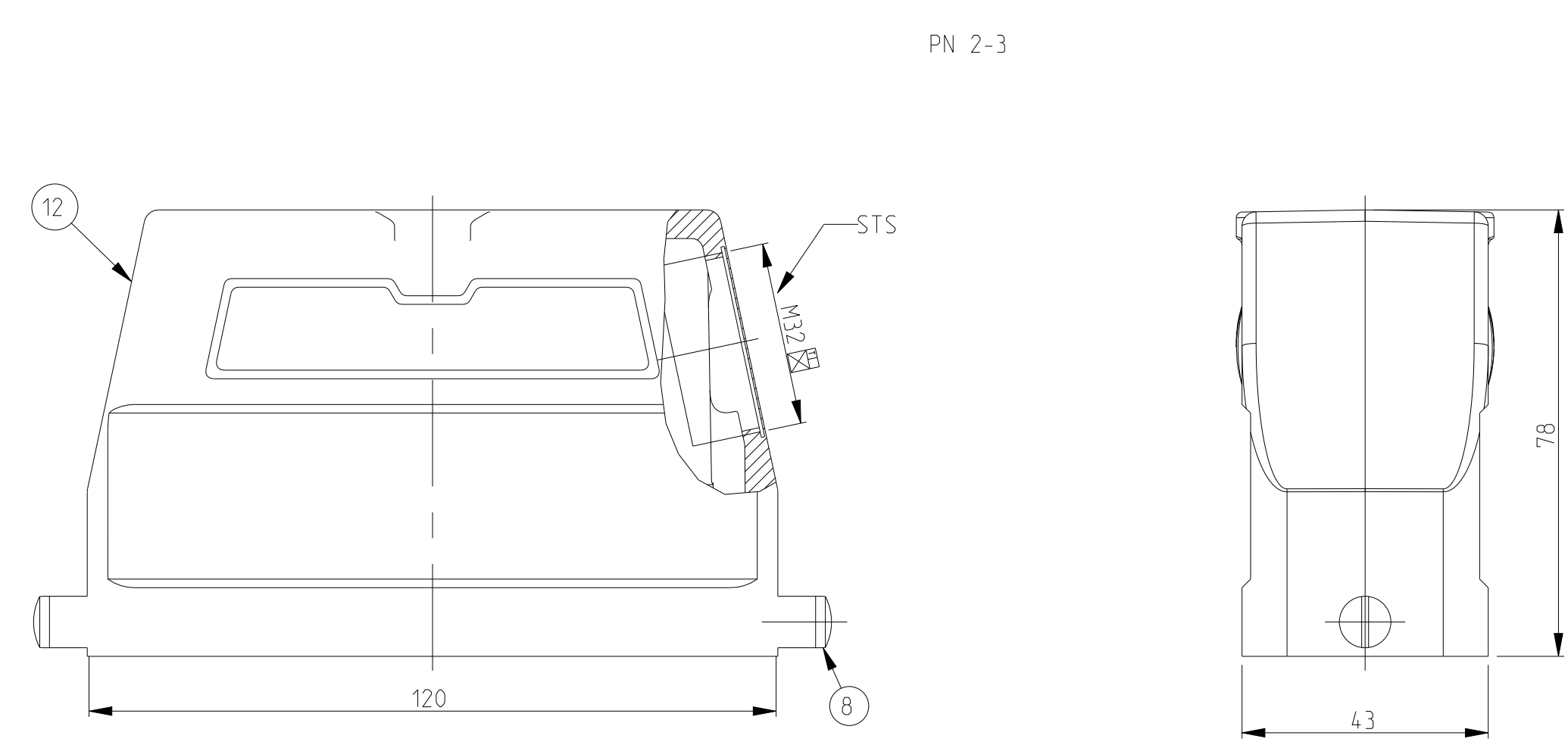
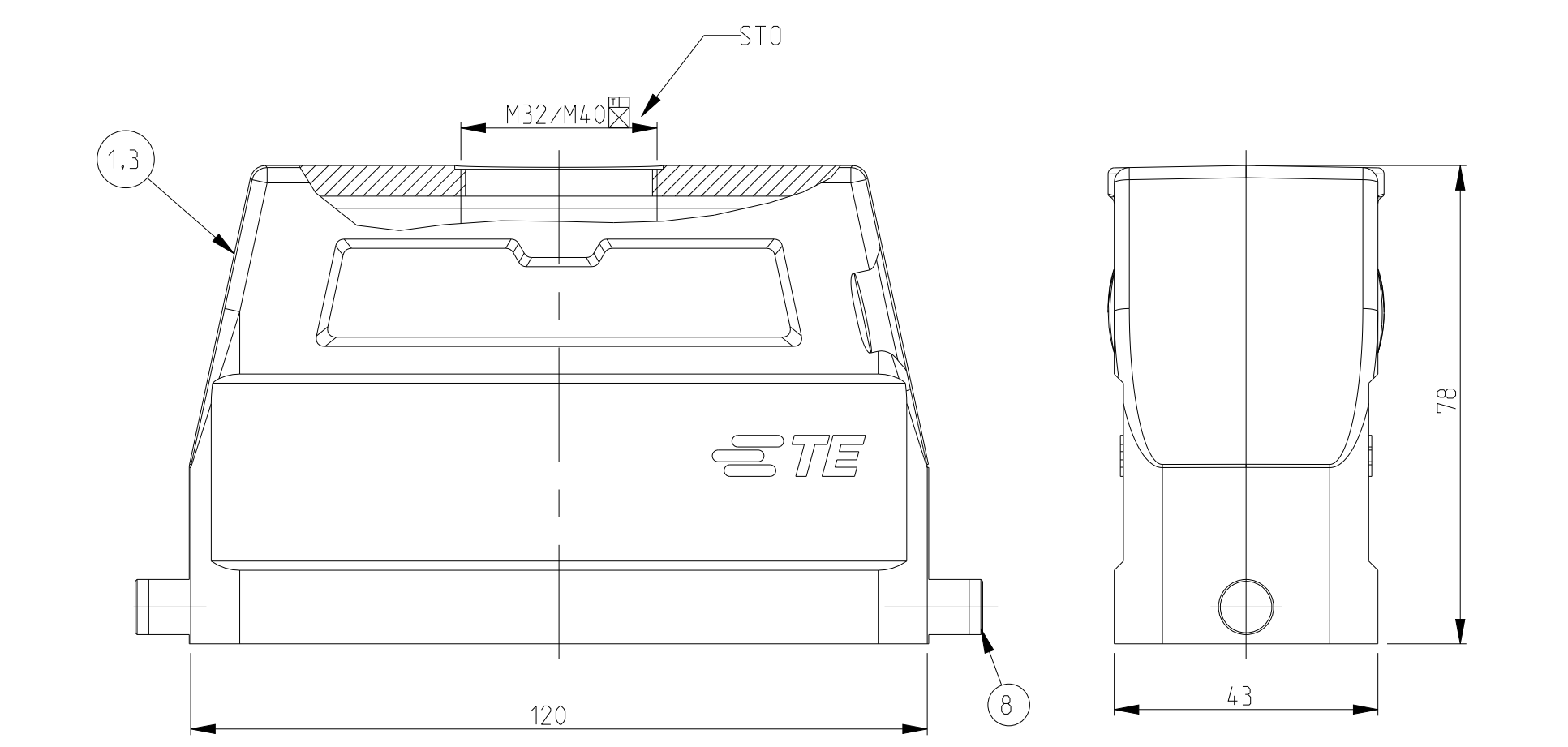
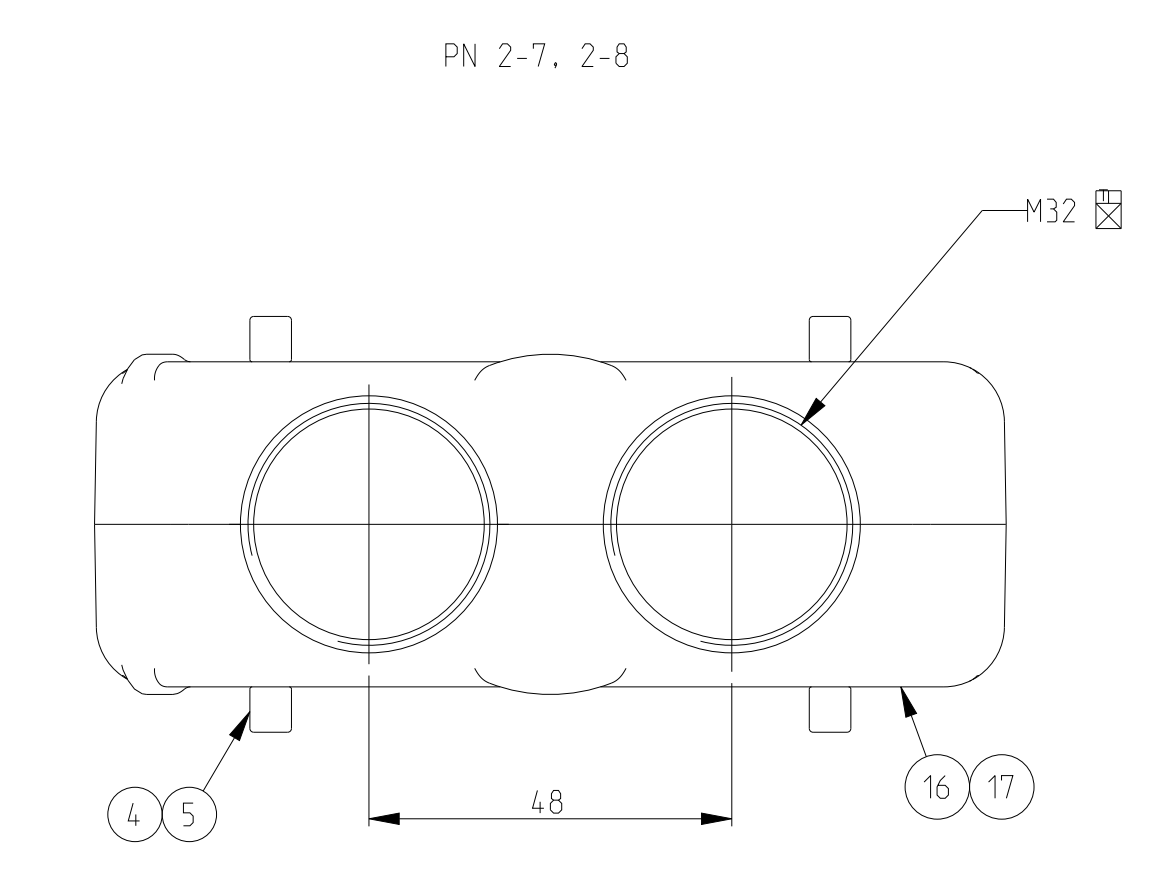
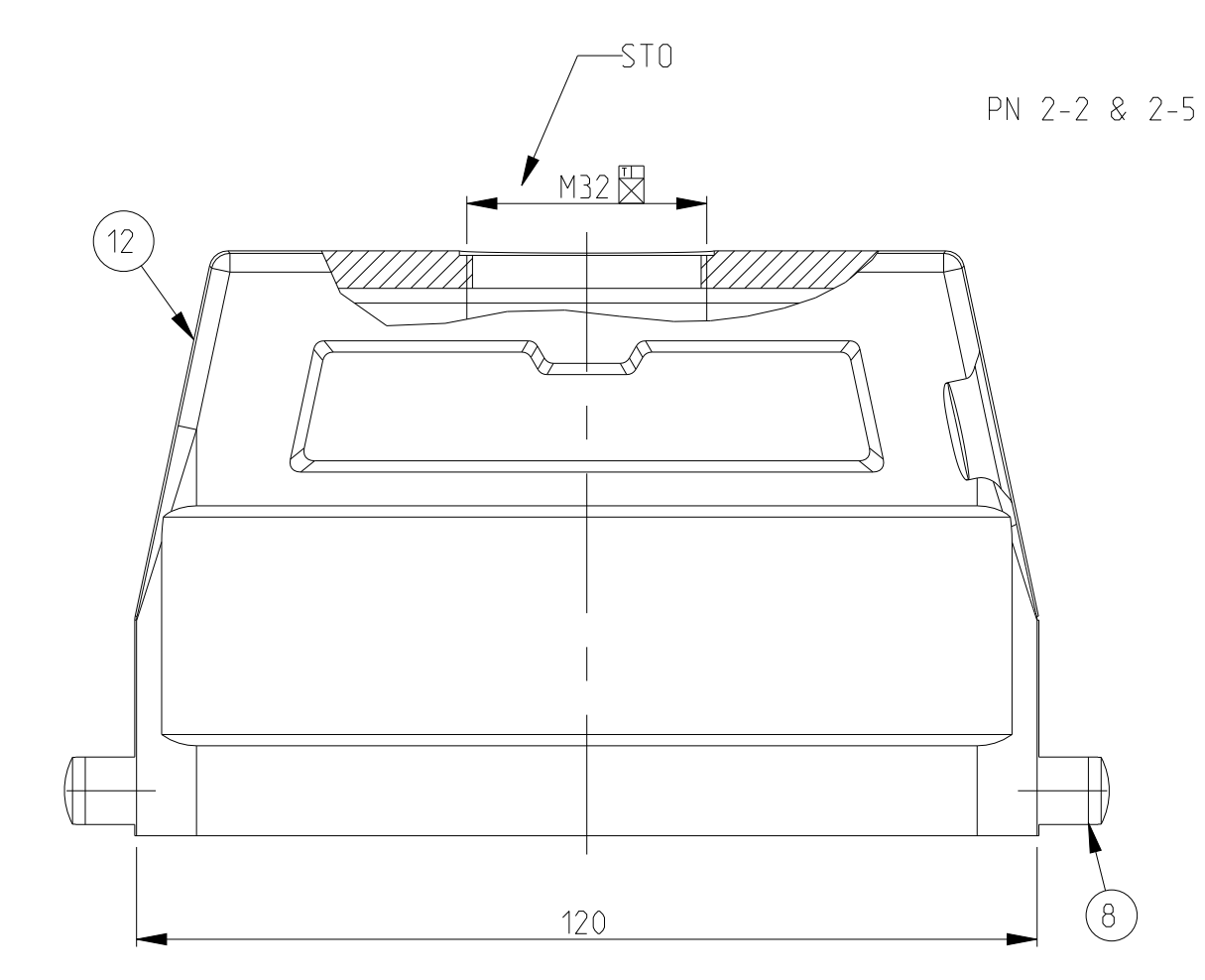
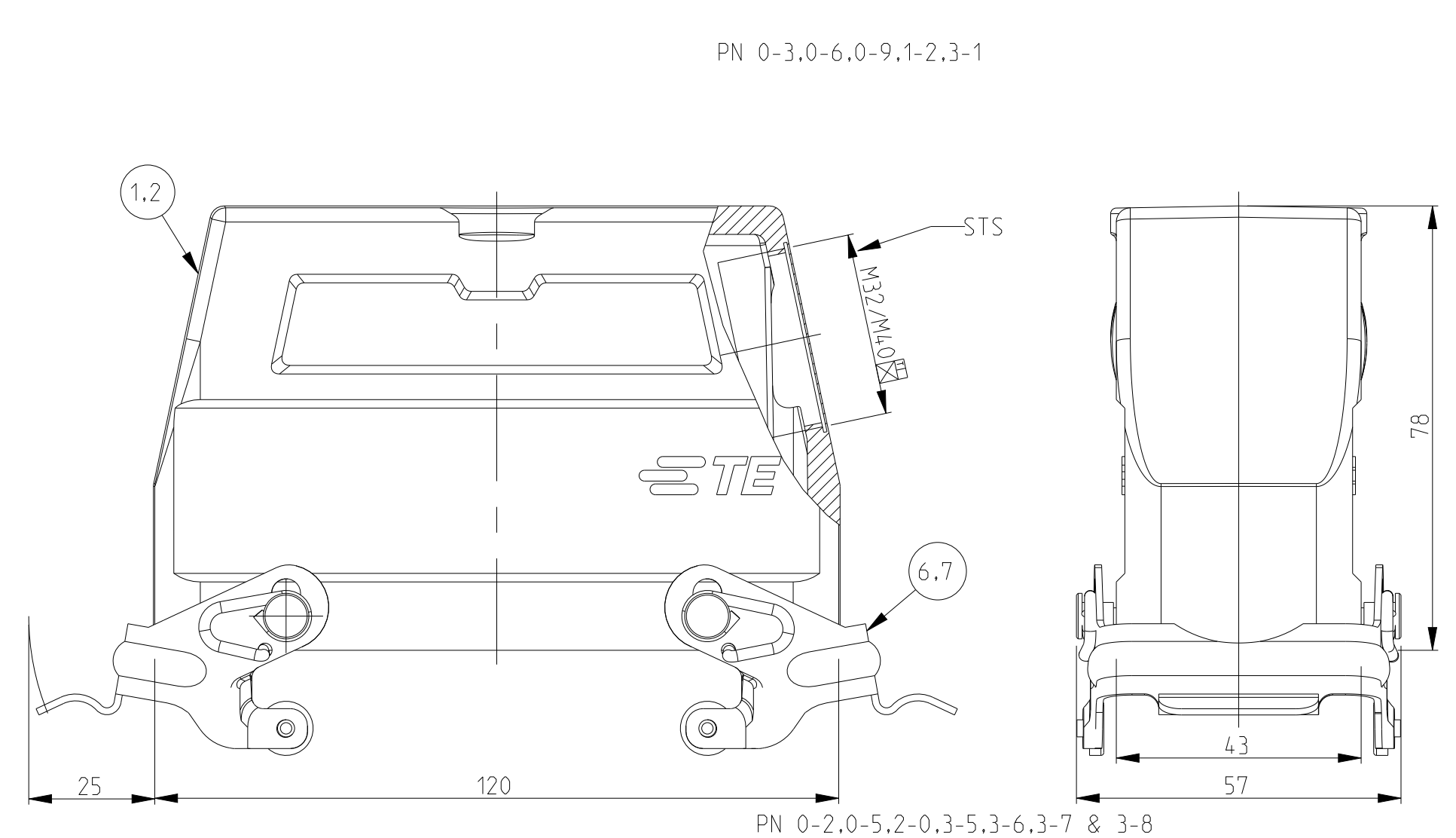


REVISIONS				
NO	DATE	DESCRIPTION	DATE	APPD
A20		REVISED PER ECR-21-123564	10MAR2022	RK



- NOTES.
- Material:Housing:Aluminium Diecasting Alloy
 - Surface:Varnish grey
 - Varnish on the inside not necessary
 - Packaging Quantity 5 Pieces in a box
 - Without TE-Product sign
 - Special Packaging Quantity 50 Pieces in a Kanban box



QTY	DESCRIPTION	MATERIAL	SURFACE	COLOR	ITEM NO	NOTES
1	HD-K HOOD	Aluminium	Aluminium oxide	Black	17	
1	HD HOOD	Aluminium		GREY	16	
1	HD HOOD	Aluminium		GREY	15	
1	HD-EMV Hood	Aluminium	chromit Al passivation	Black	14	
1	HD Hood	Aluminium		Grey	13	
1	HD Hood	Aluminium	Neutral	Grey	12	Without TE-Logo
1	ZB-Central clip	Stainless steel	Blank		11	
1	ZB-Central clip	Steel	Zinc plated	Blue	10	
1	LB-Clip bolt	Stainless steel	Blank	Blue	9	
2	LB-Clip bolt	Steel	Zinc plated	Blue	8	
2	VS-Side clip	Stainless steel	Blank	Blue	7	
2	VS-Side clip	Steel	Zinc plated	Blue	6	
2	VS-Clip bolt	Stainless steel	Blank	Blue	5	
2	VS-Clip bolt	Steel	Zinc plated	Blue	4	
1	HD Hood	Aluminium		Grey	3	Without TE-Logo
1	HD-K Hood	Aluminium	Aluminium oxide	Black	2	
1	HD Hood	Aluminium		Grey	1	

THIS DRAWING IS A CONTROLLED DOCUMENT.

DATE: 30-Nov-07
 DRAWN BY: Schneider
 CHECKED BY: Schneider
 APPROVED BY: Schneider

PRODUCT SPEC: 108-74001/74003
 APPLICATION REF: 114-74001/74004

Customer Drawing

SCALE: 5:1

SHEET 1 OF 1

REV: A20

STE TE Connectivity

Hood
 HD.64.STS.M32/1.M4.0.G

1106470