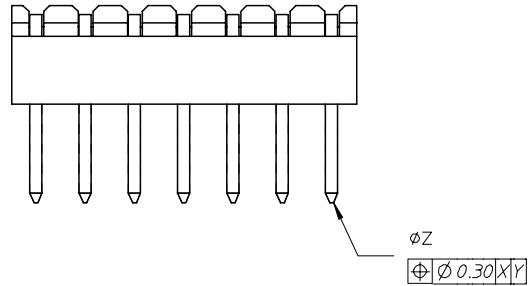
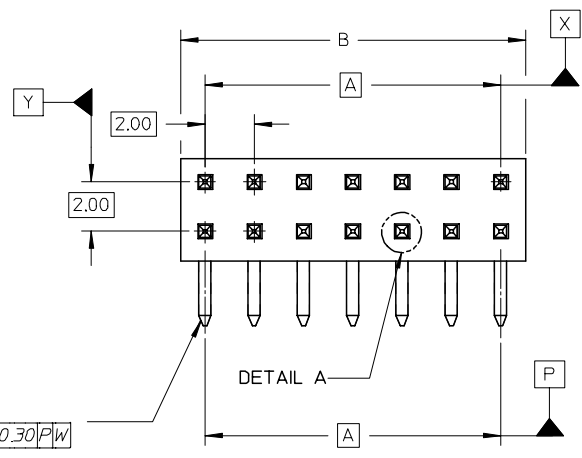
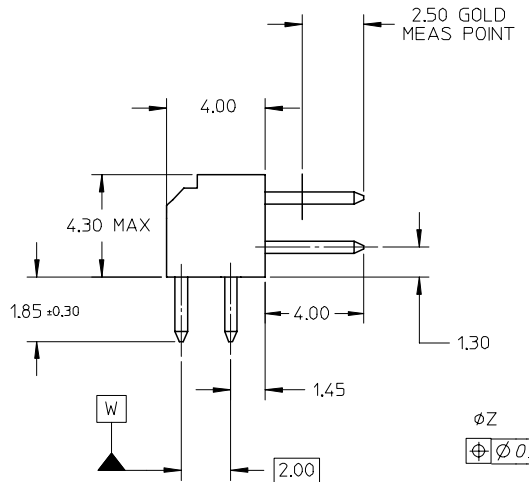


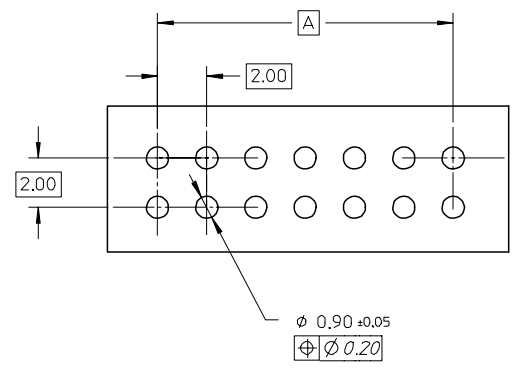
DETAIL A



- NOTES:
1. MATERIAL:
HSG: PCT, 30% GLASS FILLED, UL 94V-0, COLOUR BLACK.
PIN: 0.50MM SQ PHOSPHOR BRONZE 510
 2. PLATING:
GOLD FLASH IN CONTACT AREA,
TIN IN SOLDER TAIL AREA, BOTH OVER NICKEL OVERALL
 3. 14 CKT USED FOR ILLUSTRATION ONLY
 4. PART TO BE PACKED IN TAPE & REEL (SEE SHT 2).
 5. PRODUCT SPEC PS-87761-100 APPLIES.



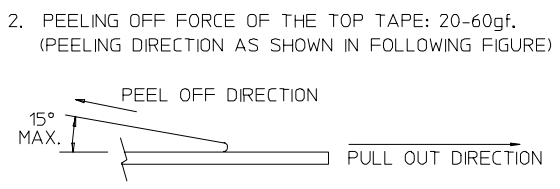
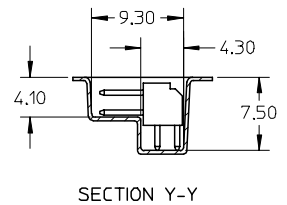
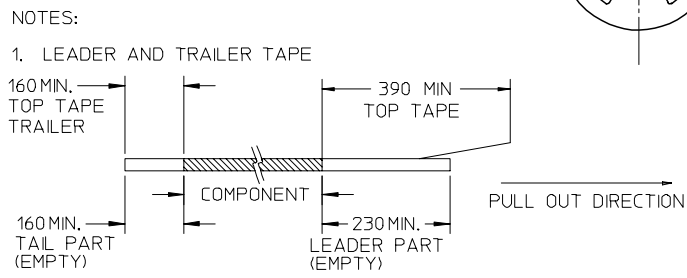
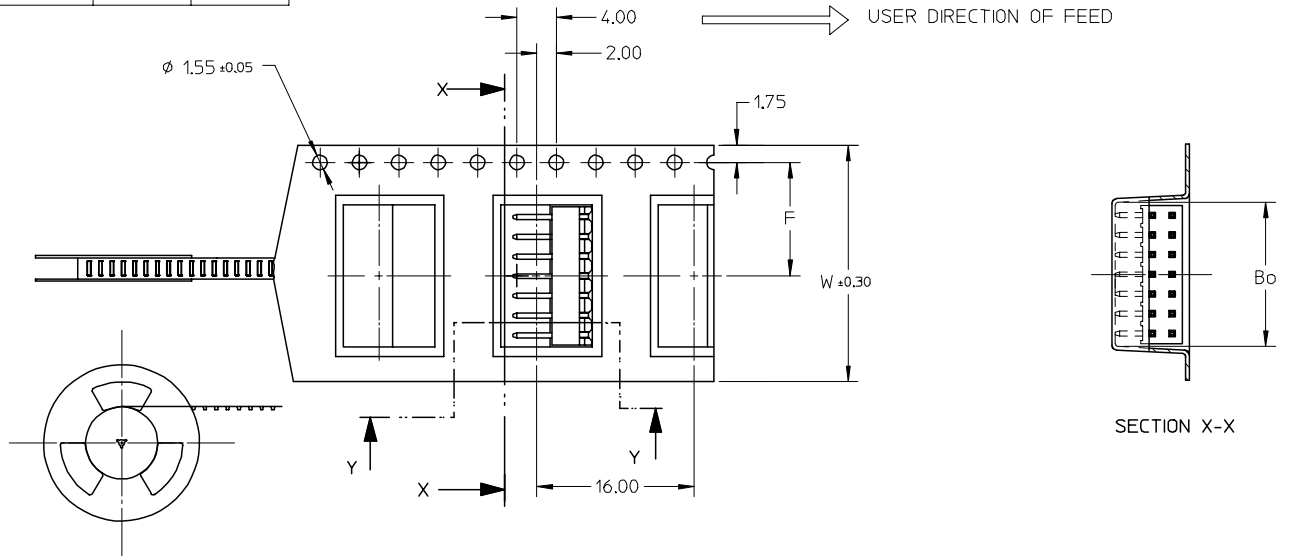
DETAIL A



RECOMMENDED PCB LAYOUT

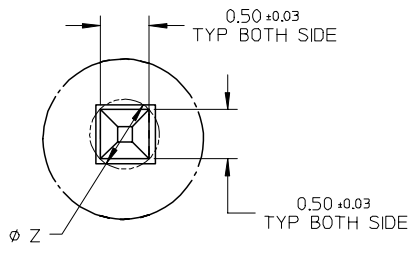
EC NO: S2005-0842 2005/06/01 DRAWN: YLQ1A0 2005/06/01 CHKD: PTLIM 2005/06/01 APPR: SCLOW 2005/06/01	QUALITY SYMBOLS ▽=0 ▽=0	GENERAL TOLERANCES (UNLESS SPECIFIED)		DIMENSION STYLE MM ONLY		SCALE NTS	DESIGN UNITS METRIC	THIRD ANGLE PROJECTION		
			mm	INCH	DRAWN BY	DATE	TITLE SALES DRAWING MGRID 2MM DUAL ROW HRD. R/A, IN TAPE & REEL			
		4 PLACES	± ---	± ---	YLQ1A0	2005/02/28				
		3 PLACES	± ---	± ---	CHECKED BY	DATE	MOLEX INCORPORATED			
2 PLACES	± 0.2	± ---	PTLIM	2005/06/01						
1 PLACE	± ---	± ---	APPROVED BY	DATE	DOCUMENT NO. SD-87760-148					
ANGULAR ± 3 °			SCLOW	2005/06/01						
DRAFT WHERE APPLICABLE MUST REMAIN WITHIN DIMENSIONS		SEE TABLE		MATERIAL NO.		SHEET NO.				
				A3		1 OF 2				

		10	9	8	7	6	5	4	3	2	1
F	PART NUMBER (IN TAPE/REEL)	CKT SIZE	A	B	Bo	F	So	W			
	87760-8011	4	2.00	4.00	4.30	7.50	-	16.00			
	87760-8012	10	8.00	10.00	10.40	11.50	-	24.00			
	87760-8013	12	10.00	12.00	12.40	11.50	-	24.00			
	87760-8014	14	12.00	14.00	14.40	11.50	-	24.00			

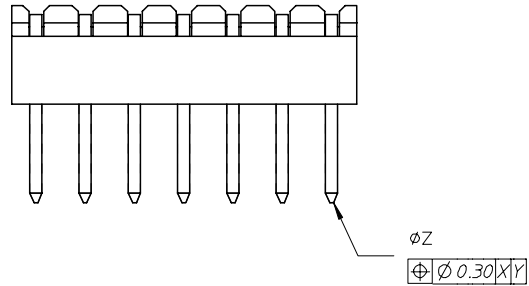


3. PACKAGING STANDARD IS AS PER EIA-481.
4. TAPE & REEL QUANTITY = 500PCS/REEL

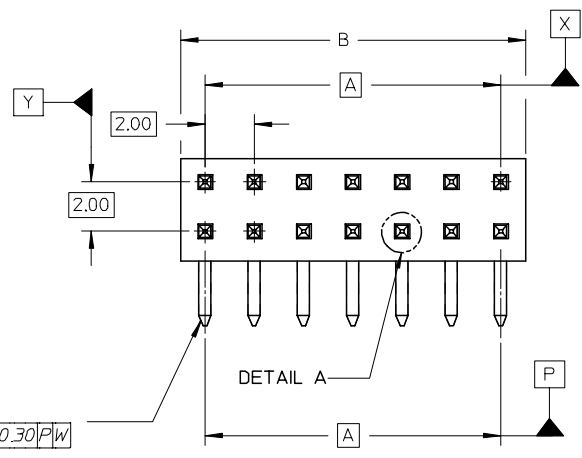
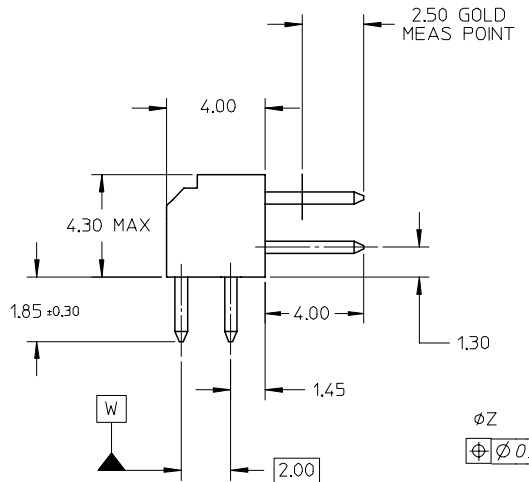
EC NO: S2005-0842 2005/06/01	DRWN: YLQIAO 2005/06/01	CHKD: PTLIM 2005/06/01	APPR: SCLOW 2005/06/01	DESCRIPTION	QUALITY SYMBOLS	GENERAL TOLERANCES (UNLESS SPECIFIED)		DIMENSION STYLE	SCALE	DESIGN UNITS	THIRD ANGLE PROJECTION	
					▽=0 ∇=0	mm	INCH	NTS	METRIC			
DRAWING DESCRIPTION					4 PLACES	± ---	± ---	DRAWN BY	DATE	TITLE SALES DRAWING MGRID 2MM DUAL ROW HRD. R/A, IN TAPE & REEL		
					3 PLACES	± ---	± ---	YLQIAO	2005/02/28			
DRAWING DESCRIPTION					2 PLACES	± 0.2	± ---	CHECKED BY	DATE	MOLEX INCORPORATED		
					1 PLACE	± ---	± ---	PTLIM	2005/06/01			
DRAWING DESCRIPTION					ANGULAR ± 3 °		APPROVED BY	DATE	DOCUMENT NO. SD-87760-148			
					DRAFT WHERE APPLICABLE MUST REMAIN WITHIN DIMENSIONS		SCLOW	2005/06/01				
DRAWING DESCRIPTION					SEE TABLE			MATERIAL NO.	SHEET NO. 2 OF 2			
					SIZE A3			THIS DRAWING CONTAINS INFORMATION THAT IS PROPRIETARY TO MOLEX INCORPORATED AND SHOULD NOT BE USED WITHOUT WRITTEN PERMISSION				



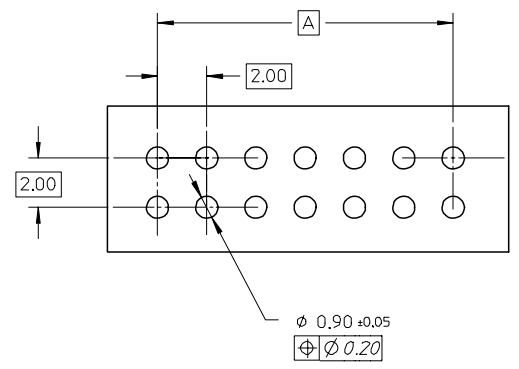
DETAIL A



- NOTES:
1. MATERIAL:
HSG: PCT, 30% GLASS FILLED, UL 94V-0, COLOUR BLACK.
PIN: 0.50MM SQ PHOSPHOR BRONZE 510
 2. PLATING:
GOLD FLASH IN CONTACT AREA,
TIN IN SOLDER TAIL AREA, BOTH OVER NICKEL OVERALL
 3. 14 CKT USED FOR ILLUSTRATION ONLY
 4. PART TO BE PACKED IN TAPE & REEL (SEE SHT 2).
 5. PRODUCT SPEC PS-87761-100 APPLIES.



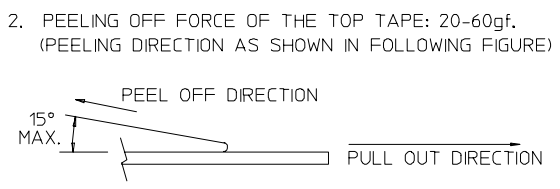
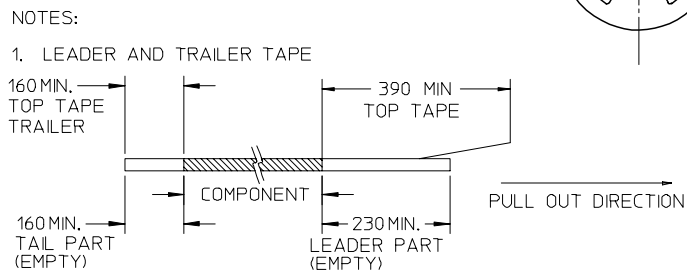
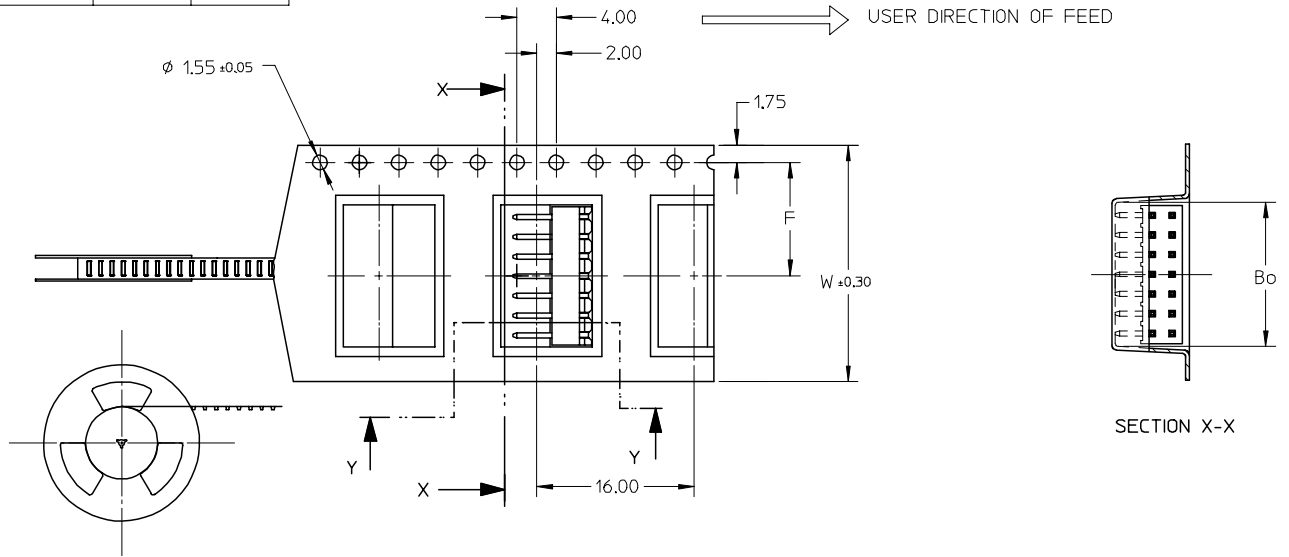
DETAIL A



RECOMMENDED PCB LAYOUT

EC NO: S2005-0842 2005/06/01 DRAWN: YLQ1A0 2005/06/01 CHKD: PTLIM 2005/06/01 APPR: SCLOW 2005/06/01	QUALITY SYMBOLS ▽=0 ▽=0	GENERAL TOLERANCES (UNLESS SPECIFIED)		DIMENSION STYLE MM ONLY		SCALE NTS	DESIGN UNITS METRIC	THIRD ANGLE PROJECTION			
				DRAWN BY YLQ1A0	DATE 2005/02/28	TITLE SALES DRAWING MGRID 2MM DUAL ROW HRD. R/A, IN TAPE & REEL					
				4 PLACES ± --- ± ---	3 PLACES ± --- ± ---	CHECKED BY PTLIM	DATE 2005/06/01	MOLEX INCORPORATED			
				2 PLACES ± 0.2 ± ---	1 PLACE ± --- ± ---	APPROVED BY SCLOW	DATE 2005/06/01				
		ANGULAR ± 3 °		MATERIAL NO. SEE TABLE		DOCUMENT NO. SD-87760-148	SHEET NO. 1 OF 2				
DRAFT WHERE APPLICABLE MUST REMAIN WITHIN DIMENSIONS		THIS DRAWING CONTAINS INFORMATION THAT IS PROPRIETARY TO MOLEX INCORPORATED AND SHOULD NOT BE USED WITHOUT WRITTEN PERMISSION									

		10	9	8	7	6	5	4	3	2	1
F	PART NUMBER (IN TAPE/REEL)	CKT SIZE	A	B	Bo	F	So	W			
	87760-8011	4	2.00	4.00	4.30	7.50	-	16.00			
	87760-8012	10	8.00	10.00	10.40	11.50	-	24.00			
	87760-8013	12	10.00	12.00	12.40	11.50	-	24.00			
	87760-8014	14	12.00	14.00	14.40	11.50	-	24.00			



3. PACKAGING STANDARD IS AS PER EIA-481.
4. TAPE & REEL QUANTITY = 500PCS/REEL

EC NO: S2005-0842 2005/06/01	DRWN: YLQIAO 2005/06/01	CHKD: PTLIM 2005/06/01	APPR: SCLOW 2005/06/01	DESCRIPTION	QUALITY SYMBOLS	GENERAL TOLERANCES (UNLESS SPECIFIED)		DIMENSION STYLE MM ONLY		SCALE NTS	DESIGN UNITS METRIC	THIRD ANGLE PROJECTION
					▽=0 ∇=0	4 PLACES ± ---	mm	INCH	DRAWN BY YLQIAO	DATE 2005/02/28	TITLE	
A					DRAFT WHERE APPLICABLE MUST REMAIN WITHIN DIMENSIONS		SEE TABLE		MOLEX INCORPORATED		SD-87760-148	
					MATERIAL NO.		DOCUMENT NO.		SHEET NO.			
							THIS DRAWING CONTAINS INFORMATION THAT IS PROPRIETARY TO MOLEX INCORPORATED AND SHOULD NOT BE USED WITHOUT WRITTEN PERMISSION				2 OF 2	