

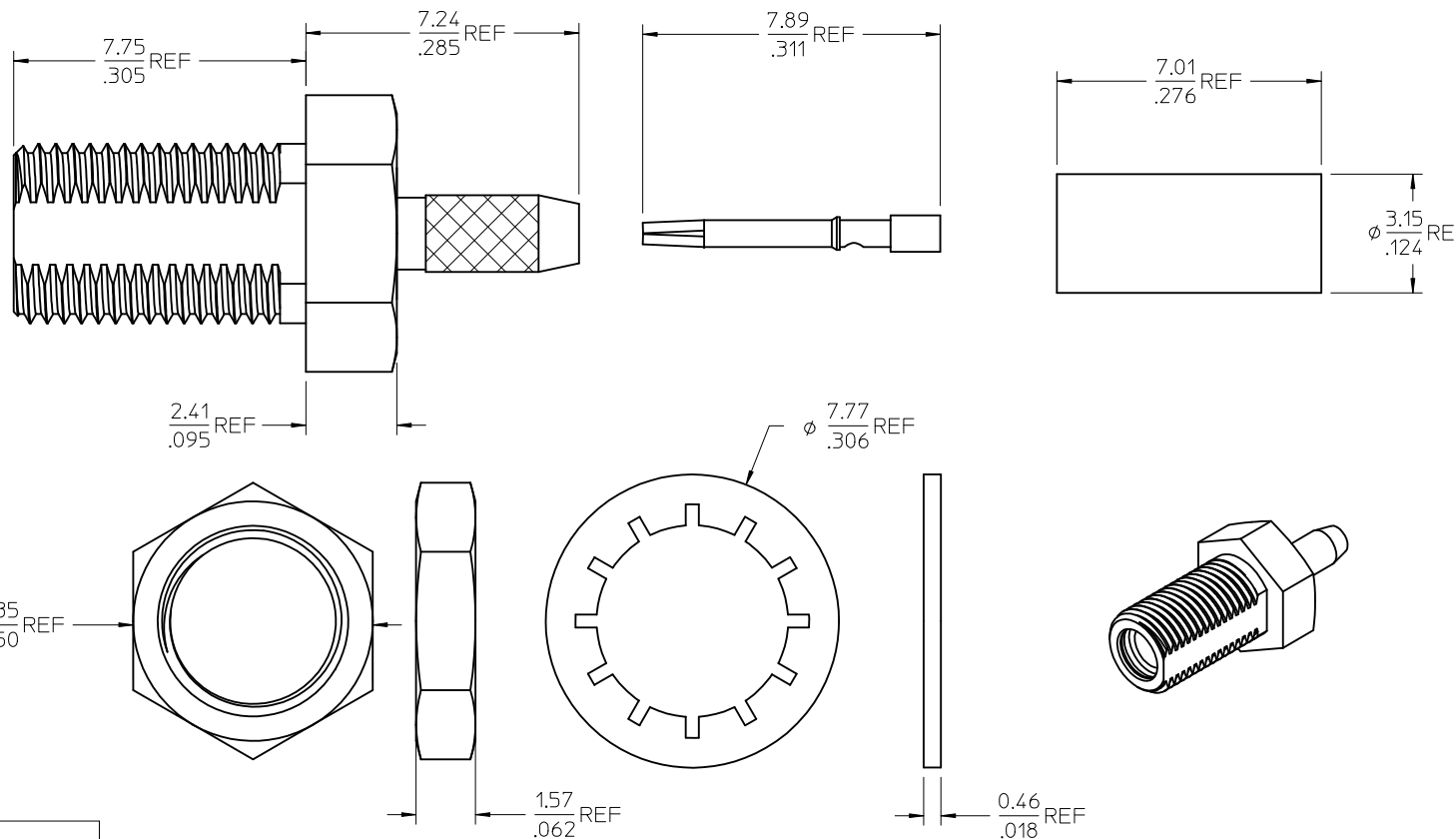
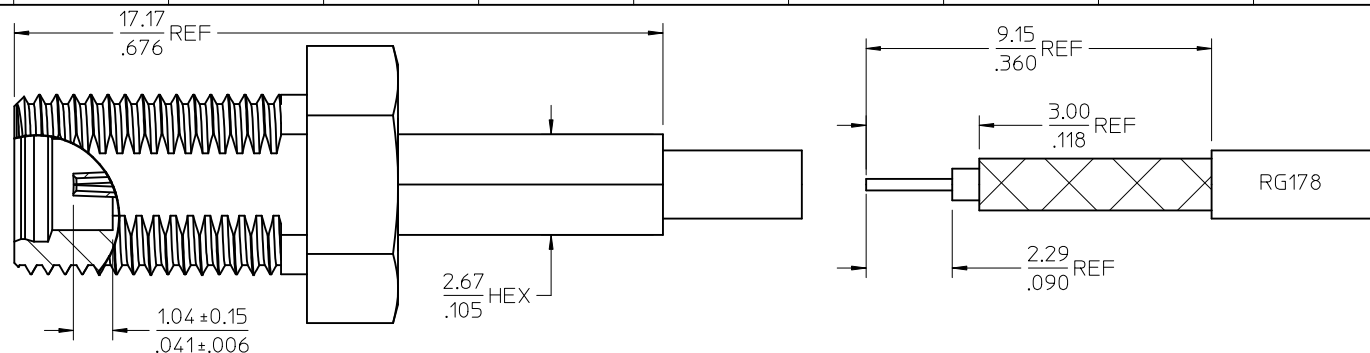
MATERIALS AND FINISHES

BODY: BRASS
PLATED GOLD

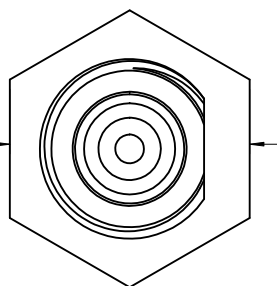
REAR BODY, JAM NUT, CRIMP TUBE: BRASS
PLATED GOLD

LOCK WASHER: PHOSPHOR BRONZE
PLATED GOLD

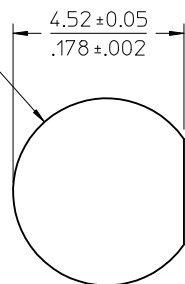
CONTACT: BERYLLIUM COPPER
PLATED GOLD



6.35 REF
.250



∅ 4.95 ± 0.05
.195 ± 0.002



PANEL CUT-OUT

PART # 73415-6280

CECC-22-340	INTERFACE
SPECIFICATION	DESCRIPTION

CHG: NEW DRAWING. EC NO: URF2009-0333 DRWN:ROBERTSON 2008/12/15 CHKD:SSS 2008/12/15 APPR:JWIENER 2008/12/15	
QUALITY SYMBOLS ▽=0 ▽=0	GENERAL TOLERANCES (UNLESS SPECIFIED) 4 PLACES ± --- ± --- 3 PLACES ± --- ± --- 2 PLACES ± --- ± --- 1 PLACE ± --- ± --- ANGULAR ± 2 °

DIMENSION STYLE MM/IN	SCALE METRIC	DESIGN UNITS METRIC	THIRD ANGLE PROJECTION
DRAWN BY AZR	DATE 2007/04/16	TITLE MMCX JACK FOR RG178 BULKHEAD MOUNT MMCX-JC, EWR-3322	
CHECKED BY SSS	DATE 2007/04/16	APPROVED BY JDW	
MATERIAL NO. 734156280	DOCUMENT NO. SD-73415-628	SHEET NO. 1 OF 1	SIZE C

DRAFT WHERE APPLICABLE
MUST REMAIN
WITHIN DIMENSIONS

THIS DRAWING CONTAINS INFORMATION THAT IS PROPRIETARY TO MOLEX
INCORPORATED AND SHOULD NOT BE USED WITHOUT WRITTEN PERMISSION