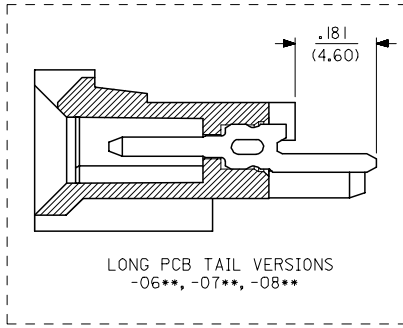
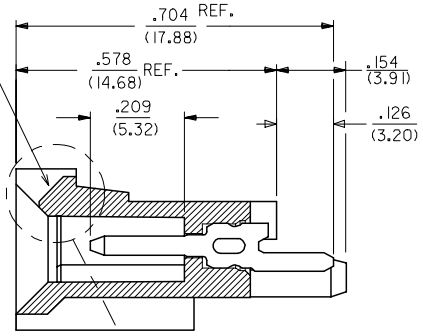
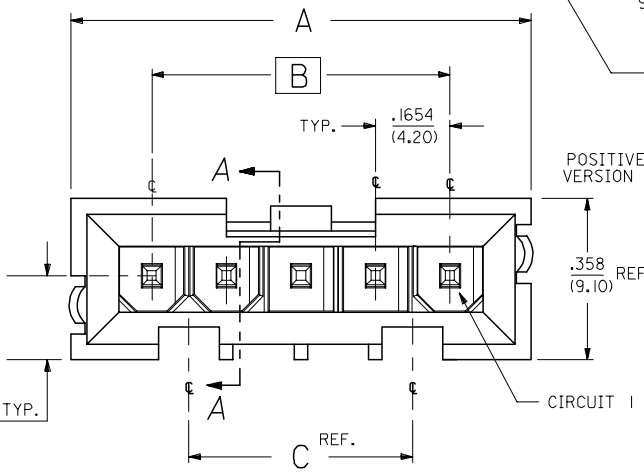
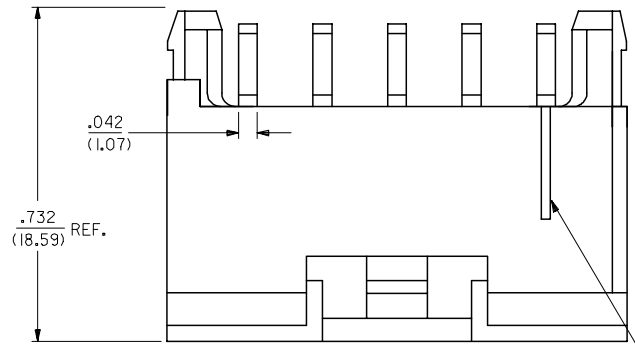
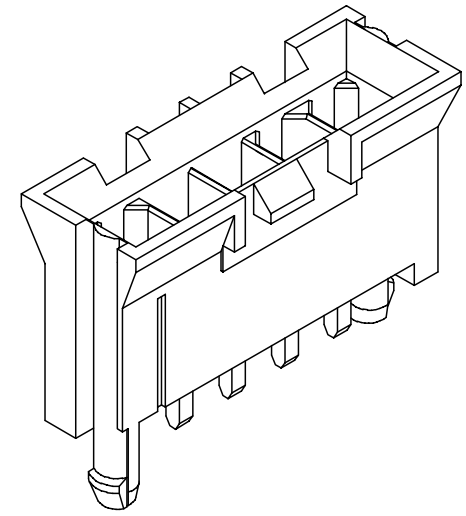


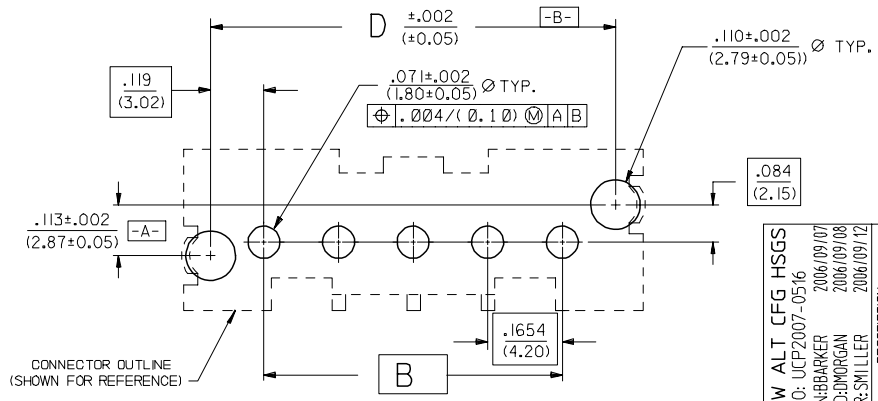
NOTES:

- ASSEMBLY NO. 71233-0007 SHOWN FOR ILLUSTRATION.
- MATES WITH PART NO. 71694-****, AND 5557-**.
- SEE FOLLOWING PAGES FOR PART NOS. & CONFIGURATIONS.
- FINISHES (SEE CHART):
 TIN OVERALL - .000150/(0.0038) MINIMUM TIN OVERALL, NICKEL UNDERPLATE OVERALL.
 30 GOLD - .000030/(0.00076) MINIMUM SELECT GOLD AND .000100/(0.00254) MINIMUM SELECT TIN OVER NICKEL UNDERPLATE OVERALL.
 15 GOLD - .000015/(0.00038) MINIMUM SELECT GOLD AND .000150/(0.00381) MINIMUM SELECT TIN OVER NICKEL UNDERPLATE OVERALL.
- ITEM NO'S PRECEDED BY AN *X* IN THE CHARTS ARE NOT AVAILABLE.
- HOUSING MATERIAL: HIGH TEMP. 94V-0 GLASS FILLED POLYESTER MATERIAL COLOR: WHITE
- PIN MATERIAL: BRASS.
- PART CONFORMS TO SPECIFICATION NO. PS-71690-001.
- PACKAGING SPECIFICATIONS:
 FOR TRAY, SEE PK-71232-0000
 FOR TUBE, SEE PK-71233-0000



VERTICAL TAIL HOLE PATTERN

CONNECTOR SIDE SHOWN

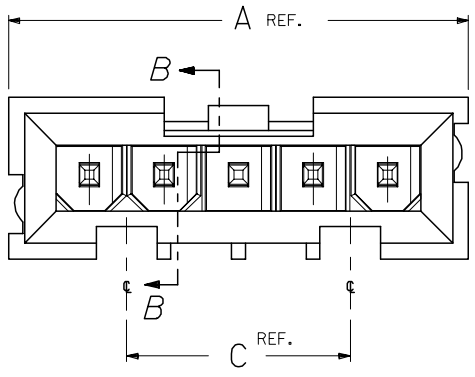


NOTE FOR LEAD FREE CONVERSION:

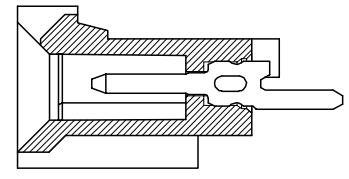
THE PRIMARY SHIPPING CARTON WILL BE LABELED *COMPLIANT TO ROHS DIRECTIVE 2002/95/EC AND ELV ANNEX II OF DIRECTIVE 2000/53/EC*. CARTONS WITHOUT THIS LABEL MAY CONTAIN PRODUCT WITH LEAD.

4	L
3	L
2	M
1	M

SHOW ALT CFG HSGS EC NO: UCP2007-0516 2006/09/07 DRAWN: BARKER CHKD: BORGAN APPR: MILLER 2006/09/08 2006/09/12	QUALITY SYMBOLS ▽=0 ▽=0	GENERAL TOLERANCES (UNLESS SPECIFIED)		DIMENSION STYLE IN/MM		SCALE 5:1	DESIGN UNITS INCH	THIRD ANGLE PROJECTION	
		4 PLACES ± --- ± ---	3 PLACES ± --- ± .010	DRAWN BY RWB	DATE 7/19/93	TITLE SINGLE ROW MINI-FIT HEADER, VERTICAL, THRU-HOLE SALES DWG			
		2 PLACES ± 0.38 ± .015	1 PLACE ± 0.25 ± ---	CHECKED BY PAR	DATE 7/19/93	MATERIAL NO. SDA-71231-****			
		ANGULAR ±1/2°		APPROVED BY FAH	DATE 7/19/93	DOCUMENT NO. SDA-71231-****			
DRAFT WHERE APPLICABLE MUST REMAIN WITHIN DIMENSIONS		SEE TABLES		SHEET NO. 1 OF 4					
THIS DRAWING CONTAINS INFORMATION THAT IS PROPRIETARY TO MOLEX INCORPORATED AND SHOULD NOT BE USED WITHOUT WRITTEN PERMISSION									



SEE SHEET 1 FOR ALL OTHER INFORMATION



SECTION B-B

NO PEG OPTION

VERTICAL CONFIGURATIONS

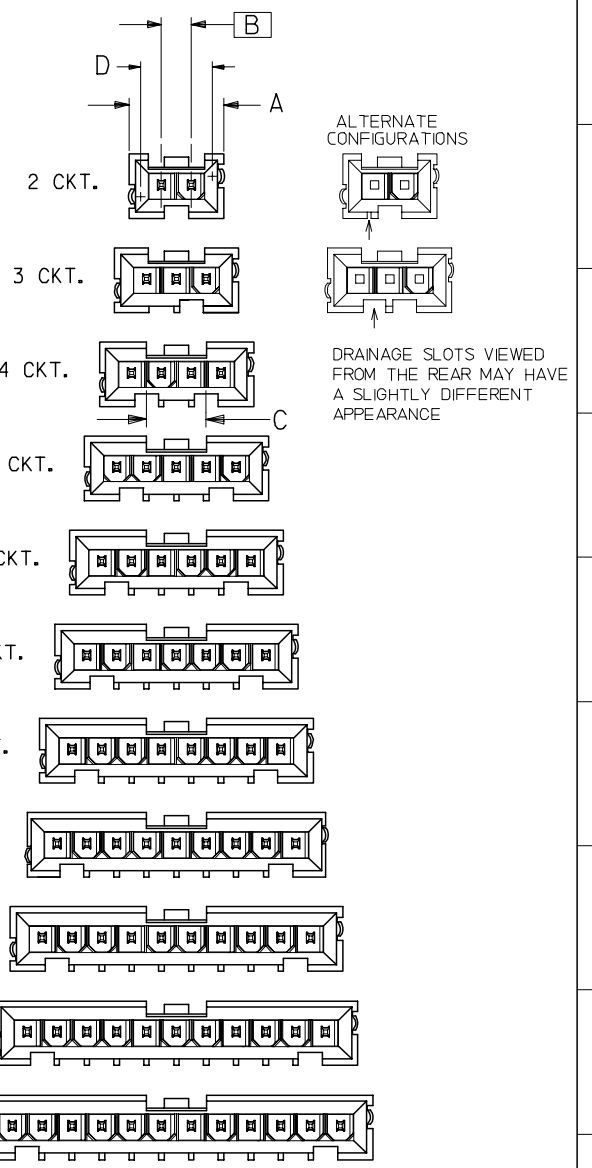
OVERALL DIMENSIONS

ASSEMBLIES WITH PEGS

SIZE	DIM. "A"		DIM. "B" BASIC		DIM. "C" REF.		DIM. "D"	
	INCH	(MM)	INCH	(MM)	INCH	(MM)	INCH	(MM)
2	0.524	(13.31)	0.1654	(4.200)	N/A	N/A	.403	(10.24)
3	0.689	(17.51)	0.3307	(8.400)	N/A	N/A	.569	(14.44)
4	0.855	(21.71)	0.4961	(12.600)	0.330	(8.40)	.734	(18.64)
5	1.020	(25.91)	0.6614	(16.800)	0.496	(12.60)	.899	(22.84)
6	1.185	(30.11)	0.8268	(21.000)	0.661	(16.80)	1.064	(27.04)
7	1.351	(34.31)	0.9921	(25.200)	0.826	(21.00)	1.230	(31.24)
8	1.516	(38.51)	1.1575	(29.400)	0.992	(25.20)	1.395	(35.44)
9	1.682	(42.71)	1.3228	(33.600)	1.157	(29.40)	1.561	(39.64)
10	1.847	(46.91)	1.4882	(37.800)	1.322	(33.60)	1.726	(43.84)
11	2.012	(51.11)	1.6535	(42.000)	1.488	(37.80)	1.891	(48.04)
12	2.177	(55.31)	1.8189	(46.200)	1.653	(42.00)	2.057	(52.24)

ASSEMBLIES WITHOUT PEGS

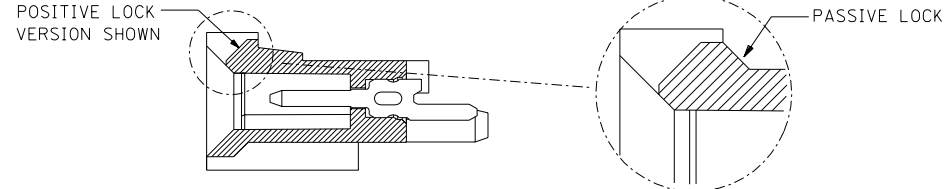
SIZE	DIM. "A"		DIM. "B" BASIC		DIM. "C" REF.	
	INCH	(MM)	INCH	(MM)	INCH	(MM)
2	0.524	(13.31)	0.1654	(4.200)	N/A	N/A
3	0.689	(17.51)	0.3307	(8.400)	N/A	N/A
4	0.855	(21.71)	0.4961	(12.600)	0.330	(8.40)
5	1.020	(25.91)	0.6614	(16.800)	0.496	(12.60)
6	1.185	(30.11)	0.8268	(21.000)	0.661	(16.80)
7	1.351	(34.31)	0.9921	(25.200)	0.826	(21.00)
8	1.516	(38.51)	1.1575	(29.400)	0.992	(25.20)
9	1.682	(42.71)	1.3228	(33.600)	1.157	(29.40)
10	1.847	(46.91)	1.4882	(37.800)	1.322	(33.60)
11	2.012	(51.11)	1.6535	(42.000)	1.488	(37.80)
12	2.177	(55.31)	1.8189	(46.200)	1.653	(42.00)



ADD ALT CONFIGS EC NO: UCP2007-0516 DRAWN: BARKER 2006/09/07 CHKD: BORGAN 2006/09/08 APPR: MILLER 2006/09/12 M	QUALITY SYMBOLS ▽=0 ▽=0	GENERAL TOLERANCES (UNLESS SPECIFIED) mm INCH 4 PLACES ±.000 ±.000 3 PLACES ±.005 ±.010 2 PLACES ±.010 ±.015 1 PLACE ±.020 ±.025 ANGULAR ±1/2°		DIMENSION STYLE IN/MM	SCALE 5:1	DESIGN UNITS INCH	THIRD ANGLE PROJECTION		
		DRAWN BY RWB	DATE 7/19/93	CHECKED BY PAR	DATE 7/19/93	APPROVED BY FAH	DATE 7/19/93	SINGLE ROW MINI-FIT HEADER ASSEMBLY VERTICAL, THRU HOLE	
		MATERIAL NO. SEE TABLES		DOCUMENT NO. SDA-71231-***		SHEET NO. 2 OF 4		MOLEX INCORPORATED	
		DRAFT WHERE APPLICABLE MUST REMAIN WITHIN DIMENSIONS							

CKT SIZE	ASSEMBLY NUMBER	TAIL VERSION	PEGS	LOCK	PACKAGING PER	PLATING SEE NOTE 4
2	71231-0001	STD..I25	YES	POSITIVE	PK-71232-0000	TIN OVERALL
3	71231-0003	STD..I25	YES	POSITIVE	PK-71232-0000	
4	71231-0005	STD..I25	YES	POSITIVE	PK-71232-0000	
5	71231-0007	STD..I25	YES	POSITIVE	PK-71232-0000	
6	71231-0009	STD..I25	YES	POSITIVE	PK-71232-0000	
7	71231-0011	STD..I25	YES	POSITIVE	PK-71232-0000	
8	71231-0013	STD..I25	YES	POSITIVE	PK-71232-0000	
9	71231-0015	STD..I25	YES	POSITIVE	PK-71232-0000	
10	71231-0017	STD..I25	YES	POSITIVE	PK-71232-0000	
11	71231-0019	STD..I25	YES	POSITIVE	PK-71232-0000	
12	71231-0021	STD..I25	YES	POSITIVE	PK-71232-0000	
2	71231-0101	STD..I25	YES	POSITIVE	PK-71232-0000	
3	71231-0103	STD..I25	YES	POSITIVE	PK-71232-0000	
4	71231-0105	STD..I25	YES	POSITIVE	PK-71232-0000	
5	71231-0107	STD..I25	YES	POSITIVE	PK-71232-0000	
6	71231-0109	STD..I25	YES	POSITIVE	PK-71232-0000	
7	71231-0111	STD..I25	YES	POSITIVE	PK-71232-0000	
8	71231-0113	STD..I25	YES	POSITIVE	PK-71232-0000	
9	71231-0115	STD..I25	YES	POSITIVE	PK-71232-0000	
10	71231-0117	STD..I25	YES	POSITIVE	PK-71232-0000	
11	71231-0119	STD..I25	YES	POSITIVE	PK-71232-0000	
12	71231-0121	STD..I25	YES	POSITIVE	PK-71232-0000	
2	71231-0201	STD..I25	NO	POSITIVE	PK-71232-0000	TIN OVERALL
3	71231-0203	STD..I25	NO	POSITIVE	PK-71232-0000	
4	71231-0205	STD..I25	NO	POSITIVE	PK-71232-0000	
5	71231-0207	STD..I25	NO	POSITIVE	PK-71232-0000	
6	71231-0209	STD..I25	NO	POSITIVE	PK-71232-0000	
7	71231-0211	STD..I25	NO	POSITIVE	PK-71232-0000	
8	71231-0213	STD..I25	NO	POSITIVE	PK-71232-0000	
9	71231-0215	STD..I25	NO	POSITIVE	PK-71232-0000	
10	71231-0217	STD..I25	NO	POSITIVE	PK-71232-0000	
11	71231-0219	STD..I25	NO	POSITIVE	PK-71232-0000	
12	71231-0221	STD..I25	NO	POSITIVE	PK-71232-0000	
2	71231-0301	STD..I25	NO	POSITIVE	PK-71232-0000	
3	71231-0303	STD..I25	NO	POSITIVE	PK-71232-0000	
4	71231-0305	STD..I25	NO	POSITIVE	PK-71232-0000	
5	71231-0307	STD..I25	NO	POSITIVE	PK-71232-0000	
6	71231-0309	STD..I25	NO	POSITIVE	PK-71232-0000	
7	71231-0311	STD..I25	NO	POSITIVE	PK-71232-0000	
8	71231-0313	STD..I25	NO	POSITIVE	PK-71232-0000	
9	71231-0315	STD..I25	NO	POSITIVE	PK-71232-0000	
10	71231-0317	STD..I25	NO	POSITIVE	PK-71232-0000	
11	71231-0319	STD..I25	NO	POSITIVE	PK-71232-0000	
12	71231-0321	STD..I25	NO	POSITIVE	PK-71232-0000	

CKT SIZE	ASSEMBLY NUMBER	TAIL VERSION	PEGS	LOCK	PACKAGING PER	PLATING SEE NOTE 4
2	71231-0002	STD..I25	YES	PASSIVE	PK-71232-0000	TIN OVERALL
3	71231-0004	STD..I25	YES	PASSIVE	PK-71232-0000	
4	71231-0006	STD..I25	YES	PASSIVE	PK-71232-0000	
5	71231-0008	STD..I25	YES	PASSIVE	PK-71232-0000	
6	71231-0010	STD..I25	YES	PASSIVE	PK-71232-0000	
7	71231-0012	STD..I25	YES	PASSIVE	PK-71232-0000	
8	71231-0014	STD..I25	YES	PASSIVE	PK-71232-0000	
9	71231-0016	STD..I25	YES	PASSIVE	PK-71232-0000	
10	71231-0018	STD..I25	YES	PASSIVE	PK-71232-0000	
11	71231-0020	STD..I25	YES	PASSIVE	PK-71232-0000	
12	71231-0022	STD..I25	YES	PASSIVE	PK-71232-0000	
2	71231-0102	STD..I25	YES	PASSIVE	PK-71232-0000	
3	71231-0104	STD..I25	YES	PASSIVE	PK-71232-0000	
4	71231-0106	STD..I25	YES	PASSIVE	PK-71232-0000	
5	71231-0108	STD..I25	YES	PASSIVE	PK-71232-0000	
6	71231-0110	STD..I25	YES	PASSIVE	PK-71232-0000	
7	71231-0112	STD..I25	YES	PASSIVE	PK-71232-0000	
8	71231-0114	STD..I25	YES	PASSIVE	PK-71232-0000	
9	71231-0116	STD..I25	YES	PASSIVE	PK-71232-0000	
10	71231-0118	STD..I25	YES	PASSIVE	PK-71232-0000	
11	71231-0120	STD..I25	YES	PASSIVE	PK-71232-0000	
12	71231-0122	STD..I25	YES	PASSIVE	PK-71232-0000	
2	71231-0202	STD..I25	NO	PASSIVE	PK-71232-0000	TIN OVERALL
3	71231-0204	STD..I25	NO	PASSIVE	PK-71232-0000	
4	71231-0206	STD..I25	NO	PASSIVE	PK-71232-0000	
5	71231-0208	STD..I25	NO	PASSIVE	PK-71232-0000	
6	71231-0210	STD..I25	NO	PASSIVE	PK-71232-0000	
7	71231-0212	STD..I25	NO	PASSIVE	PK-71232-0000	
8	71231-0214	STD..I25	NO	PASSIVE	PK-71232-0000	
9	71231-0216	STD..I25	NO	PASSIVE	PK-71232-0000	
10	71231-0218	STD..I25	NO	PASSIVE	PK-71232-0000	
11	71231-0220	STD..I25	NO	PASSIVE	PK-71232-0000	
12	71231-0222	STD..I25	NO	PASSIVE	PK-71232-0000	
2	71231-0302	STD..I25	NO	PASSIVE	PK-71232-0000	
3	71231-0304	STD..I25	NO	PASSIVE	PK-71232-0000	
4	71231-0306	STD..I25	NO	PASSIVE	PK-71232-0000	
5	71231-0308	STD..I25	NO	PASSIVE	PK-71232-0000	
6	71231-0310	STD..I25	NO	PASSIVE	PK-71232-0000	
7	71231-0312	STD..I25	NO	PASSIVE	PK-71232-0000	
8	71231-0314	STD..I25	NO	PASSIVE	PK-71232-0000	
9	71231-0316	STD..I25	NO	PASSIVE	PK-71232-0000	
10	71231-0318	STD..I25	NO	PASSIVE	PK-71232-0000	
11	71231-0320	STD..I25	NO	PASSIVE	PK-71232-0000	
12	71231-0322	STD..I25	NO	PASSIVE	PK-71232-0000	



L	SEE SHEET I	C	SEE SHEET I	DRWG. BY: RWB	CHK'D. BY: PAR	SCALE: 1:1	DIMENSIONS SHOWN (METRIC) INCH UNLESS OTHERWISE SPECIFIED TOLERANCES: ANGULAR ± 1/2° 3 PLACE ± --- --- 2 PLACE ± --- ± --- 1 PLACE --- ± --- DRAFT WHERE APPLICABLE MUST REMAIN WITHIN DIMENSIONS DRWG. NO. SDA-71231-**** FILE NAME 571231P3.DGN THIS DRAWING CONTAINS INFORMATION THAT IS PROPRIETARY TO MOLEX INC. AND SHOULD NOT BE USED WITHOUT WRITTEN PERMISSION.
K	SEE SHEET I	A	SEE SHEET I	APPR. BY: FAH	SCALE: 1:1	TITLE: SINGLE ROW MINI-FIT HEADER VERTICAL THRU-HOLE BLIND MATE SALES ASSEMBLY FROM: MOLEX INCORPORATED LITTLE ROCK, AR 60532 U.S.A. SHEET NO. 3 DATE 08/02/93	
LTR.	REVISIONS	LTR.	REVISIONS				