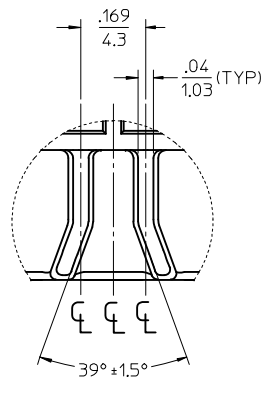
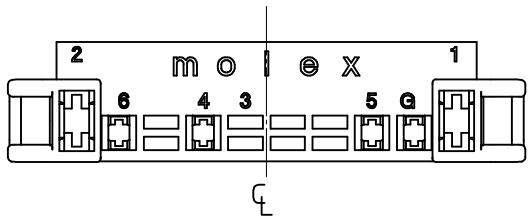


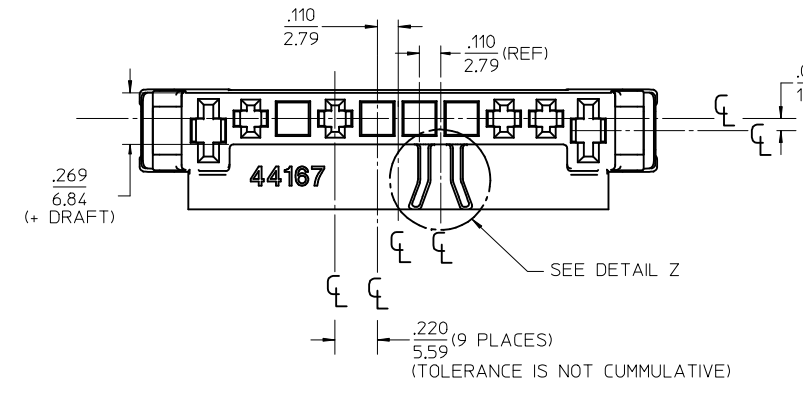
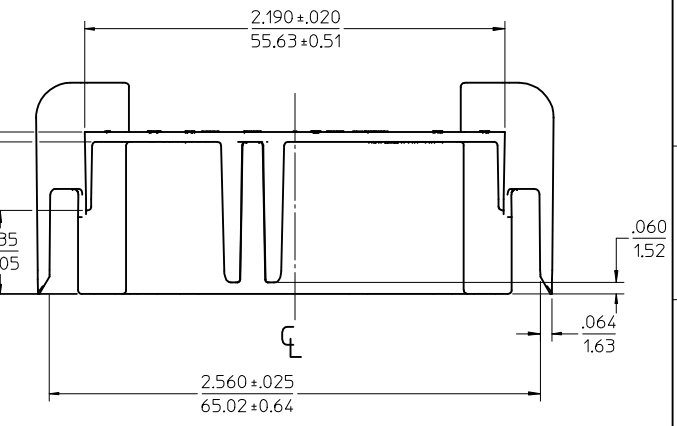
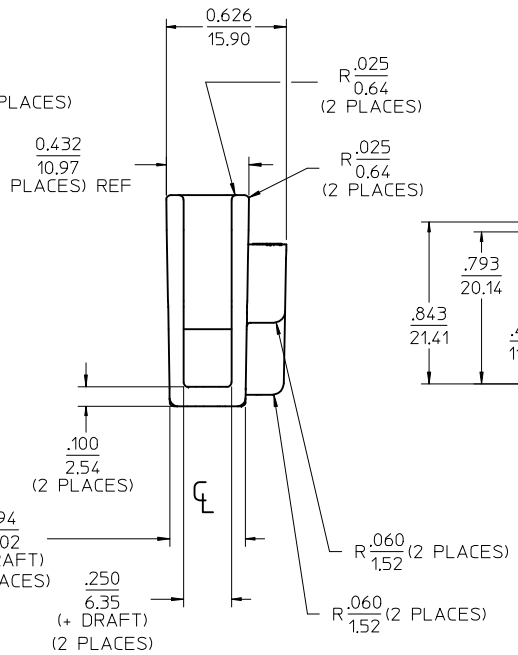
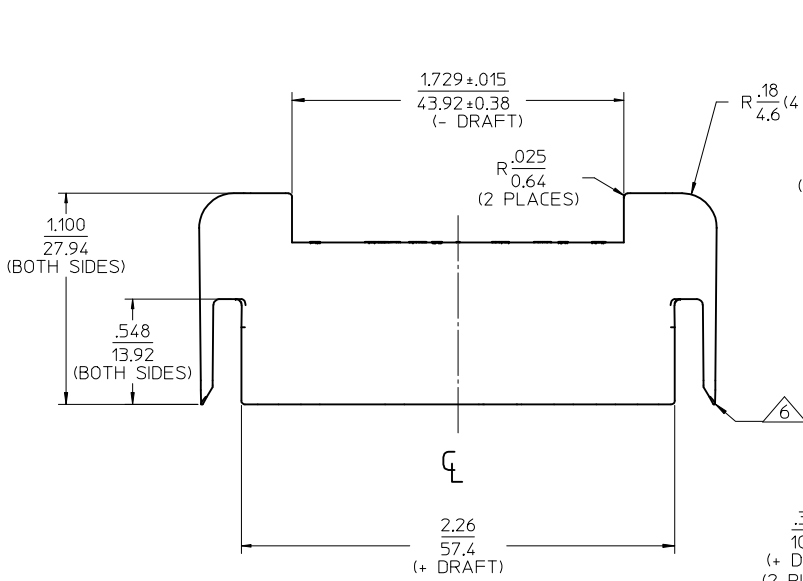
13	12	11	10	9	8	7	6	5	4	3	2	1
ITEM NO.	MATERIAL											
44167-0001	A											
44167-0003	B											



DETAIL Z
SCALE 4:1

NOTES

- MATERIAL:
 - A: NYLON, PA66, UL94V-2, COLOR: NATURAL
 - B: NYLON, PA6, UL94V-2, COLOR: NATURAL (BEIGE)
 - IEC 60335-1 GLOW WIRE CAPABLE
- FINISH: NONE
- PRODUCT SPECIFICATION: PSX-42865-0001, PSX-42865-0002 & PS-43374-001
- PACKAGING SPECS: HOUSINGS ARE PACKED PER PK-42865-001.
- THIS CONNECTOR HOUSING FOR USE WITH TERMINALS:
 - .125/3.18 SPADE: 1508-* & 43374-***1 (4-PL MAX)
 - .250/6.35 SPADE: 41422-3***5** (2-PL MAX)
- THE OUTSIDE EDGES ASSOCIATED WITH THIS SURFACE TO HAVE .02/0.51 RADII.
- PART CONFORMS TO CLASS B REQUIREMENTS OF COSMETIC SPEC PS-45499-002. EXCEPTION: PARTS MOLDED IN MATERIAL B MEET CLASS 'C' REQUIREMENTS FOR FLASH, AND SINK.
- TEXT ON PART IS FOR REFERENCE ONLY. TEXT AND TEXT LOCATION MAY VARY DEPENDING ON PART NUMBER AND/OR TOOL.



ADD 44167-0003	2017/01/20	DESCRIPTION	QUALITY SYMBOLS
EC NO: UCP2017-1474	2017/01/04	DRWINGSLAFTER	▽=0
CHKD:JFOX	2017/01/05	APPR:FSMITH	▽=0
			▽=0

GENERAL TOLERANCES (UNLESS SPECIFIED)	
mm	INCH
4 PLACES ± ---	± ---
3 PLACES ± ---	± 0.010
2 PLACES ± 0.25	± 0.014
1 PLACE ± 0.35	± ---
0 PLACE ±	±
ANGULAR ±1/2°	
DRAFT WHERE APPLICABLE MUST REMAIN WITHIN DIMENSIONS	

DIMENSION STYLE	
IN/MM	
DRAWN BY	DATE
TGREGORI	2003/03/27
CHECKED BY	DATE
BWIRKUS	2003/03/27
APPROVED BY	DATE
BWIRKUS	2003/03/27
MATERIAL NO.	
SEE CHART	
SIZE	C

SCALE	DESIGN UNITS	THIRD ANGLE PROJECTION
1:1	INCH	
TITLE		
HOUSING CONNECTOR 6 CKT.; TOOL REM. LATCH DRYER MOTOR APPLICATION		
molex		
DOCUMENT NO.	SHEET NO.	
SD-44167-001	1 OF 1	
THIS DRAWING CONTAINS INFORMATION THAT IS PROPRIETARY TO MOLEX INCORPORATED AND SHOULD NOT BE USED WITHOUT WRITTEN PERMISSION		