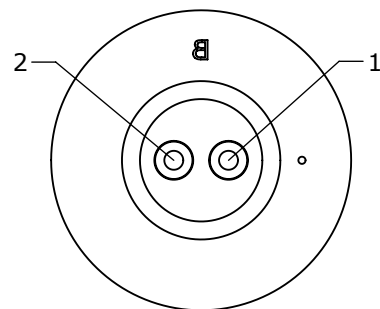


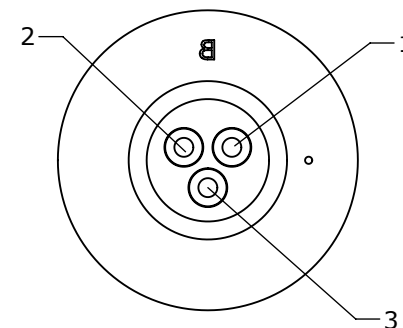
| PART NO. | NO. OF PINS |
|---------------|-------------|
| 17281-2SG-300 | 2 |
| 17281-3SG-300 | 3 |

NOTES:

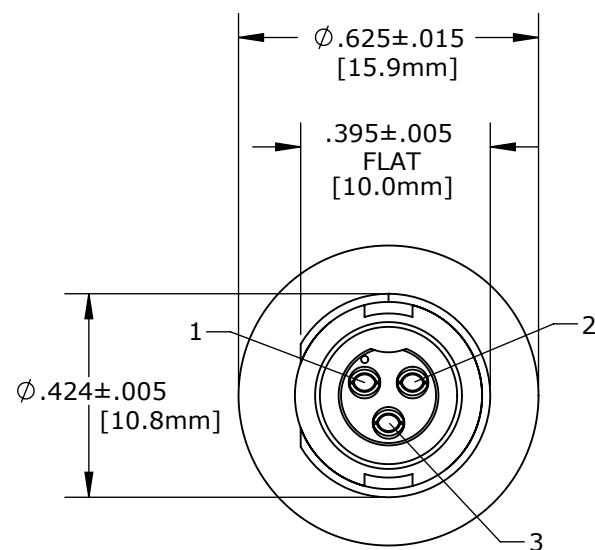
1. ALL PARTS ARE TO BE BULK PACKED.
2. CONTACTS ARE INSERTED INTO PANEL CONNECTOR
3. SEE DRAWING HPMCSTD FOR HOLE PATTERN



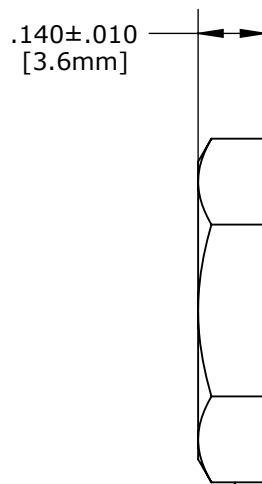
WIRE VIEW
17281-2SG-300



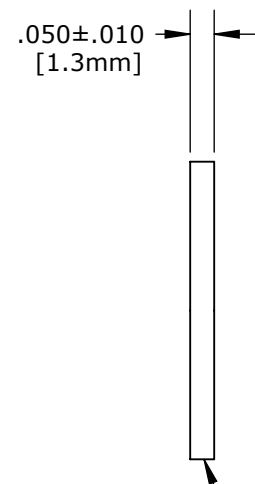
WIRE VIEW
17281-3SG-300



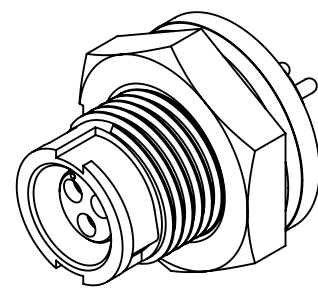
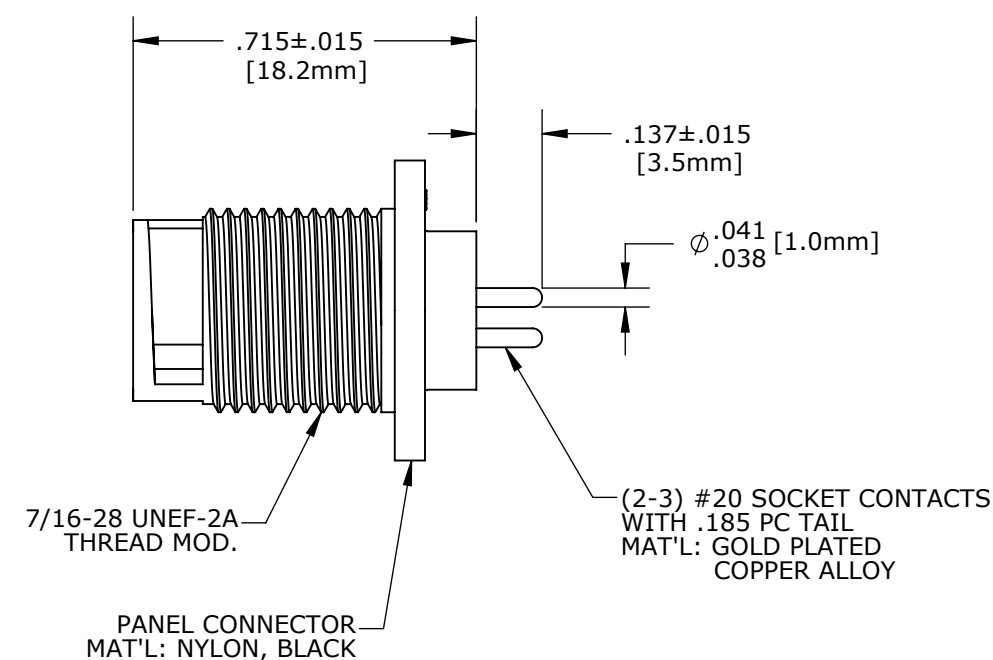
FACE VIEW
17281-3SG-300 SHOWN



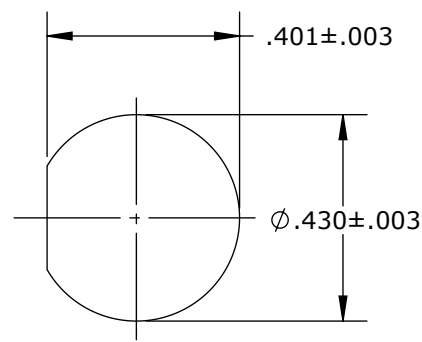
HEX NUT
MAT'L: NYLON, BLACK
5/8 IN. ACROSS FLATS



GASKET
MAT'L: RUBBER, BLACK



SHOWN ASSEMBLED KIT
FOR CUSTOMER REFERENCE ONLY
17281-3SG-300 SHOWN



**RECOMMENDED
PANEL CUT-OUT**

DIMENSIONS IN BRACKET [] ARE METRIC.

CUSTOMER APPROVAL

THIS DOCUMENT CONTAINS CONFIDENTIAL INFORMATION PROPRIETARY TO CONXALL CORPORATION. ANY REPRODUCTION, DISCLOSURE, OR USE OF THIS DOCUMENT /INFORMATION IS EXPRESSLY PROHIBITED UNLESS AUTHORIZED IN WRITING BY CONXALL CORPORATION.

APPROVED BY: _____

DATE: _____

RoHS COMPLIANT

| | | | |
|--|------------|---------------|---|
| A | AN | 02-09-11 | CREATED FAMILY DRAWING PER DOR 11-E149SL SUPERSEDED DWG. 17281-2SG-300 & 17281-3SG-300 |
| REV. | INIT. | DATE | DESCRIPTION |
| | AN | 02-09-11 | ORIG. DRAWN BY: AN DATE: 02-09-11 |
| ALL INFORMATION ILLUSTRATED IS THE PROPERTY OF "CONXALL CORPORATION." UNAUTHORIZED DUPLICATION OR DISTRIBUTION OF THIS DOCUMENT IS PROHIBITED. | | | 601 E. WILDWOOD VILLA PARK, IL 60181 |
| ALL UNITS ARE IN FEET, INCHES, FRACTION OF INCHES AND DECIMALS. | | | |
| APPROVED BY: _____ | | | TITLE: PANEL MOUNT ASSEMBLY (2-3) #20 SOCKET CONTACTS, PC TAIL MICRO-CON-X |
| SCALE | SIZE | SHEET | CUSTOMER: STANDARD PRODUCT |
| NTS | B | 1 OF 1 | |
| FILE: | DIRECTORY: | PART NUMBER: | REV |
| 17281-XSG-300 | SLW | 17281-XSG-300 | A |

CUSTOMER PRINT

PART NUMBER: 17281-XSG-300