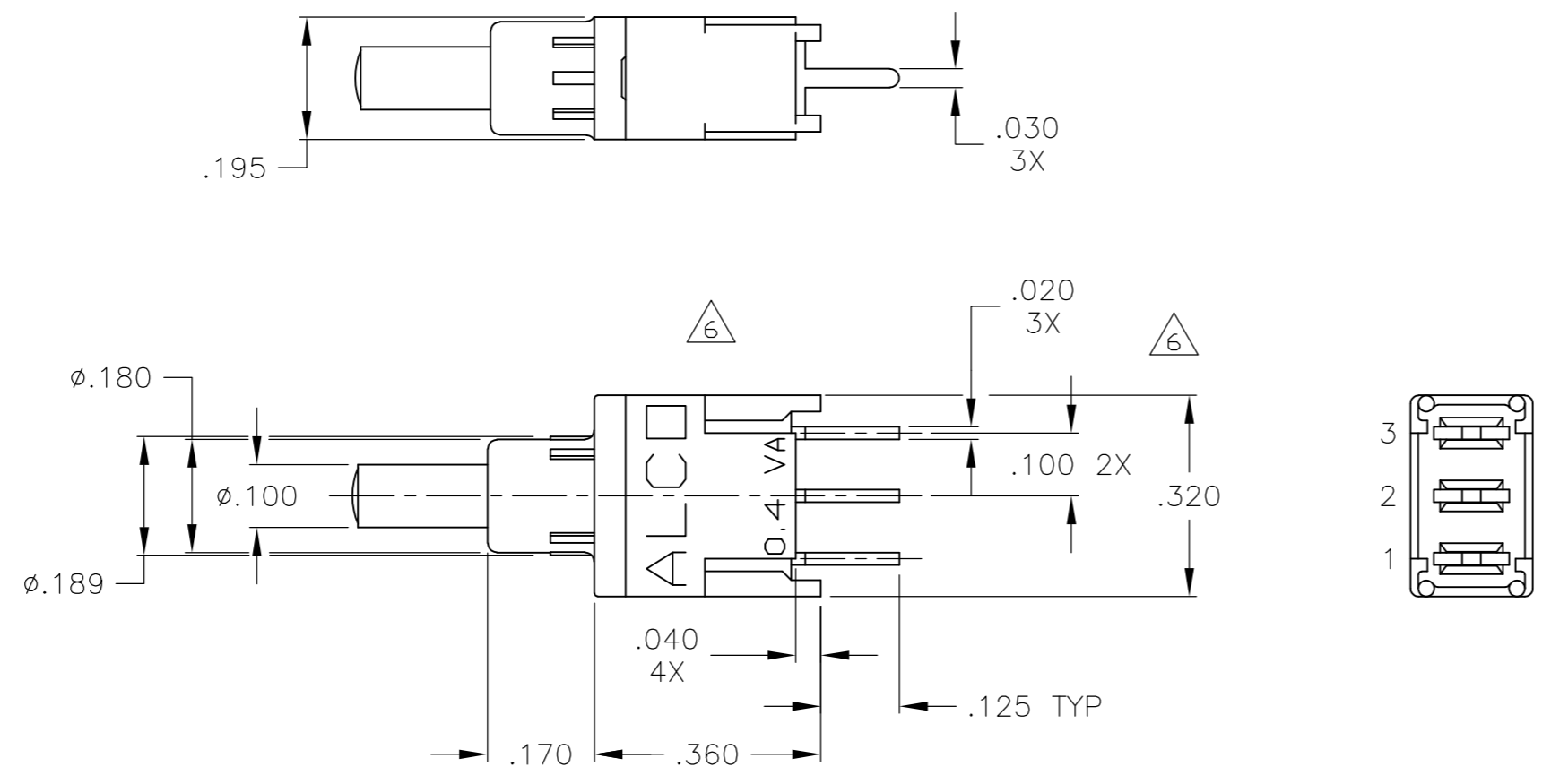


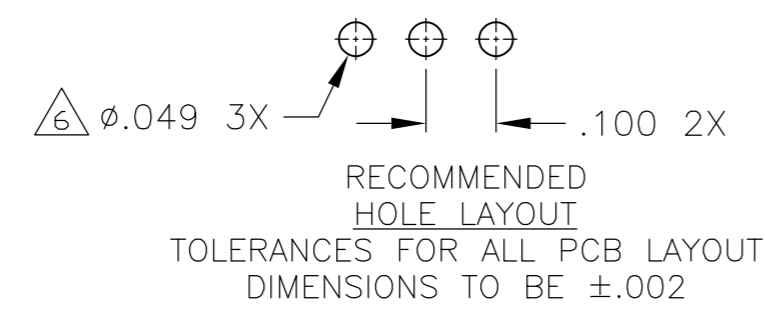
THIS DRAWING IS UNPUBLISHED. RELEASED FOR PUBLICATION
 © COPYRIGHT - By - ALL RIGHTS RESERVED.

LOC		DIST		REVISIONS			
P	LTR	DESCRIPTION	DATE	DWN	APVD		
	H	REVISED PER ECO-15-004048	17MAR2015	NK	RH		

CONVERSION CHART		CONVERSION CHART	
INCH	MM	INCH	MM
.002	0,05	.374	9,49
.005	0,12	.396	10,06
.008	0,20	.400	10,16
.010	0,25	.524	13,31
.014	0,36		
.018	0,44		
.020	0,52		
.028	0,71		
.030	0,76		
.035	0,89		
.040	1,02		
.043	1,09		
.045	1,14		
.060	1,52		
.065	1,65		
.076	1,94		
.082	2,08		
.090	2,29		
.094	2,39		
.100	2,54		
.110	2,80		
.120	3,05		
.125	3,18		
.126	3,19		
.130	3,30		
.155	3,94		
.156	3,96		
.160	4,06		
.162	4,11		
.170	4,32		
.180	4,57		
.189	4,80		
.195	4,95		
.200	5,08		
.230	5,84		
.240	6,10		
.300	7,62		
.320	8,13		
.360	9,14		
.362	9,19		
.370	9,40		



PC PC MOUNT



SPECIFICATIONS:

MATERIALS:

CASE: HIGH TEMPERATURE POLYESTER.
 ACTUATOR: POLYAMIDE.
 MOVING CONTACT: COPPER ALLOY, GOLD PLATE OVER NICKEL.
 FIXED CONTACT: COPPER ALLOY, GOLD PLATE OVER NICKEL.
 TERMINALS: COPPER ALLOY, TIN-LEAD PLATE.

ELECTRICAL:

CONTACT RATING: 0.4VA @ 20 VAC/DC
 INITIAL CONTACT RESISTANCE: 20 MILLIOHMS MAX.
 INSULATION RESISTANCE: 1000 MEGOHMS @ 500V DC MIN.
 DIELECTRIC STRENGTH: **C** 1000 VOLTS RMS AT SEA LEVEL.
F 500 VOLTS RMS AT SEA LEVEL.
 LIFE EXPECTANCY: **C** 80,000 CYCLES
F 60,000 CYCLES.

MECHANICAL:

ACTUATION TRAVEL: .035.

ENVIRONMENTAL:

OPERATING TEMPERATURE: -22°F TO +185°F
 (-30°C TO +85°C).
 STORAGE TEMPERATURE: -67°F TO +185°F
 (-55°C TO +85°C)

NOTES:

1. INTERPRET DRAWING PER ASME Y14.5M-1994.

PART NUMBERING SEQUENCE

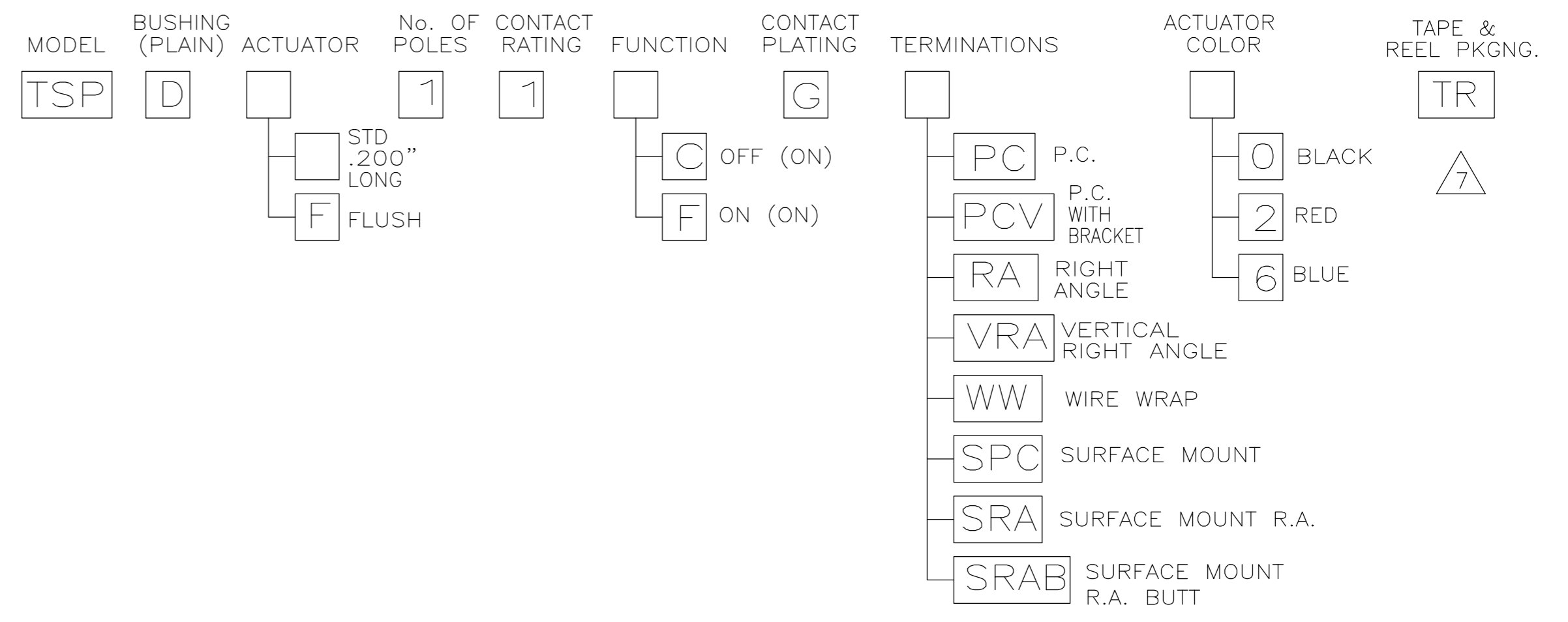


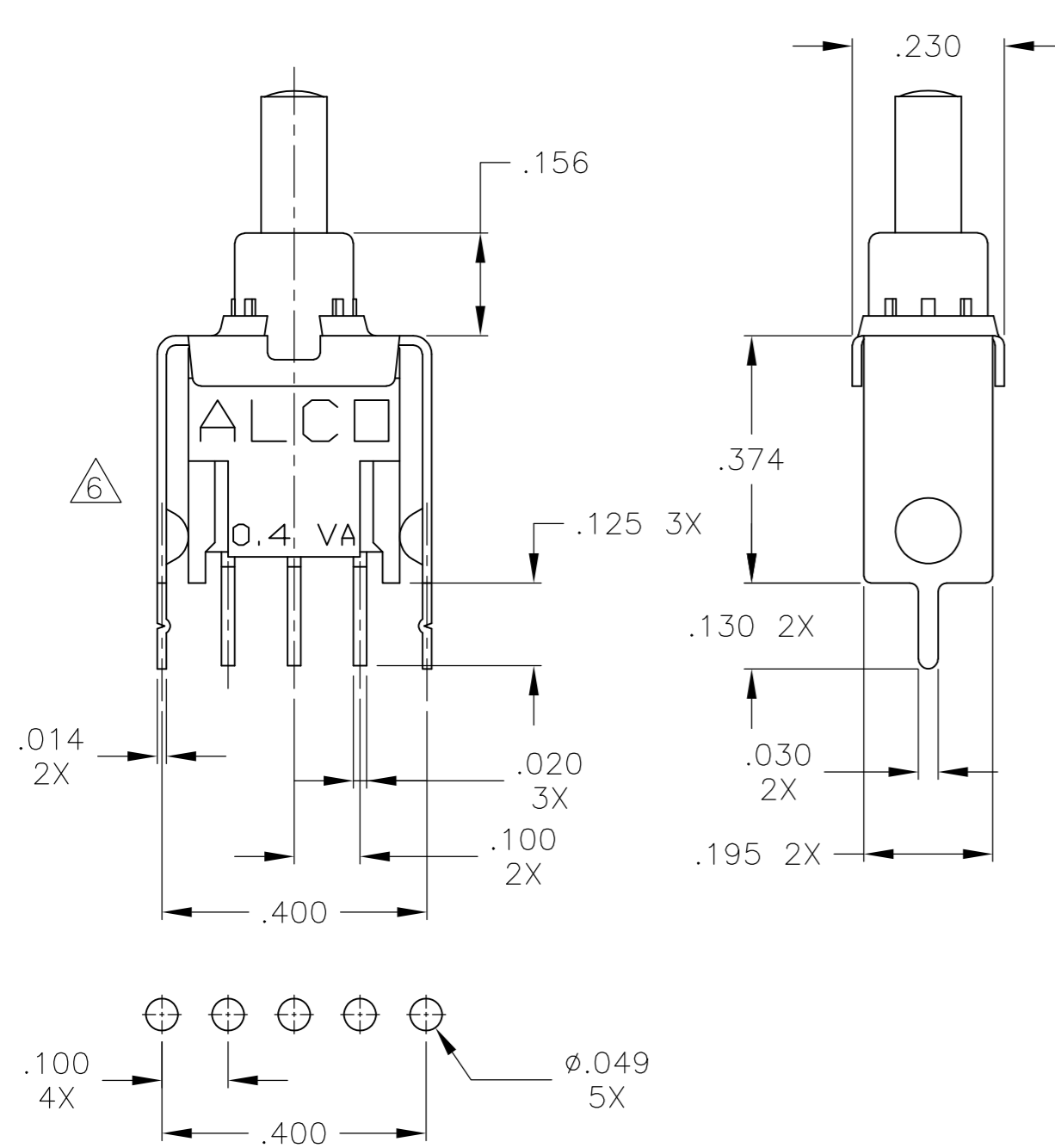
FIGURE 1

FUNCTION CHART	
THE FOLLOWING FUNCTIONS AVAILABLE IN SINGLE POLE.	
C 2 POSITIONS OFF (ON)	
OMIT CENTER TERMINAL FOR FUNCTION C	
F 2 POSITIONS ON (ON)	
OFF INDICATES A MECHANICAL POSITION WITH NO ELECTRICAL CONNECTION.	
(ON) INDICATES MOMENTARY ACTION	

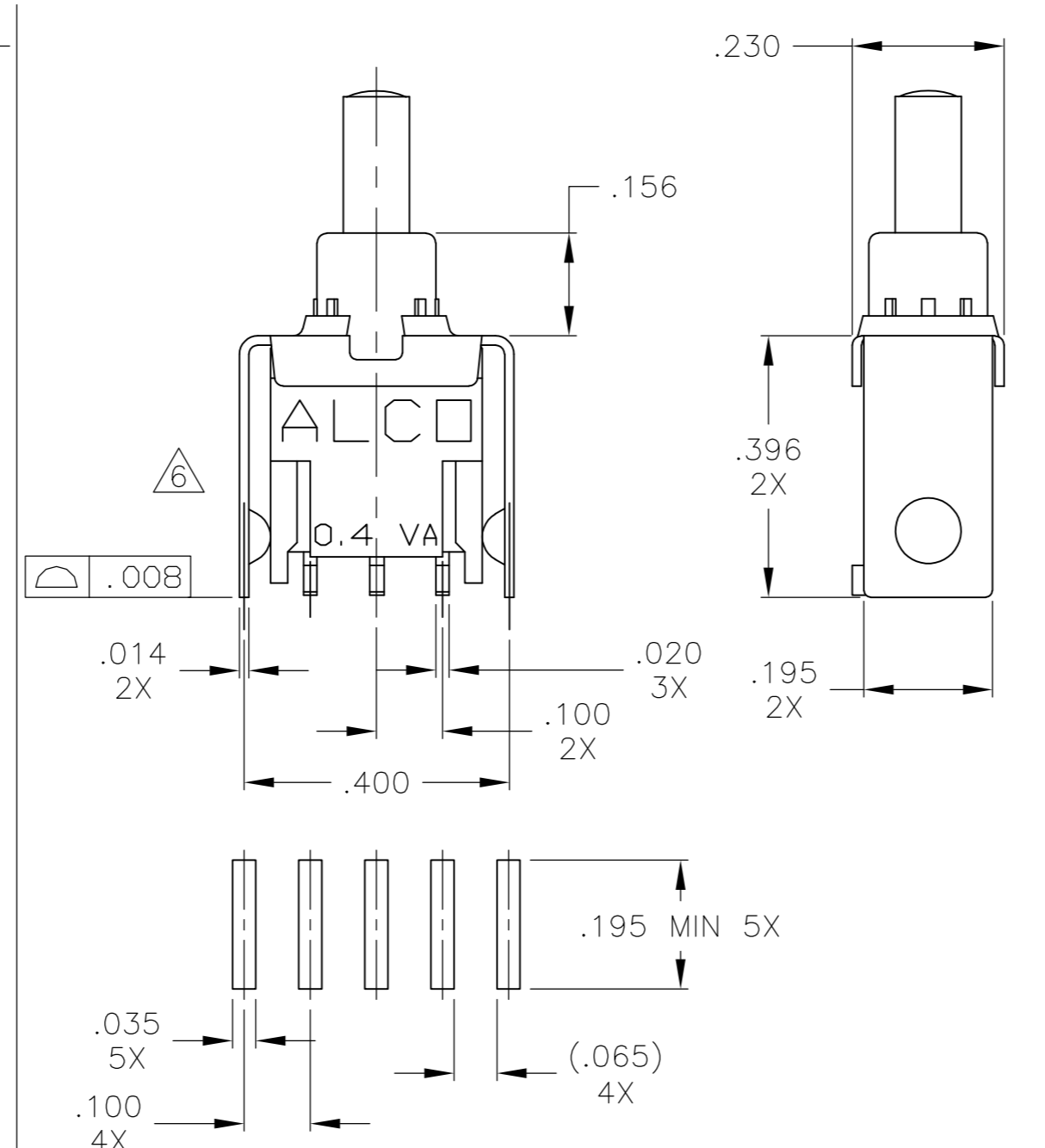
FILE NAME: 40287S1L	DIRECTORY: PSHSWTCH	CODE IDENT. NO. 91506	PRODUCT CODE: B53	THIS DRAWING IS A CONTROLLED DOCUMENT.	DWN C.M.M. 9-19-90 CHK B.J.A. 12-20-90 APVD B.J.A. 12-20-90 PRODUCT SPEC APPLICATION SPEC	WEIGHT -	CUSTOMER DRAWING	TE Connectivity	OUTLINE DRAWING SEALED PUSHBUTTON SWITCH SINGLE POLE TSP SERIES	RESTRICTED TO
				DIMENSIONS: INCHES	TOLERANCES UNLESS OTHERWISE SPECIFIED: 0 PLC ± - 1 PLC ± - 2 PLC ± - 3 PLC ± .010 4 PLC ± - ANGLES ± 1°	SCALE 4:1	SHEET 1 OF 4	SIZE A2	CAGE CODE 00779	DRAWING NO. 1-1437573-1

THIS DRAWING IS UNPUBLISHED. RELEASED FOR PUBLICATION
 © COPYRIGHT - By - ALL RIGHTS RESERVED.

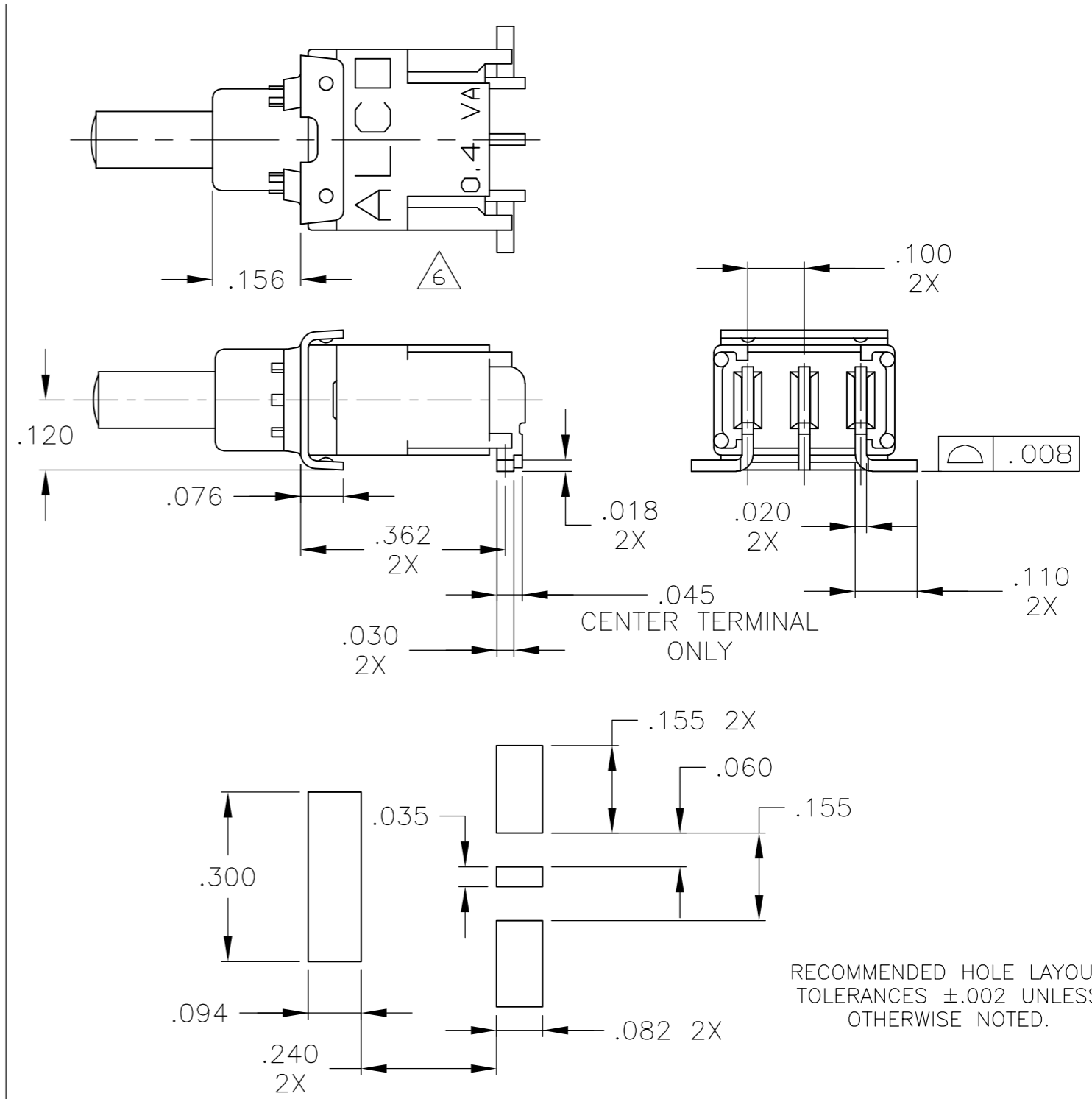
LOC		DIST		REVISIONS			
P	LTR	DESCRIPTION	DATE	DWN	APVD		
-	-	SEE SHEET 1	-	-	-		



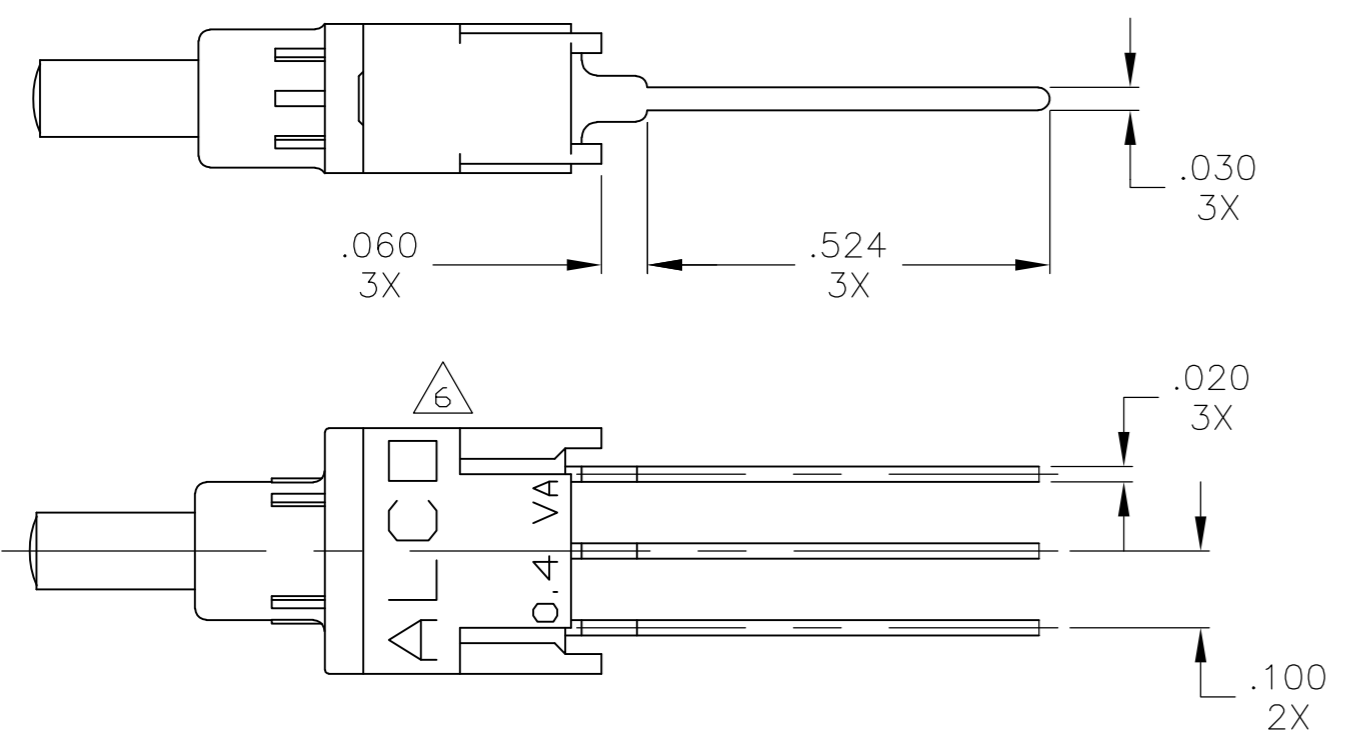
RECOMMENDED HOLE LAYOUT TOLERANCES $\pm.002$ UNLESS OTHERWISE NOTED.
PCV PC WITH VERTICAL SUPPORT BRACKET



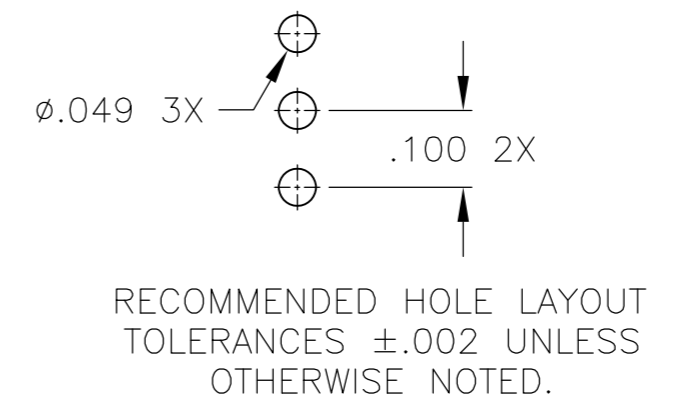
RECOMMENDED HOLE LAYOUT TOLERANCES $\pm.002$ UNLESS OTHERWISE NOTED.
SPC SURFACE MOUNT



RECOMMENDED HOLE LAYOUT TOLERANCES $\pm.002$ UNLESS OTHERWISE NOTED.
SRA SURFACE MOUNT RIGHT ANGLE, "L" BENDA



WW WIRE WRAP

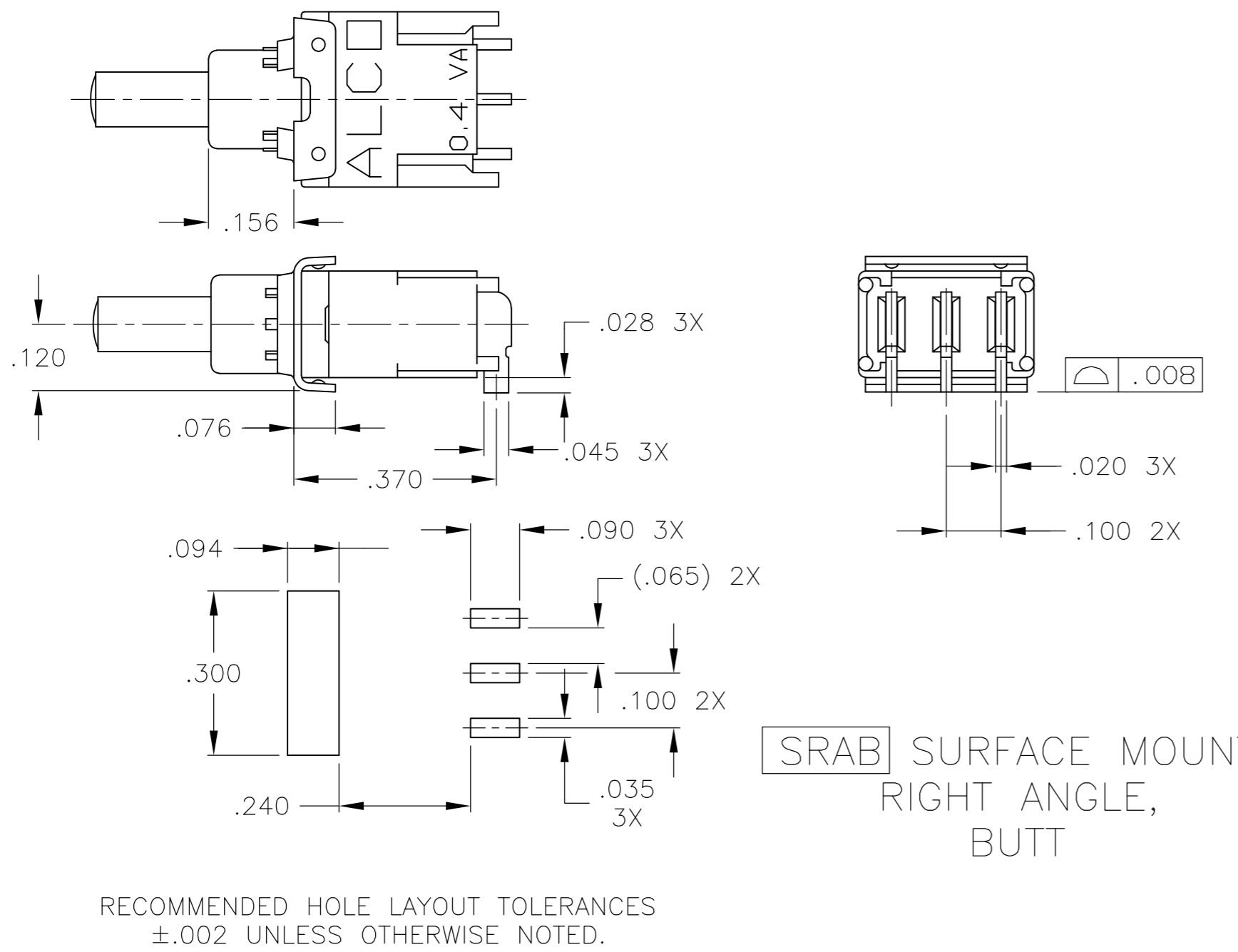
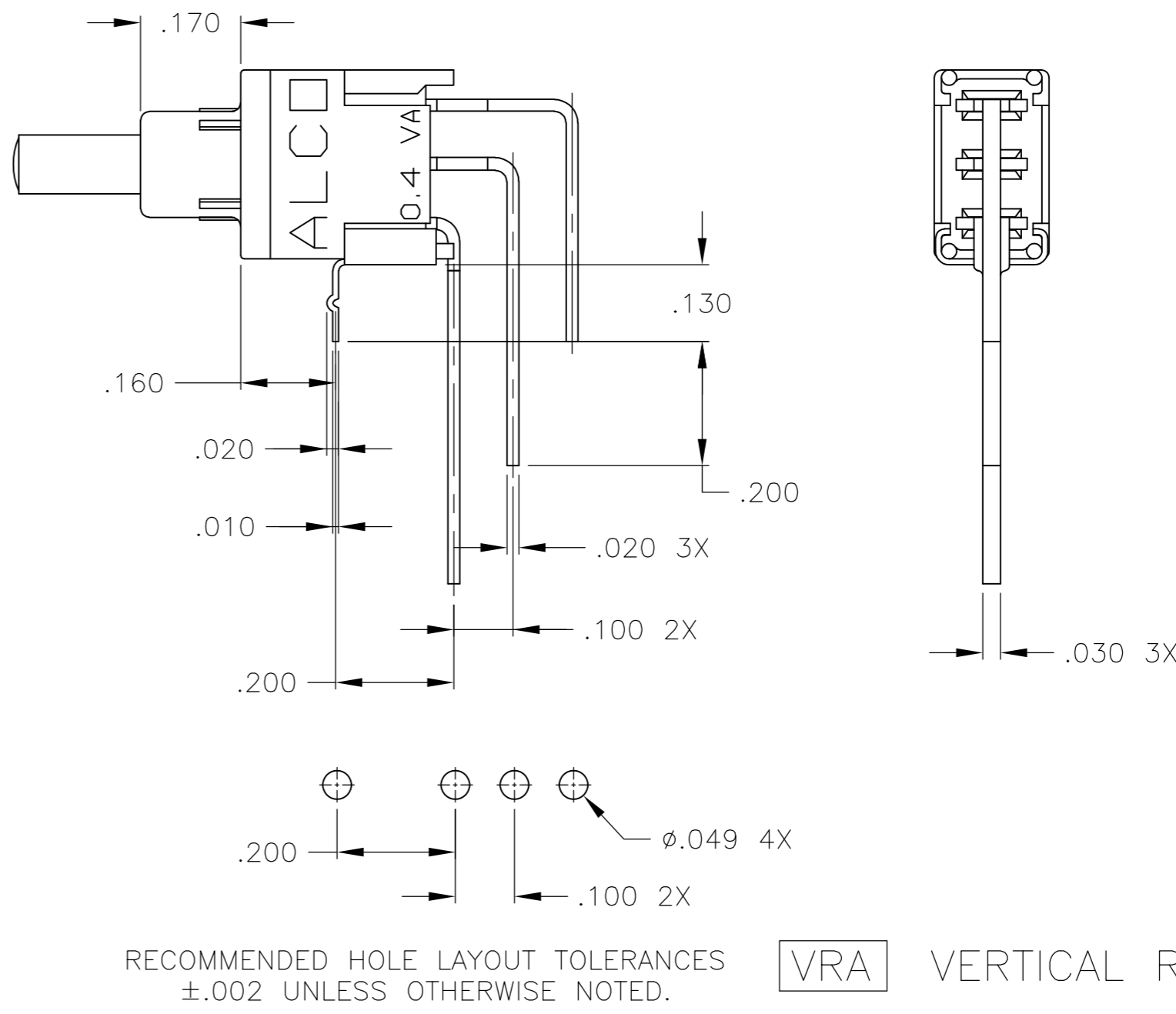
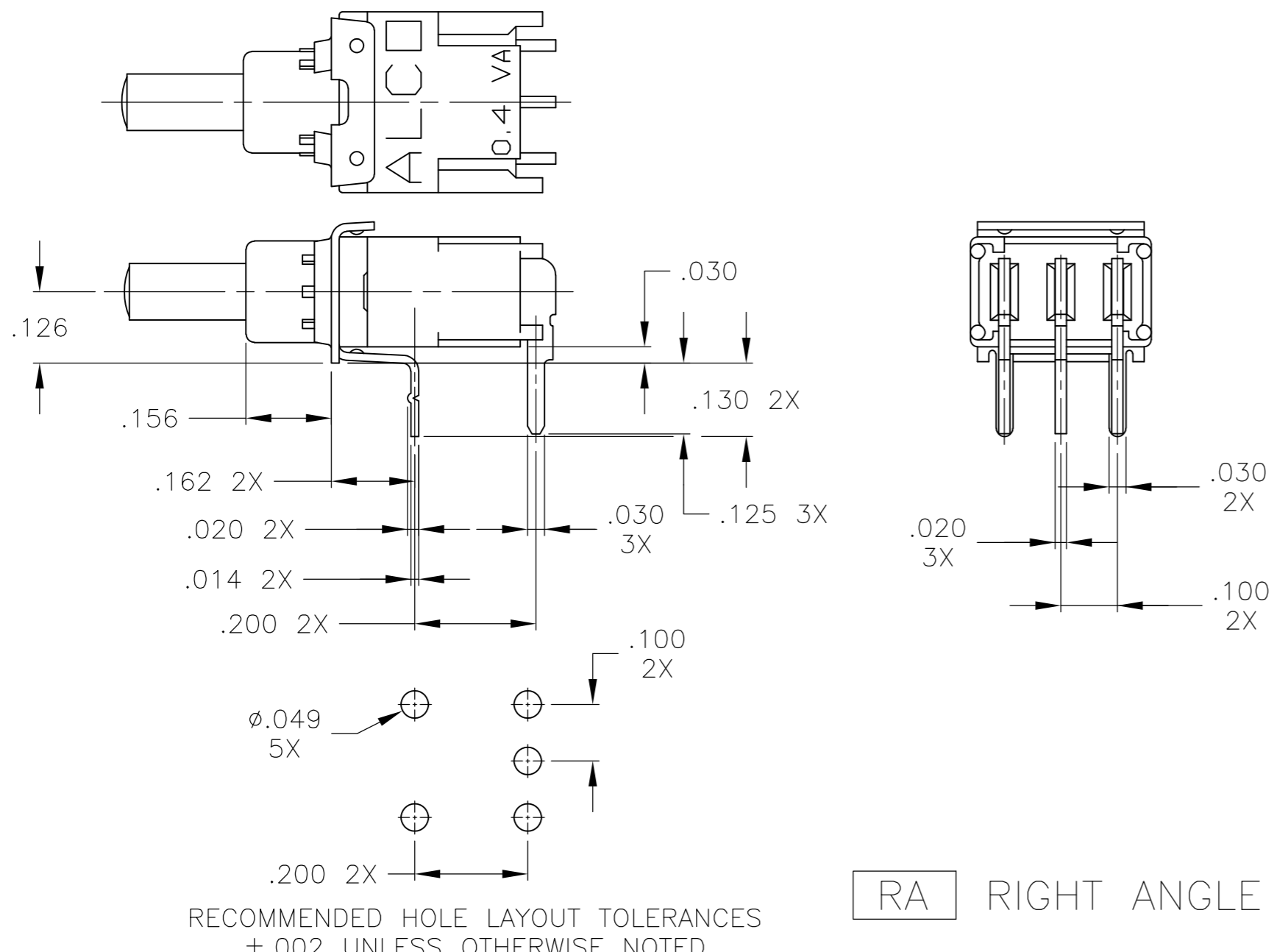


RECOMMENDED HOLE LAYOUT TOLERANCES $\pm.002$ UNLESS OTHERWISE NOTED.

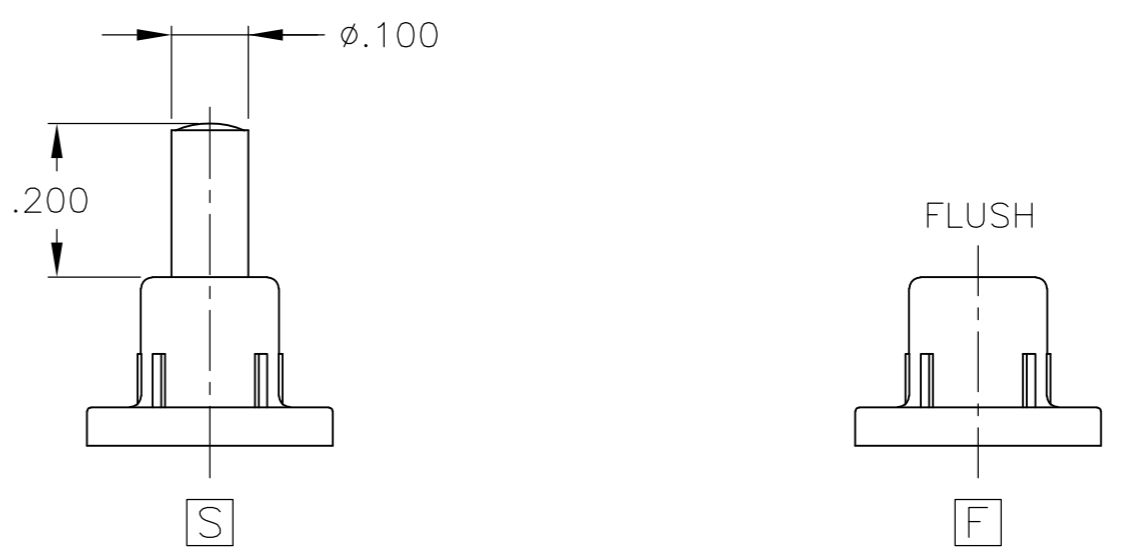
FILE NAME: 40287S1L		DIRECTIONS: INCHES		TOLERANCES UNLESS OTHERWISE SPECIFIED:		DWN: C.M.M. 9-19-90			
DIRECTORY: PSHSWTCH				0 PLC \pm -		CHK: B.J.A. 12-20-90			
CODE IDENT. NO. 91506				MATERIAL: SEE SPECIFICATIONS		1 PLC \pm -		APVD: B.J.A. 12-20-90	
PRODUCT CODE: B53		FINISH: SEE NOTES		2 PLC \pm -		PRODUCT SPEC		CAGE CODE: 00779	
				3 PLC \pm .010		APPLICATION SPEC		DRAWING NO. 1-1437573-1	
				4 PLC \pm -		WEIGHT: -		RESTRICTED TO: -	
				ANGLES \pm 1°		CUSTOMER DRAWING		SCALE: 4:1 SHEET: 2 OF 4 REV: H	

THIS DRAWING IS UNPUBLISHED. RELEASED FOR PUBLICATION
 © COPYRIGHT - By - ALL RIGHTS RESERVED.

LOC		DIST		REVISIONS			
P	LTR	DATE	DWN	APVD	DESCRIPTION		
-	-	-	-	-	SEE SHEET 1		



ACTUATORS




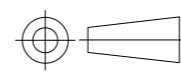
FILE NAME: 40287S1L	DIMENSIONS: INCHES	TOLERANCES UNLESS OTHERWISE SPECIFIED: 0 PLC ± - 1 PLC ± - 2 PLC ± - 3 PLC ± .010 4 PLC ± - ANGLES ± 1° FINISH	DWN C.M.M. 9-19-90 CHK B.J.A. 12-20-90 APVD B.J.A. 12-20-90 PRODUCT SPEC APPLICATION SPEC			NAME OUTLINE DRAWING SEALED PUSHBUTTON SWITCH SINGLE POLE TSP SERIES
DIRECTORY: PSHSWCH		SEE NOTES	WEIGHT -	SIZE A2	CAGE CODE 00779	DRAWING NO 1-1437573-1
CODE IDENT. NO. 91506			PRODUCT CODE: B53	MATERIAL SEE SPECIFICATIONS	SCALE 4:1	SHEET 3 of 4
THIS DRAWING IS A CONTROLLED DOCUMENT.			CUSTOMER DRAWING	RESTRICTED TO		

THIS DRAWING IS UNPUBLISHED. RELEASED FOR PUBLICATION
 © COPYRIGHT - By - ALL RIGHTS RESERVED.

LOC		DIST		REVISIONS			
P	LTR	DESCRIPTION	DATE	DWN	APVD		
-	-	SEE SHEET 1	-	-	-		

	TSPD11CGPC0	1-1437573-1
	TSPD11CGPC2	1-1437573-3
	TSPD11CGPCV0	1-1437573-4
	TSPD11CGRA0	1-1437573-5
	TSPD11CGRA2	1-1437573-7
OBSOLETE	TSPD11CGRA6	4-1437573-2
	TSPD11CGSPC0	1-1437573-8
	TSPD11CGSPC2	4571210-1
	TSPD11CGSRA0TR	1571733-1
	TSPD11CGSRA0	1-1437573-9
	TSPD11CGSRA2	2-1437573-0
OBSOLETE	TSPD11CGSRAB0	2-1437573-1
	TSPD11CGVRA0	2-1437573-2
	TSPD11CGWW0	2-1437573-3
	TSPD11FGPC0	2-1437573-4
	TSPD11FGPCV0	2-1437573-5
	TSPD11FGRA0	2-1437573-6
OBSOLETE	TSPD11FGSPC0	2-1437573-7
	TSPD11FGSRA0	2-1437573-8
	TSPD11FGSRAB0	2-1437573-9
	TSPD11FGVRA0	3-1437573-0
	TSPDF11CGPC0	3-1437573-1
OBSOLETE	TSPDF11CGSRAB0TR	4571460-1
	TSPDF11CGSRA0TR	4571533-1
	TSPDF11CGRA0	3-1437573-2
	TSPDF11CGSRA0	3-1437573-3
	TSPDF11CGVRA0	3-1437573-4
	TSPDF11FGPC0	3-1437573-5
	TSPDF11FGRA0	3-1437573-6
OBSOLETE	TSPDF11FGSRA0	3-1437573-7
PRELIMINARY PART	TSPDF11FGVRA0	1571369-1
	MODEL NUMBER	PART NUMBER

1-1437573-1

FILE NAME: 40287S1L	THIS DRAWING IS A CONTROLLED DOCUMENT.		DWN C.M.M. 9-19-90	 TE Connectivity			
DIRECTORY: PSHSWCH	DIMENSIONS: INCHES	TOLERANCES UNLESS OTHERWISE SPECIFIED:	CHK B.J.A. 12-20-90				
CODE IDENT. NO. 91506		0 PLC ± -	APVD B.J.A. 12-20-90	NAME OUTLINE DRAWING SEALED PUSHBUTTON SWITCH SINGLE POLE TSP SERIES			
PRODUCT CODE: B53		MATERIAL SEE SPECIFICATIONS	1 PLC ± -			PRODUCT SPEC	
		2 PLC ± -	APPLICATION SPEC	SIZE	CAGE CODE	DRAWING NO	RESTRICTED TO
		3 PLC ± .010	WEIGHT	A2	00779	C=1-1437573-1	-
		4 PLC ± -	CUSTOMER DRAWING	SCALE	4:1	SHEET	4 OF 4
		ANGLES ± 1°		REV		H	