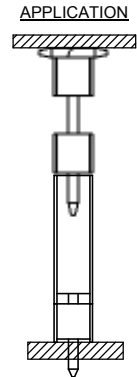
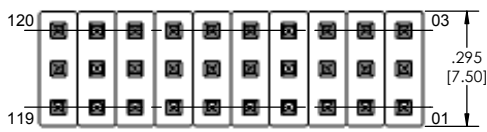
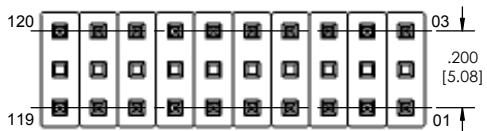
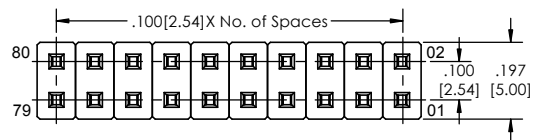
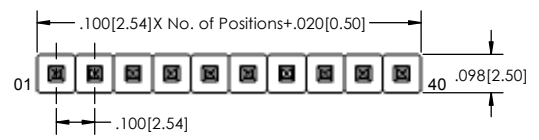
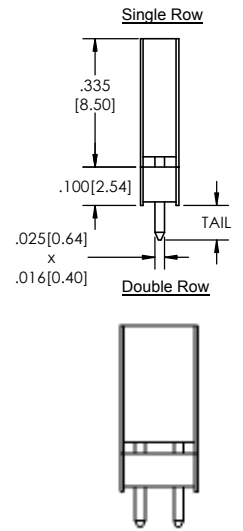
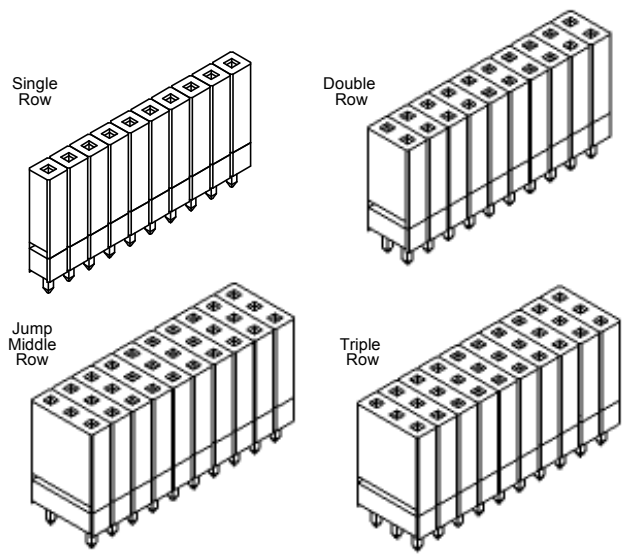
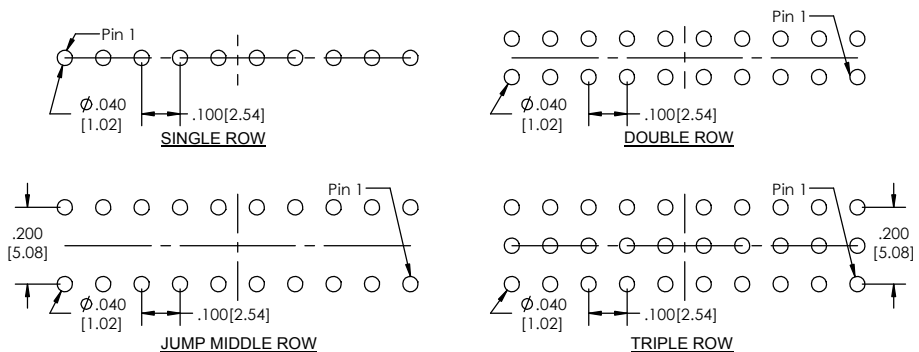


Recommended P.C. Board Layout
SCALE 4:1



BSSH-1 **XX** - **X** - **XX** - **XX** - **XX** - **XXX** - **LF**
(A) (B) (C) (D) (E) (F) (G)

- A. Pins Per Row - 1 through 40
- B. Row Specification - S= Single Row, D= Double Row, J= Jump Middle Row, T= Triple Row
- C. Pin Options - See Pin Options Below
- D. Plating Options - See Plating Options Below
- E. Lock Tight "LT" (Optional) - Leave Blank if not needed, -LT= With
- F. Polarized Position - Leave Blank if not needed, - If Required, Specify Empty Pin Position - e.g. 012 for Pin 12
- G. Lead Free

- Mates With:
- BSTC TSHCR
 - BSTCM TSHCRM
 - BSTCR TSHCRSM
 - BSTCRSM TSHR
 - BSTS TSHRE
 - LBSTCM TSHS
 - LTSHCR TSHSCM
 - LTSHCRE TSHSM
 - LTSHR ULTSHSM
 - LTSHRE ULTSHC
 - LTSHSM ULTSHCR
 - TSHC

Specifications:
Insertion Depth: .145(3.68mm) to .250(6.35mm)
Insertion Force- Per Contact- H Plating
6oz. (1.67N) avg with .025(0.64mm) sq. pin
Withdrawal Force- Per Contact- H Plating:
5oz. (1.39N) avg with .025(0.64mm) sq. pin
Current Rating: 3.0 Ampere
Insulation Resistance: 1000M Ohms Min.
Dielectric Withstanding: 600V AC
Contact Resistance: 20M Ohms Max.
Operation Temperature: -40°C to +105°C
Max. Process Temperature
Peak: 260°C up to 20 secs.
Process: 230°C up to 60 secs.
Wave: 260°C up to 6 secs.
Manual Solder: 350°C up to 5 secs.

Pin Options		
Tail Length	Body Height	
0.090	2.29mm	02
0.290	7.37mm	04
0.490	12.47mm	06
0.190	4.83mm	08
0.390	9.91mm	10
0.090	2.29mm	12
0.290	7.37mm	14
0.190	4.83mm	16

Plating options	
G	-10µ Gold on Contact Area/ Flash on Tail
T	-Matte Tin all Over
GT	-10µ Gold on Contact Area/ Matte Tin on Tail
H	-30µ Gold on Contact Area/ Matte Tin on Tail
F	-Gold Flash over Entire Pin
FT	-Gold Flash on Contact Area/ Matte Tin on Tail

Materials:
Contact Material: Phosphor Bronze
Insulator Material: Nylon 6T
Plating: Au or Sn over 50µ" (1.27) Ni
Tails may be clipped to achieve specific dimensions.

Products out to specific sizes are uncancelable/ nonreturnable.
Parts are subject to change without notice.



PROPRIETARY AND CONFIDENTIAL
THE INFORMATION CONTAINED IN THIS DRAWING IS THE SOLE PROPERTY OF Major League Electronics. ANY REPRODUCTION IN PART OR AS A WHOLE WITHOUT THE WRITTEN PERMISSION OF Major League Electronics IS PROHIBITED.

UNLESS OTHERWISE SPECIFIED:		DRAWN: EOW 01/20/15		NAME: DATE:	
DIMENSIONS ARE IN INCHES		CHECKED: GWE 01/20/15		ADDRESS: 2533 Centennial Blvd. Jeffersonville, IN 47130	
TOLERANCES:		ENG APPR:		Phone: 812-670-4174	
ONE DECIMALS ±.100		MFG APPR:		Fax: 812-670-4175	
TWO DECIMAL ±.010		FINISH:		E-Mail: mle@mlelectronics.com	
THREE DECIMAL ±.005		APPLICATION:		TITLE: BSSH-1 Series	
FOUR DECIMAL ±.002		DO NOT SCALE DRAWING		SIZE DWG. NO. C	
NEXT ASSY USED ON:		INTERPRET GEOMETRIC TOLERANCING PER:		REV B	
MATERIAL:		MATERIAL:		SCALE: 4:1	
MATERIAL:		MATERIAL:		SHEET 1 OF 1	

