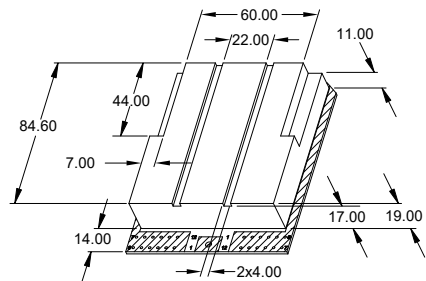
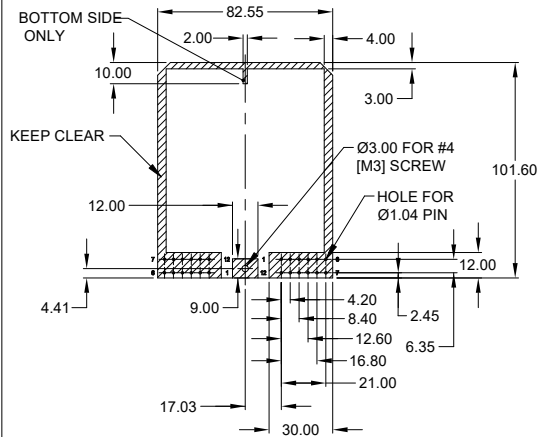
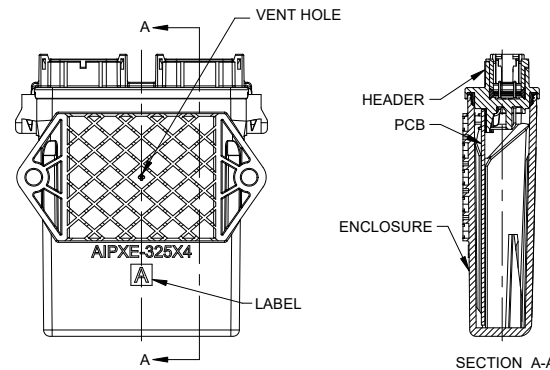
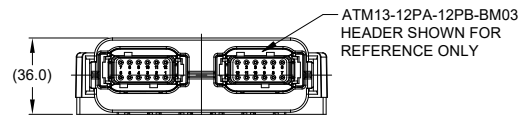
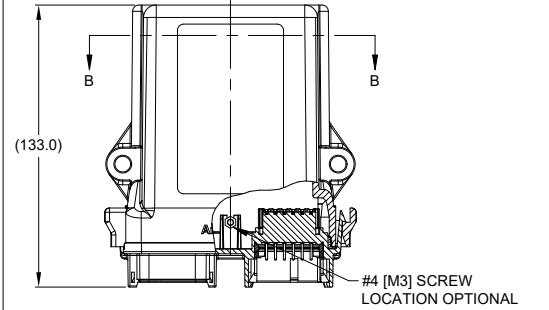
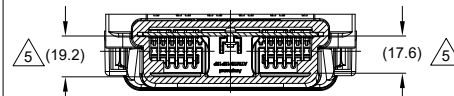


CIRCUIT BOARD HOLE LOCATIONS
AND KEEP CLEAR AREAS FOR
ATM13-12Px-12Px-BM01
ATM13-12Px-12Px-BM03
ALL DIMENSIONS REFERENCE
TOP VIEW

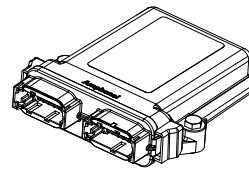


THREE DIMENSIONAL SPACE LIMIT
APPROXIMATE INTERNAL SPACE
FOR COMPONENT SPACE LAYOUT
MAX. COMPONENT HEIGHT UNDER BOARD 2.00 mm.

ASSEMBLED HEADER SHOWN FOR REFERENCE

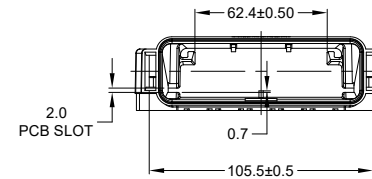
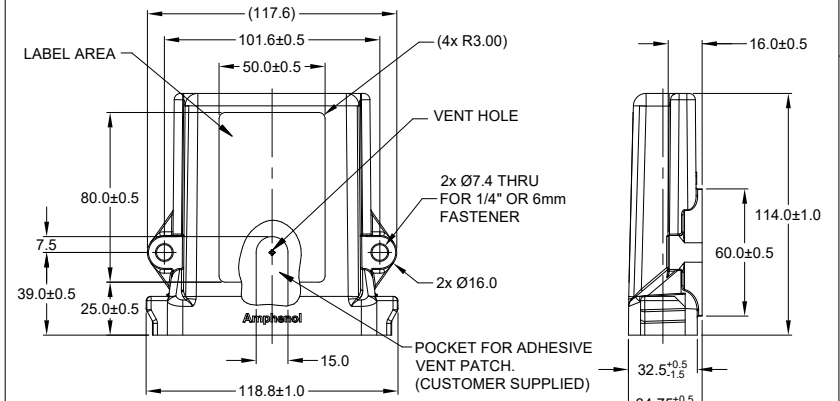


SECTION A-A



3D VIEW
ATM13-12Px-12Px-BM01 AND
ATM13-12Px-12Px-BM03 HEADER AND MOUNTING
HARDWARE SHOWN FOR REFERENCE

REVISIONS					
REV	ECO	DESCRIPTION	DATE	BY	APPR
A1	-	RELEASE NEW DRAWING	08APR19	SULLEN	TOMMY
A2	-	UPDATED DRAWING	10DEC9	SULLEN	TOMMY
A3	-	UPDATED SPACE LIMIT DIMENSION	15JAN20	SULLEN	TOMMY



PART NUMBER CHART

LABEL	VENT HOLE	PART NUMBER
A	WITH VENT HOLES	AIPXE-325X4A-E017
B	WITHOUT VENT HOLES	AIPXE-325X4B-E017

SEE PART NUMBER CHART		DESCRIPTION		ITEM
QUANTITY	PART NUMBER	MATERIALS LIST		
<p>UNLESS OTHERWISE SPECIFIED 1) All dimensions are in metric (mm). 2) Tolerances are as follows: 1 PL DEC ±0.30 2 PL DEC ±0.15 3 PL DEC ±0.08 Fractions ±1/64 Angles ±1°</p>				
SIGNATURES		DATE		
DRAWN: SULEN ZHANG		15 JAN 20		
CHECKED: ORION LI		16 JAN 20		
ENGINEER:				
APPROVAL: TOMMY XIE		17 JAN 20		
CUSTOMER:				
MATERIAL SPECIFICATIONS:		THIS DRAWING IS SUPPLIED FOR INFORMATION ONLY. DESIGN FEATURES, SPECIFICATIONS AND PERFORMANCE DATA SHOWN HEREON ARE THE PROPERTY OF THE AMPHENOL CORPORATION. NO RIGHTS OF REPRODUCTION ARE IMPLIED. ALL DIMENSIONS ARE SUBJECT TO NORMAL MANUFACTURING VARIATIONS.		
PROCESS SPECIFICATIONS:		SCALE: NONE		
NEXT ASSY:		SHEET 1 OF 1		
		<p>SIZE: B C- AIPXE-325X4A-E017 A3</p>		

NOTES: UNLESS OTHERWISE SPECIFIED

- MATERIAL: CLEAR NATURAL POLYCARBONATE
- THIS ENCLOSURE MATES WITH ATM13-12Px-12Px-BM0* & ATM13-12Px-GR01 / R008 HEADER AND AIPXE-325XBP-01. (x= A,B,C,D KEYS, *=ALL MODIFICATIONS)
- RoHS COMPLIANT
- ALL DIMENSIONS ARE FOR REFERENCE USE ONLY.

5. MAXIMUM COMPONENT HEIGHT DEPENDS ON LOCATION DUE TO PART DRAFT AND RIBS.

TITLE: ARMOR IPX PCB ENCLOSURE, CLEAR, SHOWN WITH 24 PIN HEADER

DWG NO:

AIPXE-325X4A-E017

REV: A3

SH: 1

OF: 1

Amphenol

Sine Systems - www.amphenol-sine.com
44724 Morley Drive
Clinton Township, MI 48036

ARMOR IPX PCB ENCLOSURE, CLEAR,
SHOWN WITH 24 PIN HEADER

SIZE: B C- AIPXE-325X4A-E017 A3