



ANATECH ELECTRONICS INC
RF & Microwave Filters & Products

56 MHz LC Band Pass Filter

Part Number: AE56B5784



Electrical Specifications

Center Frequency: 56 MHz
3.0dB Passband: 54.5-57.5 MHz
Insertion Loss: 6.0dB Max.
Return Loss: 14dB Min.
Rejection: ≥ 50 dB @ 50 MHz
Rejection2: ≥ 50 dB @ 62 MHz

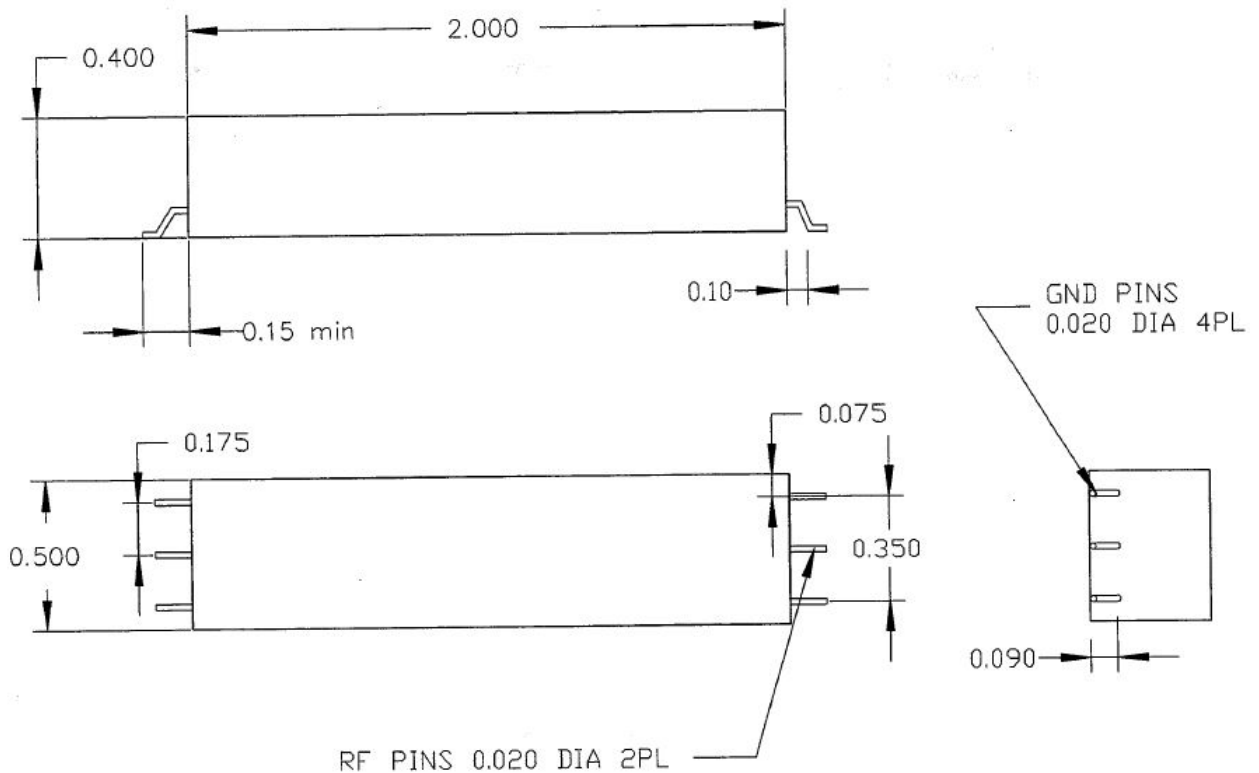
Mechanical

Connector Type: SMT
Dimensions: 2.0" X 0.5" x 0.4" .

Environmental

Operating Temperature: -25°C to +70°C
Storage Temperature: -40°C to +90°C
Shock: 10 G. 11ms
Vibration: 10 G. 5 to 200Hz

Outline Drawing:





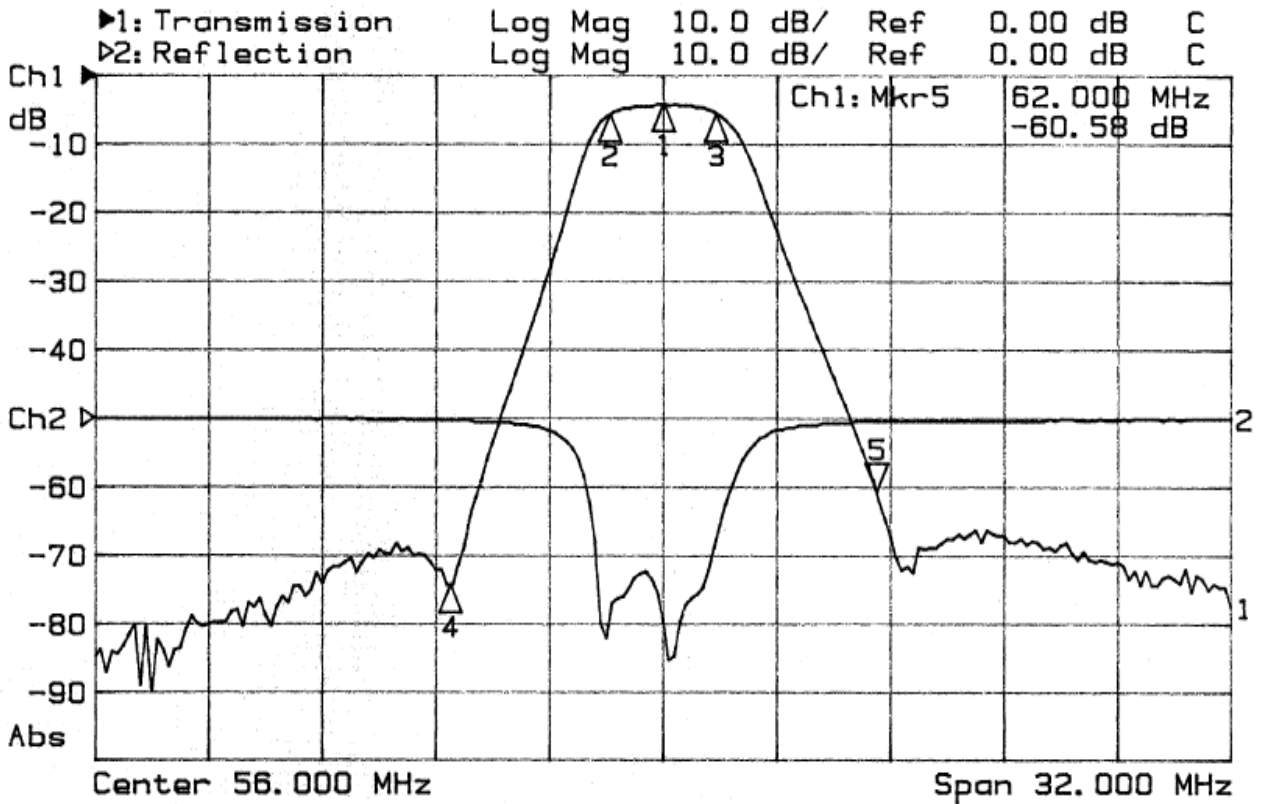
ANATECH ELECTRONICS INC
RF & Microwave Filters & Products

56 MHz LC Band Pass Filter

Part Number: AE56B5784



Response Plot:



1: Mkr (MHz)	dB	2: Mkr (MHz)	dB
1:	56.00	-4.21	
2:	54.50	-5.58	
3:	57.50	-5.59	
4:	50.00	-74.37	
5>	62.00	-60.58	