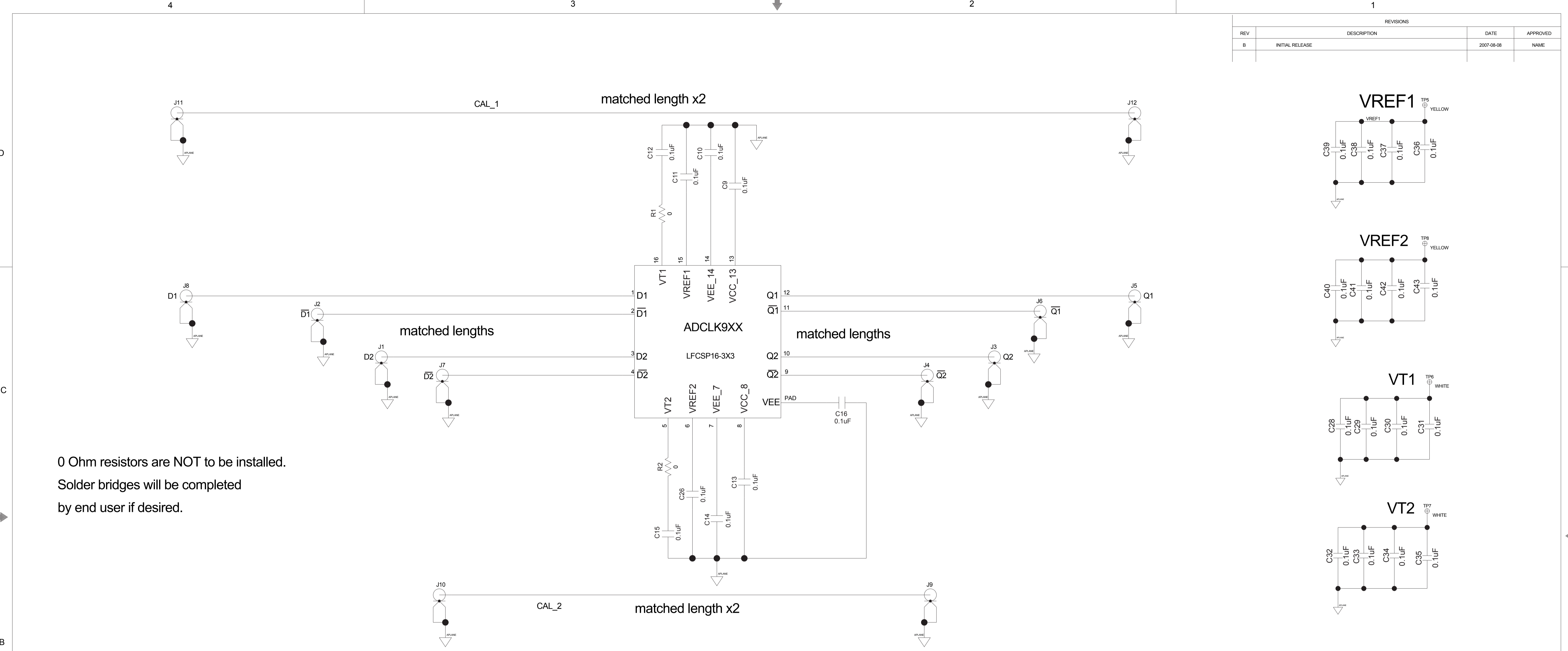
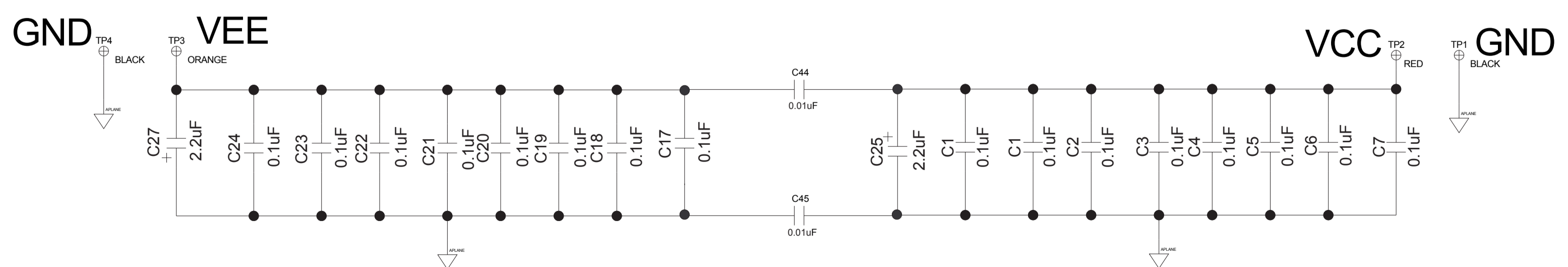
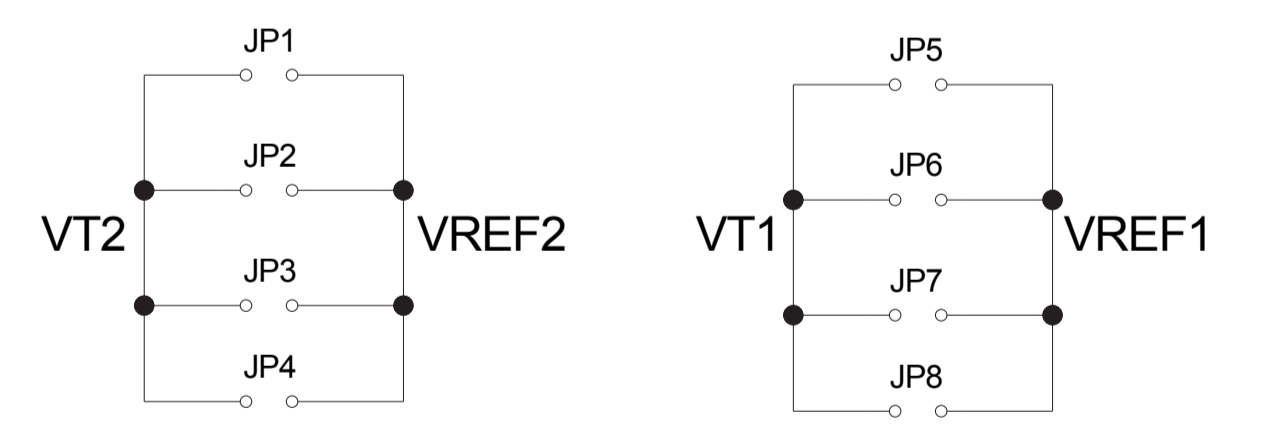
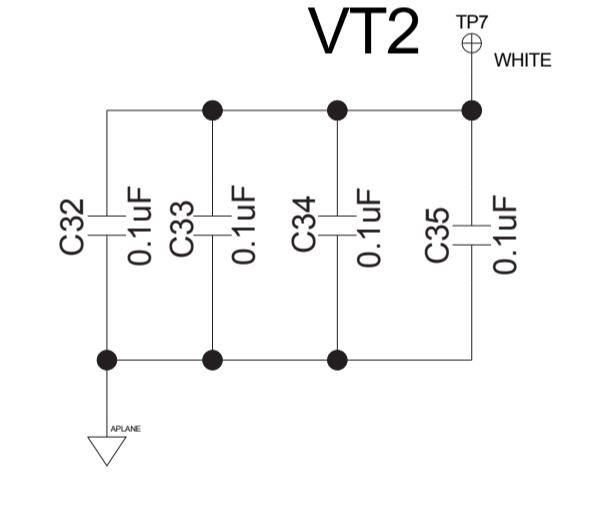
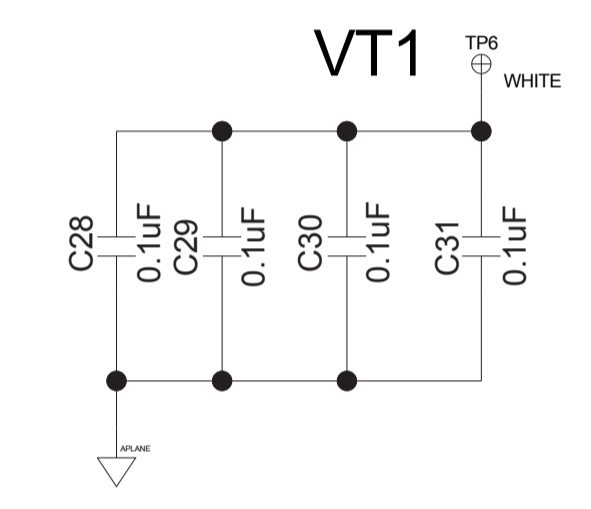
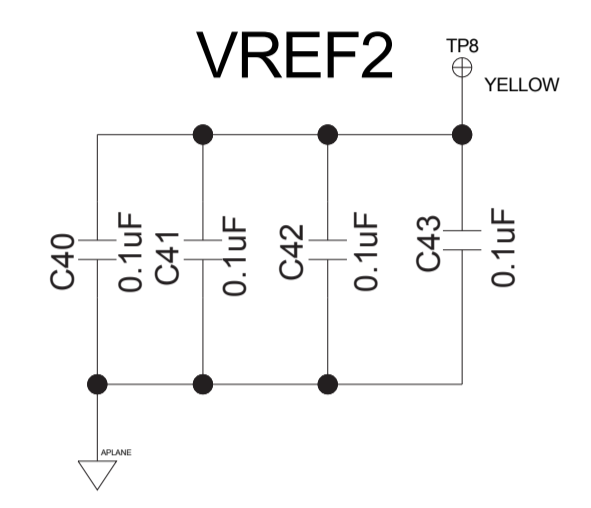
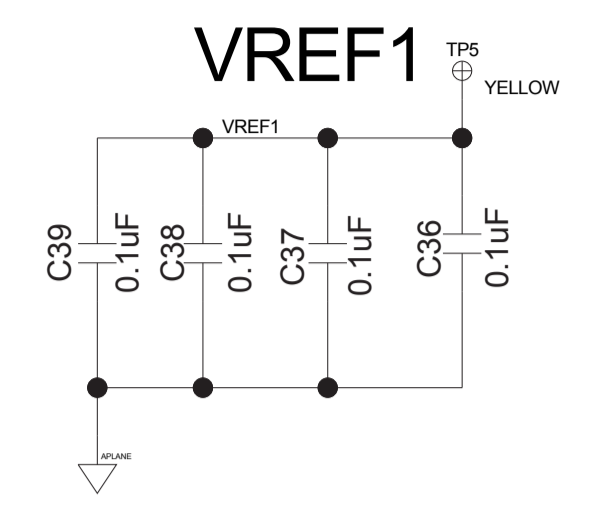


REVISIONS			
REV	DESCRIPTION	DATE	APPROVED
B	INITIAL RELEASE	2007-08-08	NAME



0 Ohm resistors are NOT to be installed.
Solder bridges will be completed
by end user if desired.

Jumpers are NOT to be installed.
Solder bridges will be completed
by end user if desired.



PART NO	DESCRIPTION	REF DES	NOTES
HIGHEST REF DES USED	UNLESS OTHERWISE SPECIFIED DIMENSIONS ARE IN INCHES		
REF DES NOT USED			
DECIMALS .XX ± .010 FRACTIONS XX ± .005 ANGLES ±.1/32 TOLERANCES ±.2		SCHEMATIC ANALOG DEVICES 7910 Triad Center Dr. GREENSBORO, NC 27409	
APPROVAL: _____ DATE: _____ DRAWING NO.: _____ REV. RECORD: _____		ADCLK905/907/914/925 CUSTOMER EVALUATION BOARD SIZE: D FCNM NO: DRAWING NUMBER: 02-000000 REV: C	
DO NOT SCALE		SCALE: NONE	SHEET OF 1 1