
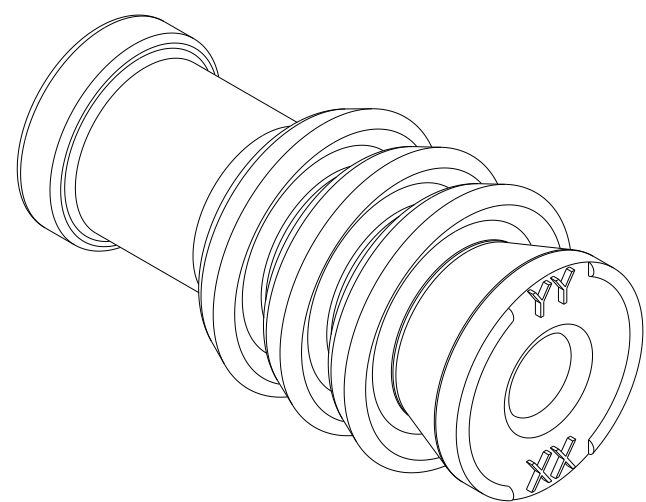
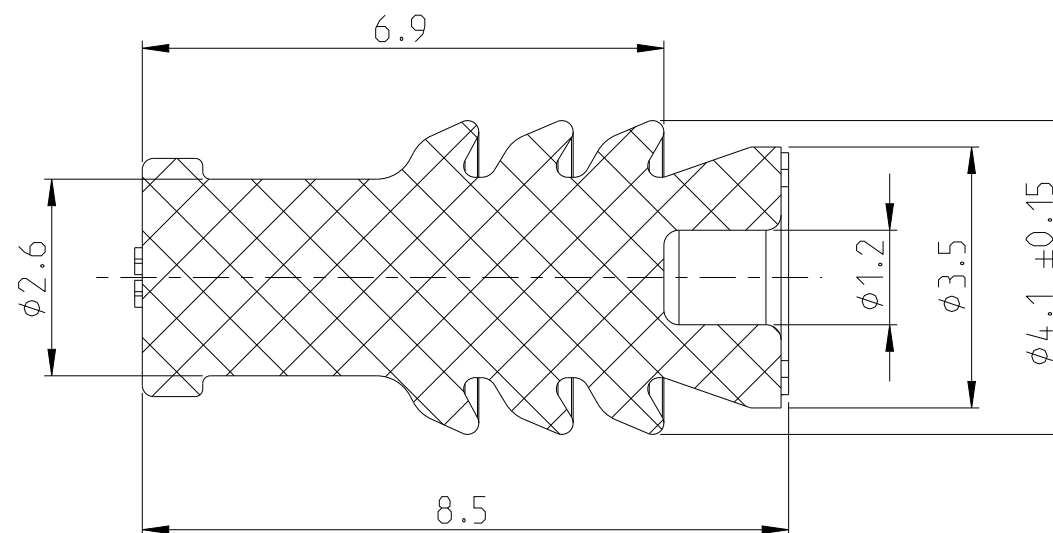
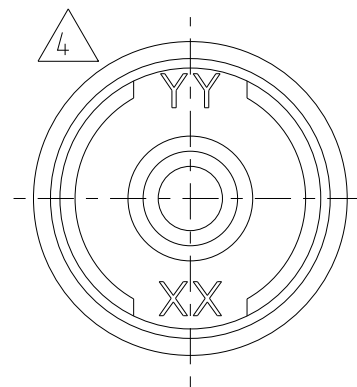
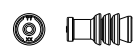


P	LTR	DESCRIPTION	DATE	DWN	APVD
B1		REVISED PER ECO-11-005150	25MAR11	RK	HMR
B2		NEW CREO DRAWING	02MAY2023	BV	GB


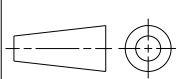
- 1 APPLICATION SPECIFICATION: 114-18025-0
- 2 PRODUCT SPECIFICATION: 108-18403-0
- 3 Material: Silicon MVQ-60
- 4  XX YY: Cavity markings



1:1



5-967056-1	B	same as 967056-1	same as 967056-1	same as 967056-1
967056-1	B	3.45	Blue	0.08
ORDER NO.	REV	CAVITY DIA	COLOUR	WEIGHT [g]

THIS DRAWING IS A CONTROLLED DOCUMENT.		DWN S. Garcia 19-JAN-95	 TE Connectivity	
		CHK R. Jetter 19-JAN-95		
DIMENSIONS: mm		APVD -	NAME Micro Quadlock System RUBBER PLUG for cavity dia 3.45	
 TOLERANCES UNLESS OTHERWISE SPECIFIED: M3 DIN 7715		PRODUCT SPEC 108-18403-0	SIZE A3	
0 PLC ± 1 PLC ± 2 PLC ± 3 PLC ± 4 PLC ± ANGLES ±		APPLICATION SPEC 114-18025-0	CAGE CODE 00779	DRAWING NO C=967056
MATERIAL Silicon MVQ-60		WEIGHT 0.08 g	RESTRICTED TO -	
		CUSTOMER DRAWING	SCALE 10:1	SHEET 1 OF 1
				REV B2