

Würth Elektronik eiSos GmbH & Co. KG

EMC & Inductive Solutions

Max-Eyth-Straße 1 · 74638 Waldenburg · Germany

Tel. +49 (0) 79 42 945-0 · Fax +49 (0) 79 42 945-400

eiSos@we-online.de · www.we-online.de



Product/Process Change Notice (PCN)

- Major change
 Minor change

PCN #: IndTFCH_20170225

Product Affected: WE-TFCH series

PCN Date: November 25th 2016

Effective Date: February 25th 2017

- Product Mark
 Date Code
 Packaging
 Others

Contact: Product Management

Phone: +49 (0) 7942 - 945 5001

Fax: +49 (0) 7942 - 945 5179

E-mail: pcn.eisos@we-online.de

Attachment: Yes No

DESCRIPTION AND PURPOSE OF CHANGE:

In order to enhance the product reliability, Würth Elektronik will change the packaging specifications of the product with effective date of 25th February 2017. The packaging unit will also change according the new packaging.

Affected part numbers:

- 744861018
- 744861033
- 744861056
- 744861082
- 744861100
- 744861120
- 744861180
- 744861250

	Packaging unit before change	Packaging unit after change
Tube/Tray	29	96
Box	725	672

Würth Elektronik eiSos GmbH & Co. KG Sitz Waldenburg, Registergericht Stuttgart HRA 580801

Komplementär Würth Elektronik eiSos Verwaltungs-GmbH, Sitz Waldenburg, Registergericht Stuttgart HRB 581033 · Geschäftsführer Oliver Konz, Thomas Schrott

Bankverbindungen UniCredit Bank AG Stuttgart, Konto 322 620 136, BLZ 600 202 90, IBAN DE86 6002 0290 0322 6201 36, SWIFT/BIC HYVEDEMM473

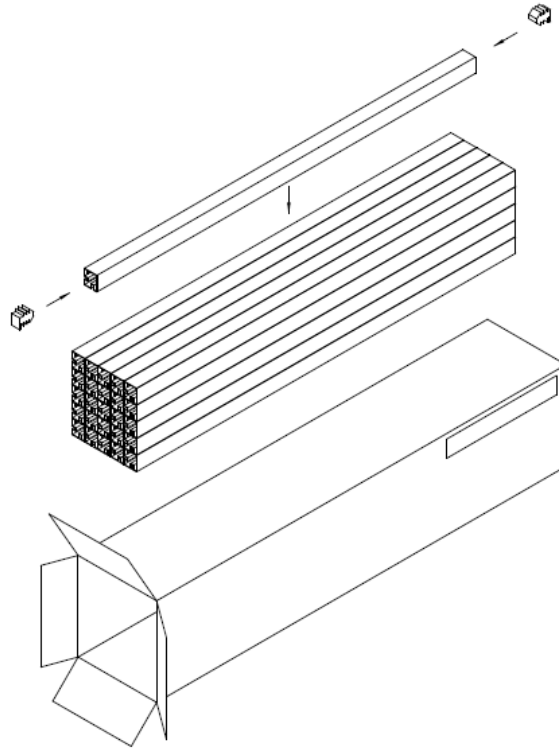
USt.-IdNr. DE220618976

Würth Elektronik eiSos GmbH & Co. KG
 EMC & Inductive Solutions
 Max-Eyth-Straße 1 · 74638 Waldenburg · Germany
 Tel. +49 (0) 79 42 945-0 · Fax +49 (0) 79 42 945-400
 eiSos@we-online.de · www.we-online.de

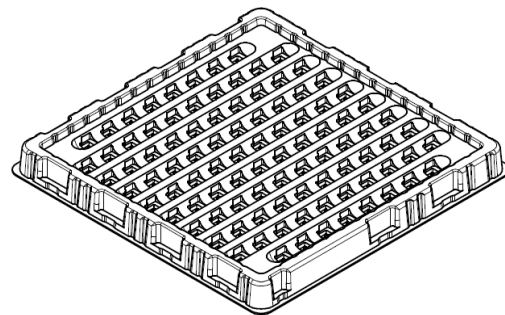
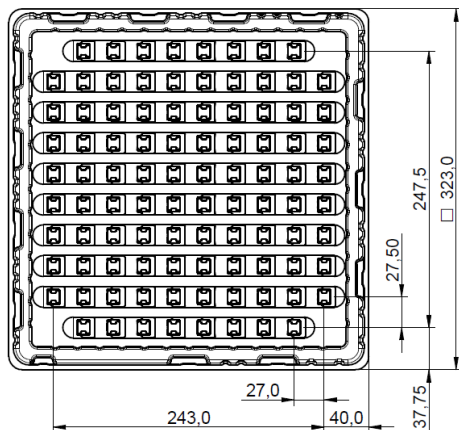
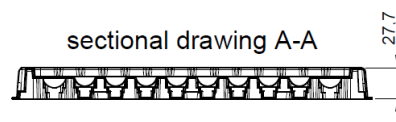
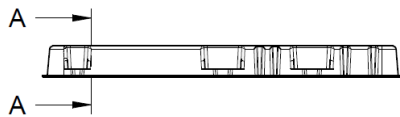


DETAIL OF CHANGE:

Before change



After Change



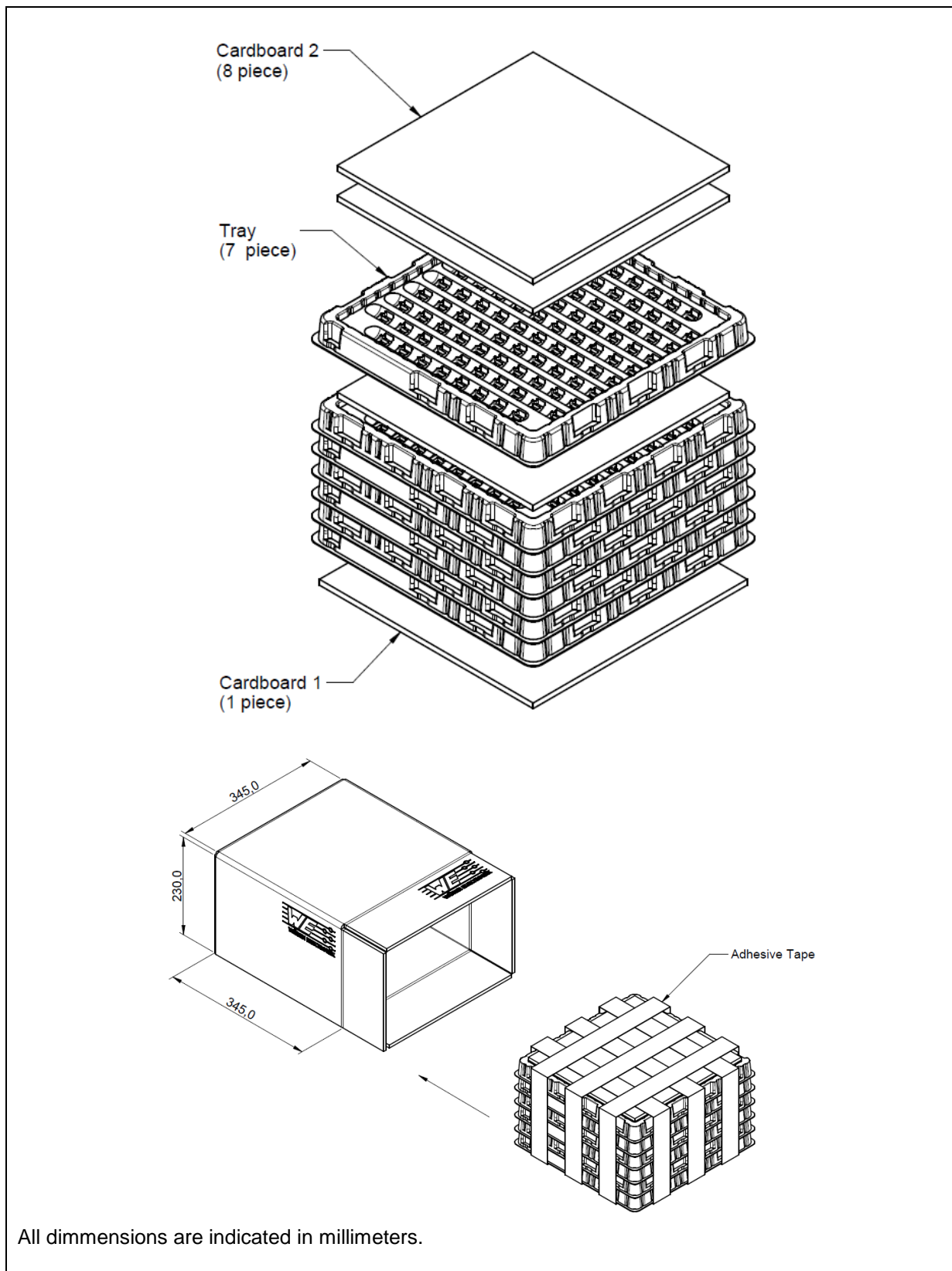
Würth Elektronik eiSos GmbH & Co. KG

EMC & Inductive Solutions

Max-Eyth-Straße 1 · 74638 Waldenburg · Germany

Tel. +49 (0) 79 42 945-0 · Fax +49 (0) 79 42 945-400

eiSos@we-online.de · www.we-online.de



Würth Elektronik eiSos GmbH & Co. KG Sitz Waldenburg, Registergericht Stuttgart HRA 580801

Komplementär Würth Elektronik eiSos Verwaltungs-GmbH, Sitz Waldenburg, Registergericht Stuttgart HRB 581033 · Geschäftsführer Oliver Konz, Thomas Schrott

Bankverbindungen UniCredit Bank AG Stuttgart, Konto 322 620 136, BLZ 600 202 90, IBAN DE86 6002 0290 0322 6201 36, SWIFT/BIC HYVEDEMM473

USt.-IdNr. DE220618976

Würth Elektronik eiSos GmbH & Co. KG

EMC & Inductive Solutions

Max-Eyth-Straße 1 · 74638 Waldenburg · Germany

Tel. +49 (0) 79 42 945-0 · Fax +49 (0) 79 42 945-400

eiSos@we-online.de · www.we-online.de



RELIABILITY / QUALIFICATION SUMMARY:

Product approval is according to the specification and is internally released by the Product Management Department.

DATA SHEET CHANGE:

Yes

No