

4

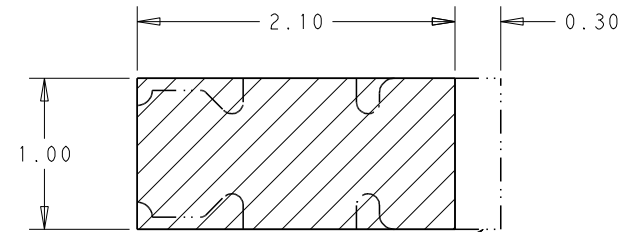
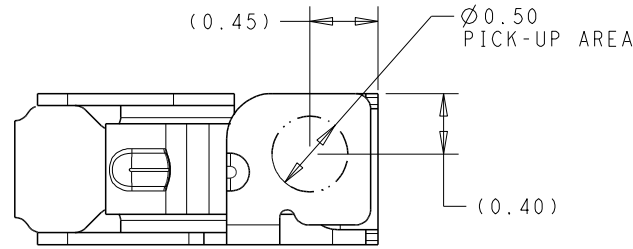
3

2

1

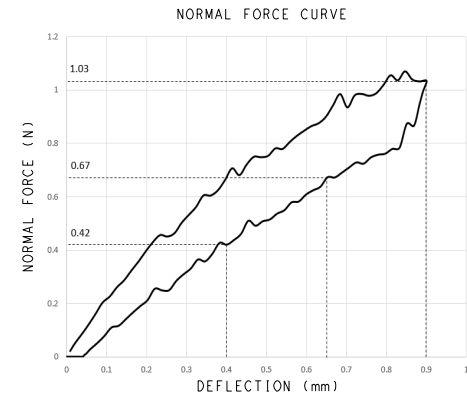
THIS DRAWING IS UNPUBLISHED. RELEASED FOR PUBLICATION 20  
 © COPYRIGHT 20 BY - ALL RIGHTS RESERVED.

REVISIONS					
P	LTR	DESCRIPTION	DATE	DWN	APVD
	A	REVISED	09APR2017	J. J	W. H

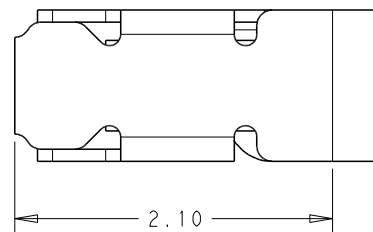
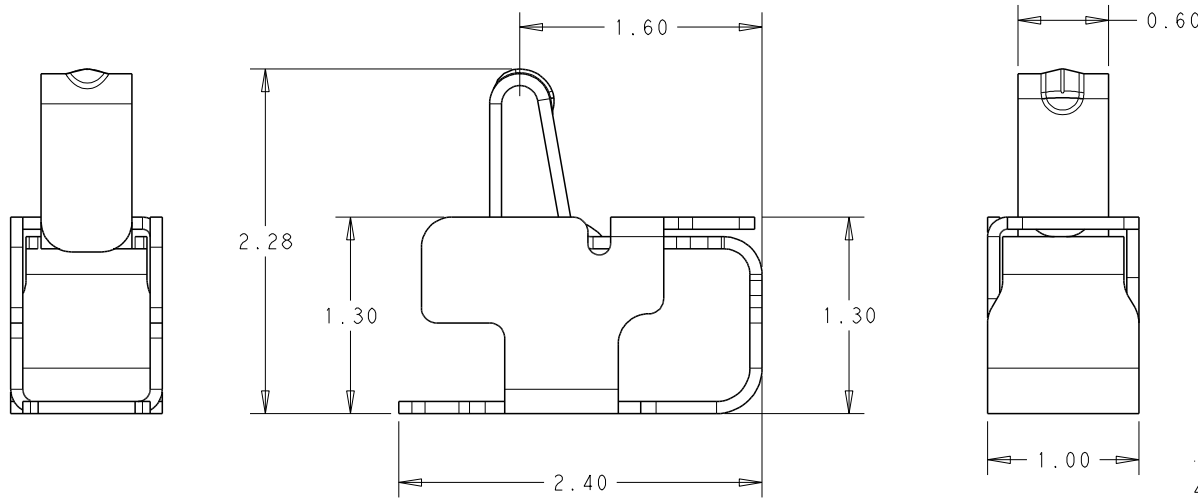


PRODUCT PROFILE

REFERENCE PCB LAYOUT TOLERANCE ±0.05

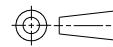


- 1 PART NUMBER: 2306454-3
- 2 MATERIAL: STAINLESS STEEL, THICKNESS=0.08MM.
- 3 PLATING: 2um MIN. NICKEL UNDERLAYER ALL OVER  
0.10um MIN. GOLD ON CONTACT SURFACE  
GOLD FLASH ON SOLDERING SURFACE
- 4 PICK AND PLACE SURFACE Ø0.5MM.
- 5 WORKING RANGE 1.65±0.25mm.



THIS DRAWING IS A CONTROLLED DOCUMENT.

DIMENSIONS: mm  
 TOLERANCES UNLESS OTHERWISE SPECIFIED: ±0.2



0-PLC	±
1-PLC	±0.1
2-PLC	±0.01
3-PLC	±0.001
4-PLC	±0.0001
ANGLES	±
FINISH	

MATERIAL SEE NOTE  
 FINISH SEE NOTE

DWN	JONE JI	03JUL2016
CHK	Wenke He	03JUL2016
APVD	Wenke He	03JUL2016
PRODUCT SPEC	108-115120	
APPLICATION SPEC		
WEIGHT		

**STE** TE Connectivity

NAME: SPRING FINGER 2.3H

SIZE	A3	CAGE CODE	-	DRAWING NO	©=2306454	RESTRICTED TO	-
------	----	-----------	---	------------	-----------	---------------	---

CUSTOMER DRAWING SCALE 1:1 SHEET 1 OF 2 REV A

4

3

2

1

THIS DRAWING IS UNPUBLISHED.

RELEASED FOR PUBLICATION

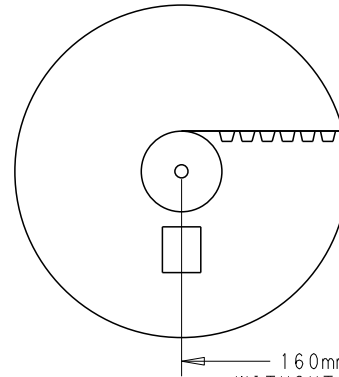
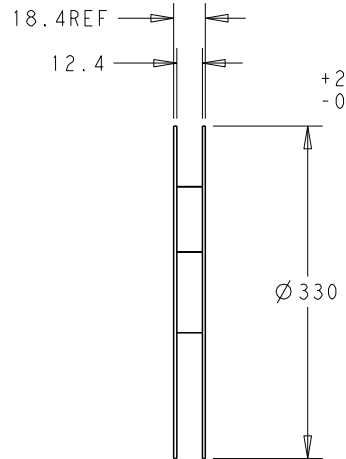
04MAR2004

© COPYRIGHT 04MAR2004 BY -

ALL RIGHTS RESERVED.

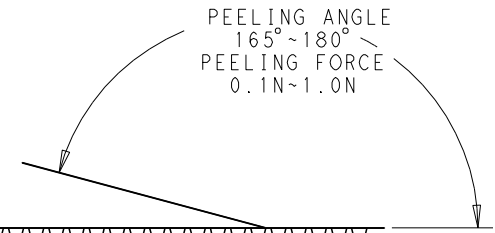
REVISIONS

P	LTR	DESCRIPTION	DATE	DWN	APVD



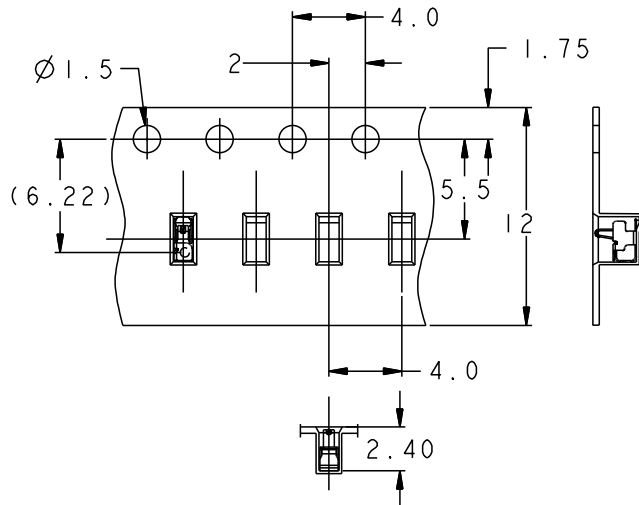
WITH PRODUCT CHARGE  
5000 EA/REEL  
NO EMPTY POCKETS  
ARE PERMITTED

160mm MIN  
WITHOUT CHARGE



300mm MIN COVER TAPE  
100mm MIN WITHOUT CHARGE

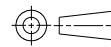
→ DIRECTION OF TOP OF REEL



PACKAGE FOR REFERENCE

THIS DRAWING IS A CONTROLLED DOCUMENT.

DIMENSIONS:  
mm



MATERIAL  
SEE NOTE

TOLERANCES UNLESS OTHERWISE SPECIFIED:  
± 0.2  
0-PLC ±  
1-PLC ±0.1  
2-PLC ±0.01  
3-PLC ±0.001  
4-PLC ±0.0001  
ANGLES ±

FINISH  
SEE NOTE

DWN JONE JI 12JUL2016  
CHK WENKE HE 12JUL2016  
APVD WENKE HE 12JUL2016

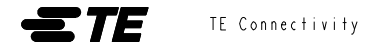
PRODUCT SPEC  
APPLICATION SPEC

WEIGHT

CUSTOMER DRAWING

NAME  
SPRING FINGER 2.3H

SIZE A3  
CAGE CODE -  
DRAWING NO ©=2306454  
RESTRICTED TO -



SCALE 1:5 SHEET 2 OF 2 REV A