

## Crimp contact - CK 2,5-ED-0,37ST AU HAR - 1408122


Please be informed that the data shown in this PDF Document is generated from our Online Catalog. Please find the complete data in the user's documentation. Our General Terms of Use for Downloads are valid (<http://phoenixcontact.com/download>)



Crimp contact CK 2,5... for special tool



### Key Commercial Data

Packing unit	100 pc
Minimum order quantity	2000 pc
GTIN	 4 046356 561419
GTIN	4046356561419

### Technical data

#### Ambient conditions

Ambient temperature (operation)	-40 °C ... 125 °C
---------------------------------	-------------------

#### Mechanical characteristics

Conductor cross section	0.14 mm <sup>2</sup> ... 0.37 mm <sup>2</sup>
Connection cross section AWG	22 ... 26
Stripping length of the individual wire	7.5 mm (9.5 mm at HC-M-HV...)
Contact diameter	2.5 mm
Insertion/withdrawal cycles	≥ 500

#### General

Type	Individual male contact
Series	HC-M-06
Color	gold
Connection method	Crimp connection
Contact type	turned
Assembly instructions	At voltages of < 5 V and currents < 5 mA, gold-plated contacts are recommended.
Connection	The quality of a crimp connection is determined by DIN EN 60352-2.

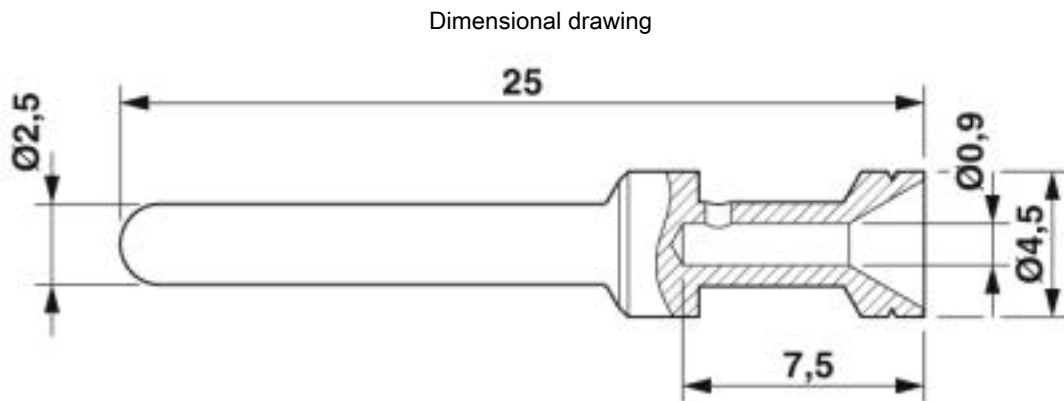
## Crimp contact - CK 2,5-ED-0,37ST AU HAR - 1408122

### Technical data

#### Material data

Contact material	Copper alloy
Contact surface material	gold-plated

### Drawings



Dimensional drawing

---

Phoenix Contact 2019 © - all rights reserved  
<http://www.phoenixcontact.com>

PHOENIX CONTACT GmbH & Co. KG  
Flachsmarktstr. 8  
32825 Blomberg  
Germany  
Tel. +49 5235 300  
Fax +49 5235 3 41200  
<http://www.phoenixcontact.com>