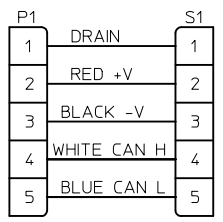
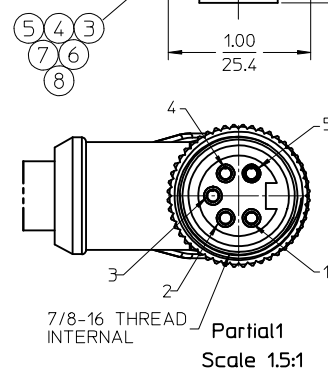
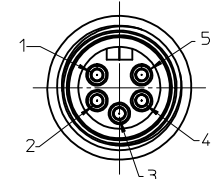
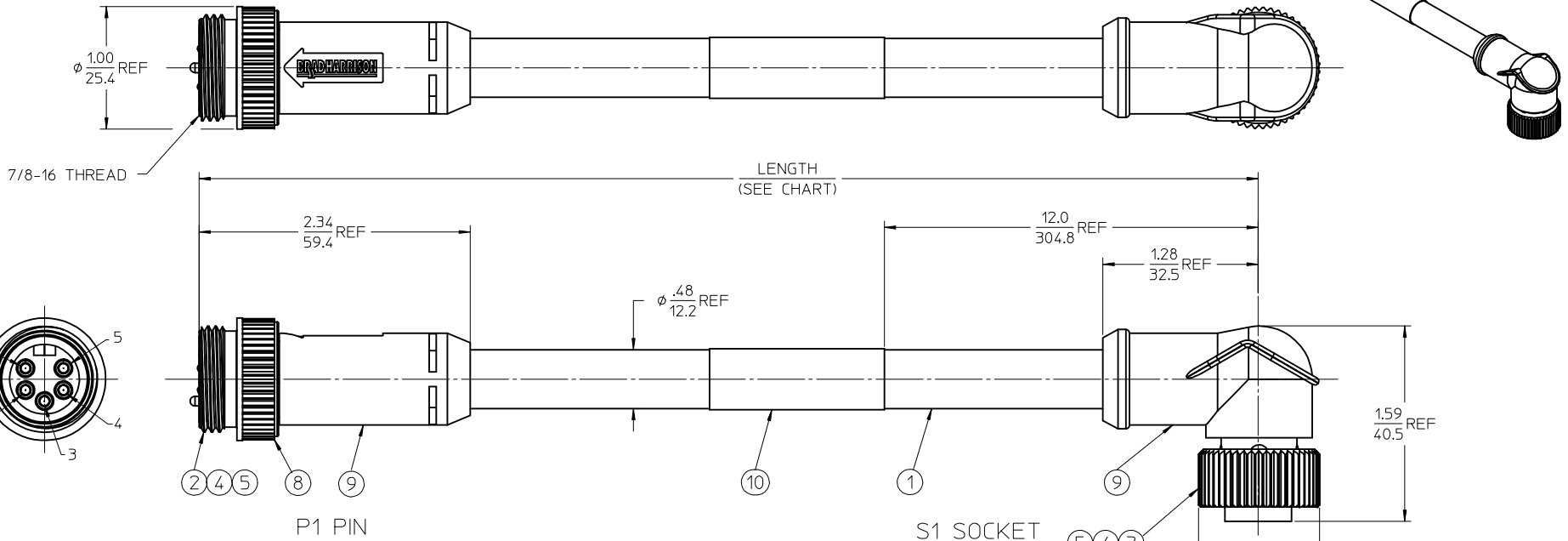


PART NUMBER	ENGINEERING NO.	LENGTH
1300250468	DNF91A-M010	3' 3" +2.19 - 0 [1.0M +55.6 - 0]
1300250470	DNF91A-M030	9' 10" +3.50 - 0 [3.0M +88.9 - 0]
1300250472	DNF91A-M050	16' 5" +6.50 - 0 [5.0M +165.1 - 0]



- NOTES:
1. MATERIAL: SEE TABLE
 2. FINISHES: SEE TABLE
 3. CABLE ASSEMBLIES ARE BAGGED SEPARATELY IN POLY BAGS WITH BARCODE LABEL ATTACHED TO OUTSIDE OF BAG
 4. WRAP LABEL IS MARKED WITH P/N, DATE CODE VOLTAGE & AMPERAGE
 5. MATES WITH: MINI CHANGE, A-SIZE 5 POLE
 6. ELECTRICAL SPECIFICATIONS:
VOLTAGE RATING: 300V
CURRENT RATING: 4 AMPS
 7. ASSEMBLY IS RoHS COMPLIANT

ITEM	QTY.	DESCRIPTION	MATERIAL	FINISH
10	1	LABEL	PLASTIC FILM	BLACK/YELLOW
9	1	OVERMOLD	PVC	GRAY
8	1	COUPLING NUT	ZINC DIE CAST	BLACK
7	1	FRICTION RING	NYLON	WHITE
6	5	SOCKET SLEEVE	ST. STEEL	
5	3	CONTACT, 18 AWG	BRASS	GOLD PLATED
4	2	CONTACT, 15 AWG	BRASS	GOLD PLATED
3	1	INSERT, FEMALE, 5 POLE	PVC	GRAY
2	1	INSERT, MALE, 5 POLE	PVC	GRAY
1	1	CABLE - MID. DEV-NET, TRUNK, 18/2, 15/2	PVC JACKET	GRAY

RELEASED EC NO: MNA2010-0048 DRAWN: RUPERT 2009/07/17 CHKD: WOODMAN APPR: J. MURPHY 2009/07/20	DESCRIPTION REV: A	QUALITY SYMBOLS $\nabla=0$ $\nabla=0$	GENERAL TOLERANCES (UNLESS SPECIFIED) <table border="1"> <thead> <tr> <th></th> <th>mm</th> <th>INCH</th> </tr> </thead> <tbody> <tr> <td>4 PLACES</td> <td>\pm ---</td> <td>\pm ---</td> </tr> <tr> <td>3 PLACES</td> <td>\pm ---</td> <td>\pm ---</td> </tr> <tr> <td>2 PLACES</td> <td>\pm ---</td> <td>\pm ---</td> </tr> <tr> <td>1 PLACE</td> <td>\pm ---</td> <td>\pm ---</td> </tr> </tbody> </table>		mm	INCH	4 PLACES	\pm ---	\pm ---	3 PLACES	\pm ---	\pm ---	2 PLACES	\pm ---	\pm ---	1 PLACE	\pm ---	\pm ---	DIMENSION STYLE IN/MM DRAWN BY: B. RUPERT DATE: 2009/07/07 CHECKED BY: B. WOODMAN DATE: 2009/07/07 APPROVED BY: J. MURPHY DATE: 2009/07/07	SCALE 15:1 TITLE MINI-CHANGE 5 POLE M/FE ST/90 TRUNK CABLE - THK FLEX	DESIGN UNITS INCH THIRD ANGLE PROJECTION	MATERIAL NO. SEE CHART	DOCUMENT NO. SD-130025-017	SHEET NO. 1 OF 1
			mm	INCH																				
		4 PLACES	\pm ---	\pm ---																				
		3 PLACES	\pm ---	\pm ---																				
2 PLACES	\pm ---	\pm ---																						
1 PLACE	\pm ---	\pm ---																						
DRAFT WHERE APPLICABLE MUST REMAIN WITHIN DIMENSIONS			THIS DRAWING CONTAINS INFORMATION THAT IS PROPRIETARY TO MOLEX INCORPORATED AND SHOULD NOT BE USED WITHOUT WRITTEN PERMISSION																					