

6

5

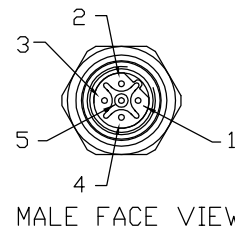
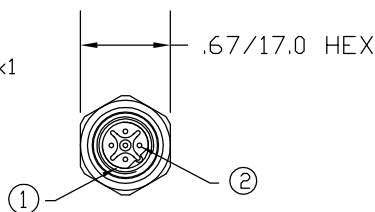
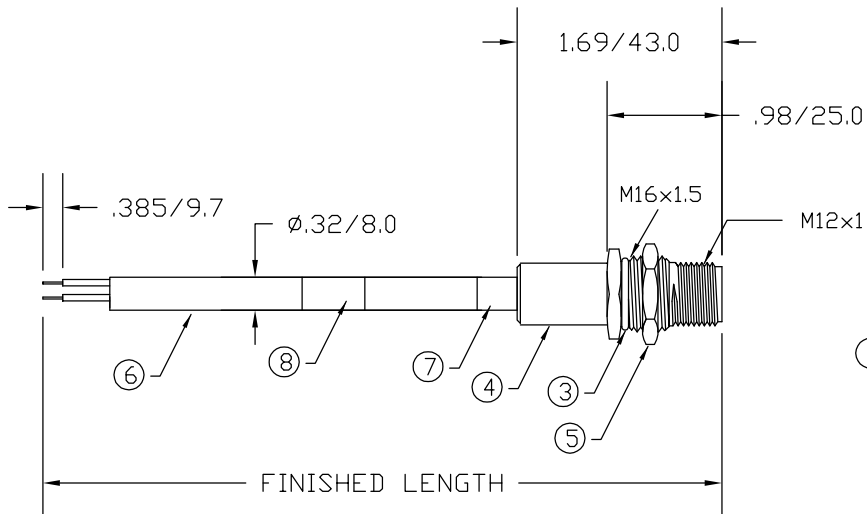
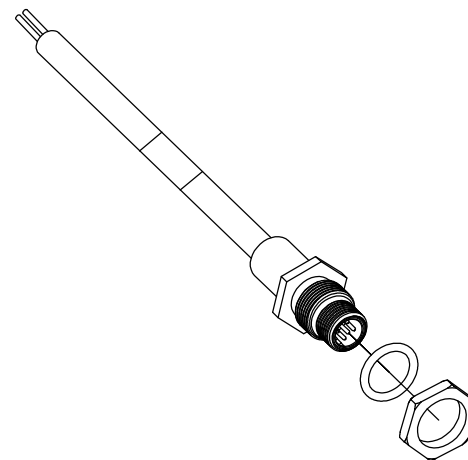
4

3

2

1

MATERIAL NUMBER	OLD PART NUMBER	FINISHED LENGTH
120099-0013	BR5U76PP4M0103	3.28' +2.19" -0 [1.0M +55.6 -0]
120099-0015	BR5U76PP4M0203	6.56' +3.50" -0 [2.0M +88.9 -0]
120099-8001	BR5U76PP4M0303	9.84' +3.50" -0 [3.0M +88.9 -0]
120099-0016	BR5U76PP4M0403	13.12' +6.50" -0 [4.0M +165.1 -0]
120099-0019	BR5U76PP4M0503	16.40' +6.50" -0 [5.0M +165.1 -0]



1	NOT CONNECTED
2	GREEN (LINE A)
3	NOT CONNECTED
4	RED (LINE B)
5	DRAIN WIRE

WIRING DIAGRAM

ITEM	COMPONENT	MATERIAL	FINISH
1	INSERT	NYLON	BLACK
2	CONTACT PIN	COPPER ALLOY	GOLD OVER NICKEL
3	O-RING	NITRILE	BLACK
4	RECEPTACLE SHELL	BRASS	NICKEL PLATED
5	LOCKNUT	BRASS	NICKEL PLATED
6	CONDUCTOR- 24 AWG, (.22mm) COPPER STRANDING TWISTED PAIR SHIELD WITH BRAID	PUR	PURPLE
7	HEAT SHRINK TUBING	POLYOLEFIN	BLACK
8	LABEL	MYLAR	BLACK/YELLOW

VOLTAGE RATING	250 VAC/VDC
AMPERAGE RATING	4 AMPS
PROTECTION	IP67
OPERATING TEMPERATURE	-20°C TO 80°C

<b>RLSD DRAWING</b> EC NO: WNA209-0631 DRWN: BWOODMAN CHKD: JM APPR: JFMURPHY 2009/04/01 3/26/09	<b>QUALITY SYMBOLS</b> $\nabla=0$ $\nabla/c=0$	<b>GENERAL TOLERANCES (UNLESS SPECIFIED)</b>		<b>DIMENSION STYLE</b> IN/MM		SCALE ---	DESIGN UNITS ---	<b>THIRD ANGLE PROJECTION</b>
		4 PLACES ±--- ±---	mm INCH	DRAWN BY DATE <b>BW 2009/03/27</b>	<b>TITLE</b> MICRO-CHANGE RECEPTACLE 5P MALE PROFIBUS M16 MOUNTING THREADS			
		3 PLACES ±--- ±---	2 PLACES ±--- ±.01	CHECKED BY DATE <b>TW 2009/03/27</b>	<b>MOLEX INCORPORATED</b>			
		1 PLACE ±0.3 ±---	ANGULAR ±---°	APPROVED BY DATE ---	MATERIAL NO. <b>SEE CHART</b>	DOCUMENT NO. <b>SD-120099-001</b>	SHEET NO. <b>1 OF 1</b>	
<b>DRAFT WHERE APPLICABLE MUST REMAIN WITHIN DIMENSIONS</b>		THIS DRAWING CONTAINS INFORMATION THAT IS PROPRIETARY TO MOLEX INCORPORATED AND SHOULD NOT BE USED WITHOUT WRITTEN PERMISSION						

6

5

4

3

2

1