

MATERIAL NO.	LENGTH	REF. OVERALL LENGTH
847022001	1 FT 0 IN (0.3M)	1 FT 4.4 IN (0.42M)
847022003	3 FT 0 IN (0.9M)	3 FT 4.4 IN (1.03M)
847022006	6 FT 0 IN (1.8M)	6 FT 4.4 IN (1.94M)
847022007	7 FT 0 IN (2.1M)	7 FT 4.4 IN (2.25M)
847022009	9 FT 0 IN (2.7M)	9 FT 4.4 IN (2.85M)
847022010	10 FT 0 IN (3.1M)	10 FT 4.4 IN (3.16M)
847022012	12 FT 0 IN (3.7M)	12 FT 4.4 IN (3.77M)

MATERIAL NO.	LENGTH	REF. OVERALL LENGTH
847022015	15 FT 0 IN (4.4M)	15 FT 4.4 IN (4.68M)
847022020	20 FT 0 IN (6.1M)	20 FT 4.4 IN (6.21M)
847022021	21 FT 0 IN (6.4M)	21 FT 4.4 IN (6.51M)
847022030	30 FT 0 IN (9.1M)	30 FT 4.4 IN (9.26M)
847022050	50 FT 0 IN (15.2M)	50 FT 4.4 IN (15.35M)

CABLE LENGTH TOLERANCES

<.3M [1FT]: +19mm-0 [+ .75in-0]

.3 - .9M [1 - 3FT]: +44.5mm-0 [+1.75in-0]

.9 - 1.8M [3 - 6FT]: +55.6mm-0 [+2.19in-0]

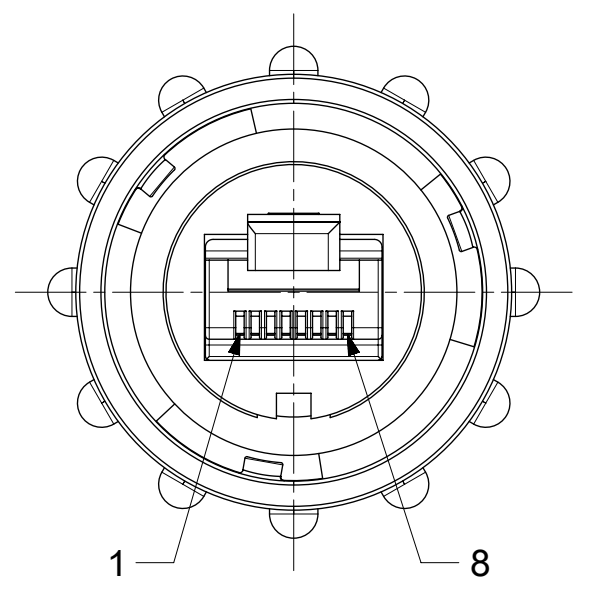
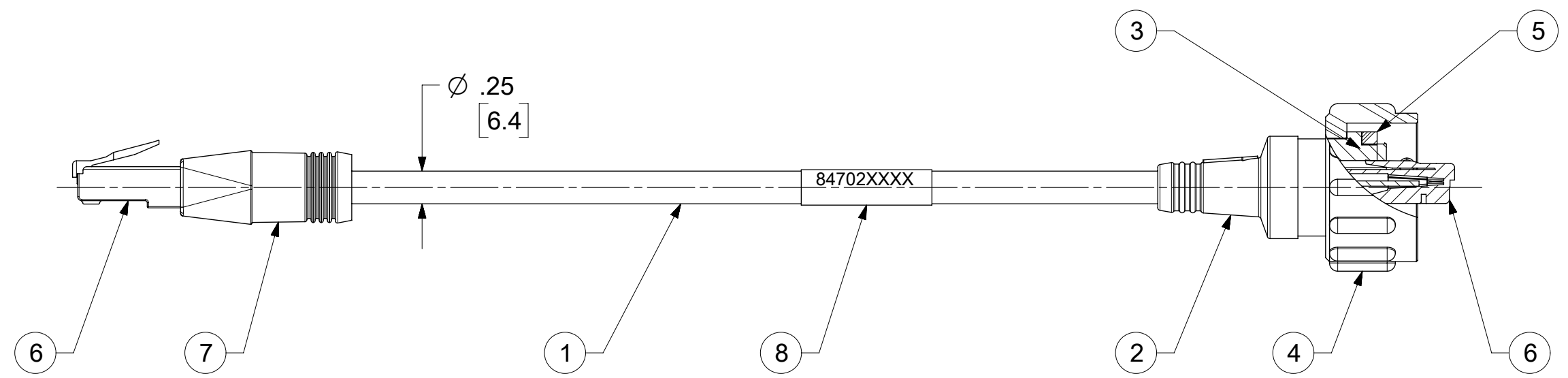
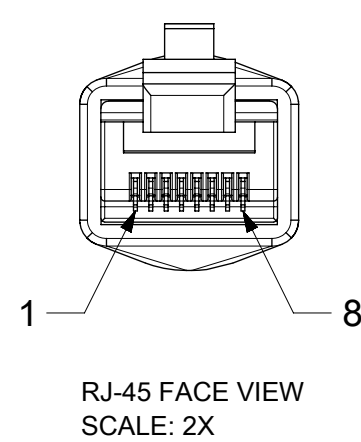
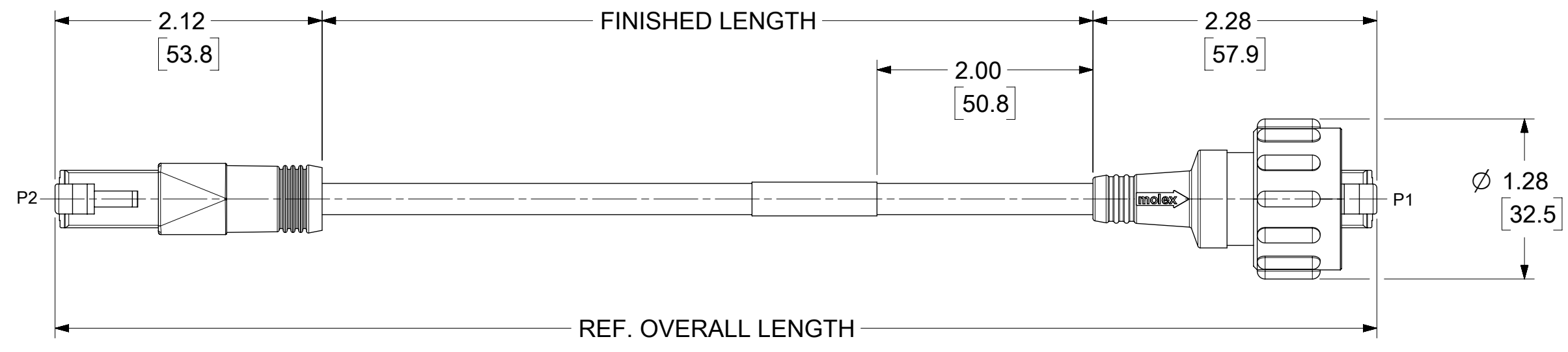
1.8 - 3.7M [6 - 12FT]: +88.9mm-0 [+3.50in-0]

3.7 - 7.3M [12 - 24FT]: +165.1mm-0 [+6.50in-0]

7.3-14.6M [24 - 48FT]: +317.5mm-0 [+12.50in-0]

14.6 - 30.5M [48-100FT]: +622.3mm-0 [+24.50in-0]

OVER 30M [100FT]: +2% OF FINISHED LENGTH



- NOTES:**
- MATERIAL: AS NOTED
 - FINISH: AS NOTED
 - ELECTRICAL:
VOLTAGE: 125V
CURRENT: 1.5A
 - TEMP RATING: -20°C TO +80°C
 - PROTECTION: IP67 (WHEN MATED)
 - MATES WITH STANDARD & BAYONET STYLE RJ-45 JACK ASSEMBLIES.
 - ASSEMBLY IS ROHS COMPLIANT
 - ALL DIMS ARE FOR REFERENCE UNLESS TOLERANCED OR NOTED OTHERWISE

P2	P1
1 WHITE-ORANGE	1
2 ORANGE	2
3 WHITE-GREEN	3
4 BLUE	4
5 WHITE-BLUE	5
6 GREEN	6
7 WHITE-BROWN	7
8 BROWN	8

WIRE DIAGRAM (TIA/EIA 568B)

PRE-RELEASE REFERENCE USE ONLY

ITEM	DESCRIPTION	MATERIAL	DESCRIPTION
8	WRAP LABEL	VINYL	BLACK/YELLOW
7	RJ-45 OVERMOLD	TPC	BLACK
6	RJ-45 PLUG, SHIELDED	PER VENDOR SPEC	GOLD PL. CONTACTS
5	GASKET SEAL	NITRILE	BLACK
4	RJ-45 COUPLING RING	PBT	BLACK
3	RJ-45 HOLDER	PBT	BLACK
2	OVERMOLD BODY	TPC	BLACK
1	#24-4 PAIR ENET CBL CAT 6	PVC JACKET	GRAY

THIS DRAWING CONTAINS INFORMATION THAT IS PROPRIETARY TO MOLEX ELECTRONIC TECHNOLOGIES, LLC AND SHOULD NOT BE USED WITHOUT WRITTEN PERMISSION

FUNCTIONAL SYMBOLS: FA=0, FC=0, FP=0

DIMENSION UNITS: INCH/MM, SCALE: 1:1

GENERAL TOLERANCES (UNLESS SPECIFIED): 4 PLACES ±, 3 PLACES ±, 2 PLACES ±, 1 PLACE ±, 0 PLACES ±

ANGULAR TOL: ± °

DRAFT WHERE APPLICABLE MUST REMAIN WITHIN DIMENSIONS

THIRD ANGLE PROJECTION

DRAWING: C-SIZE, SERIES: 84702

CURRENT REV DESC: REDRAW TO NX, UPDATE NOTES, ADD CABLE LENGTH TOLS

EC NO: 658727
DRWN: RSTONE
CHK'D: MZIELINSKI
APPR:

INITIAL REVISION:
DRWN: S GILBERT
APPR: pwaltz

2020/10/26
2021/03/23

2003/11/18
2003/11/19

molex

RJ45 CORD ASSEMBLY
MALE BAYONET TO MALE NO DRAIN WIRE

PRODUCT CUSTOMER DRAWING

DOCUMENT NUMBER: SD-84702-002
DOC TYPE: PSD
DOC PART: 001
REVISION: L

MATERIAL NUMBER: SEE MAT. NO CHART
CUSTOMER: GENERAL MARKET
SHEET NUMBER: 1 OF 1