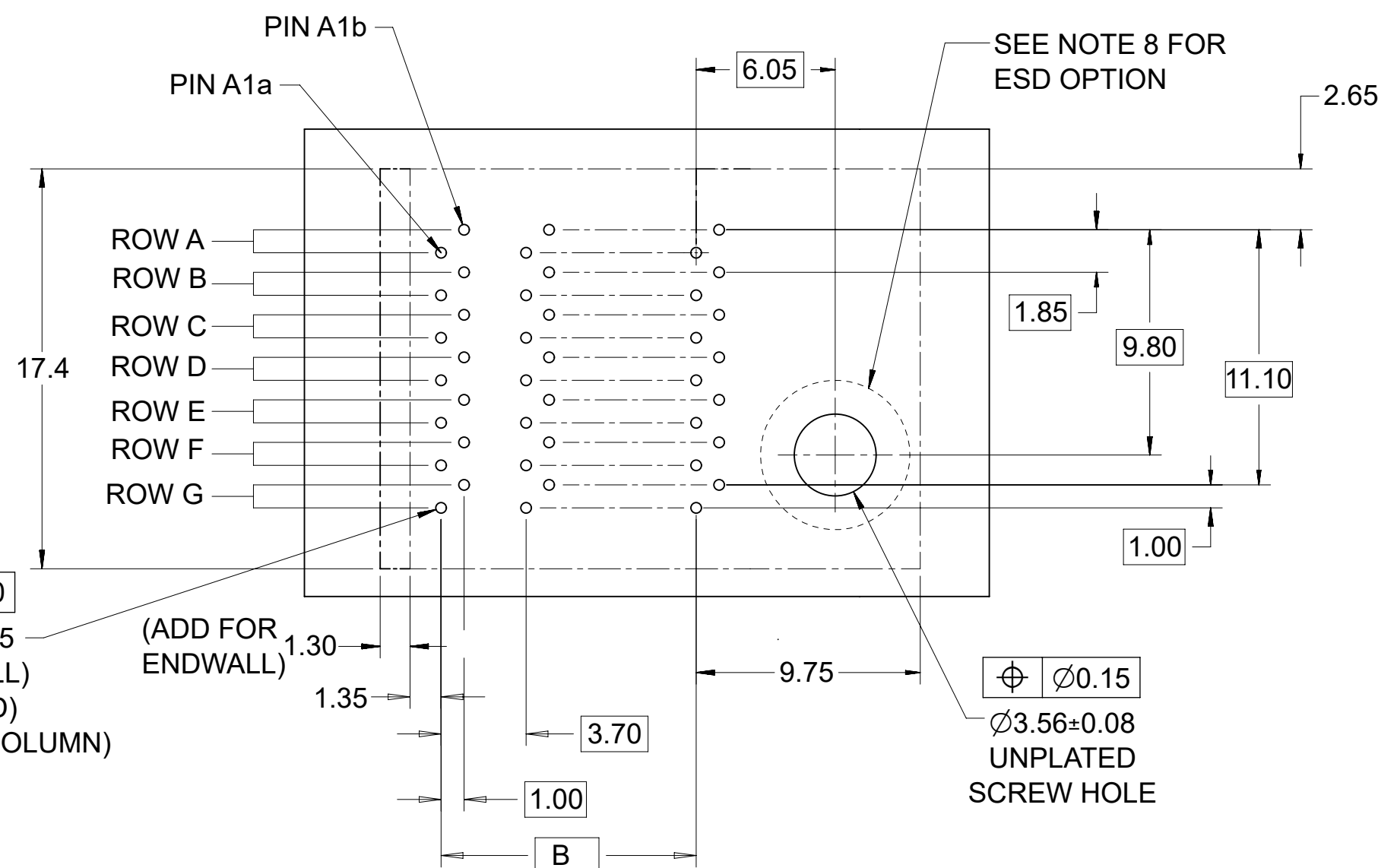
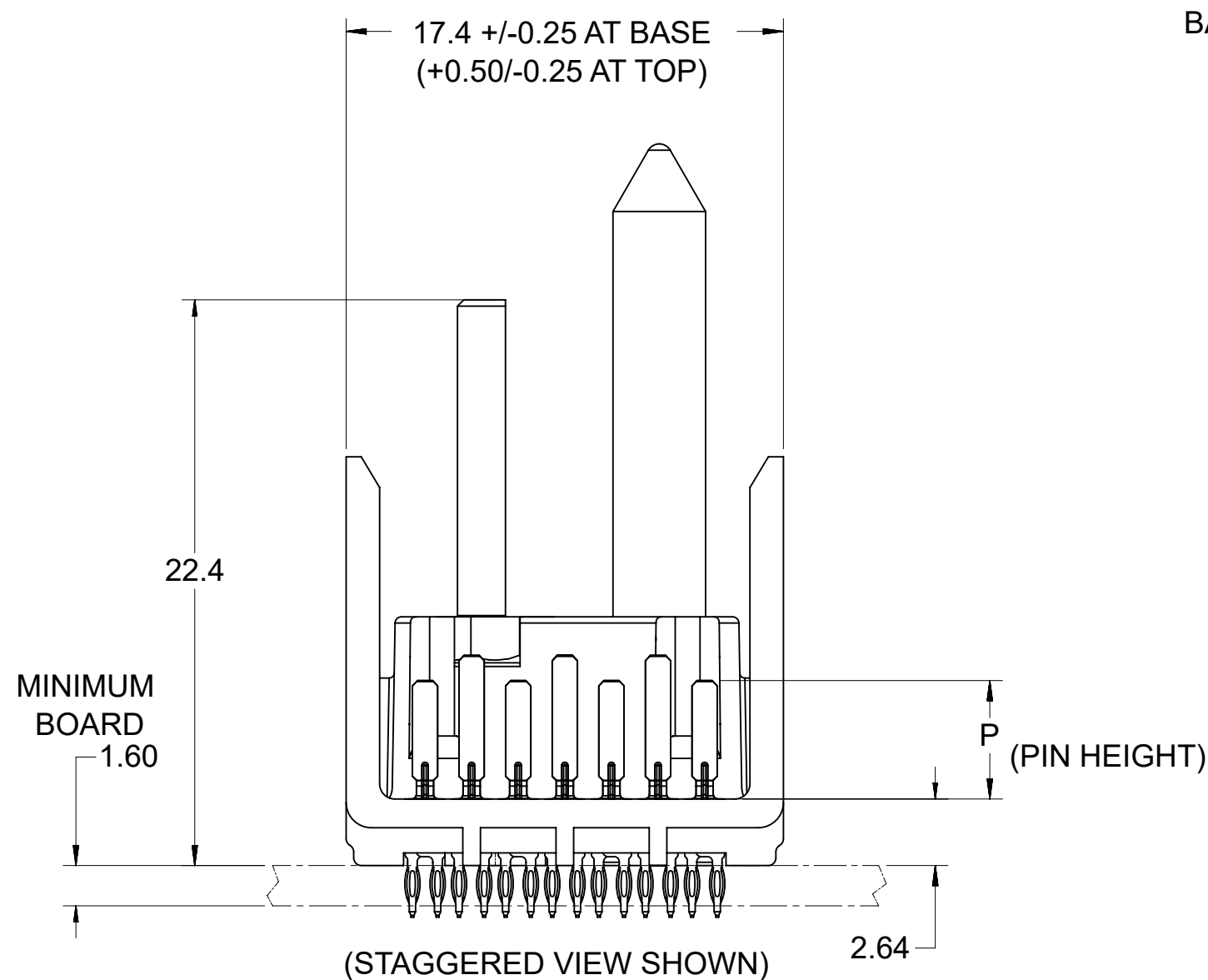
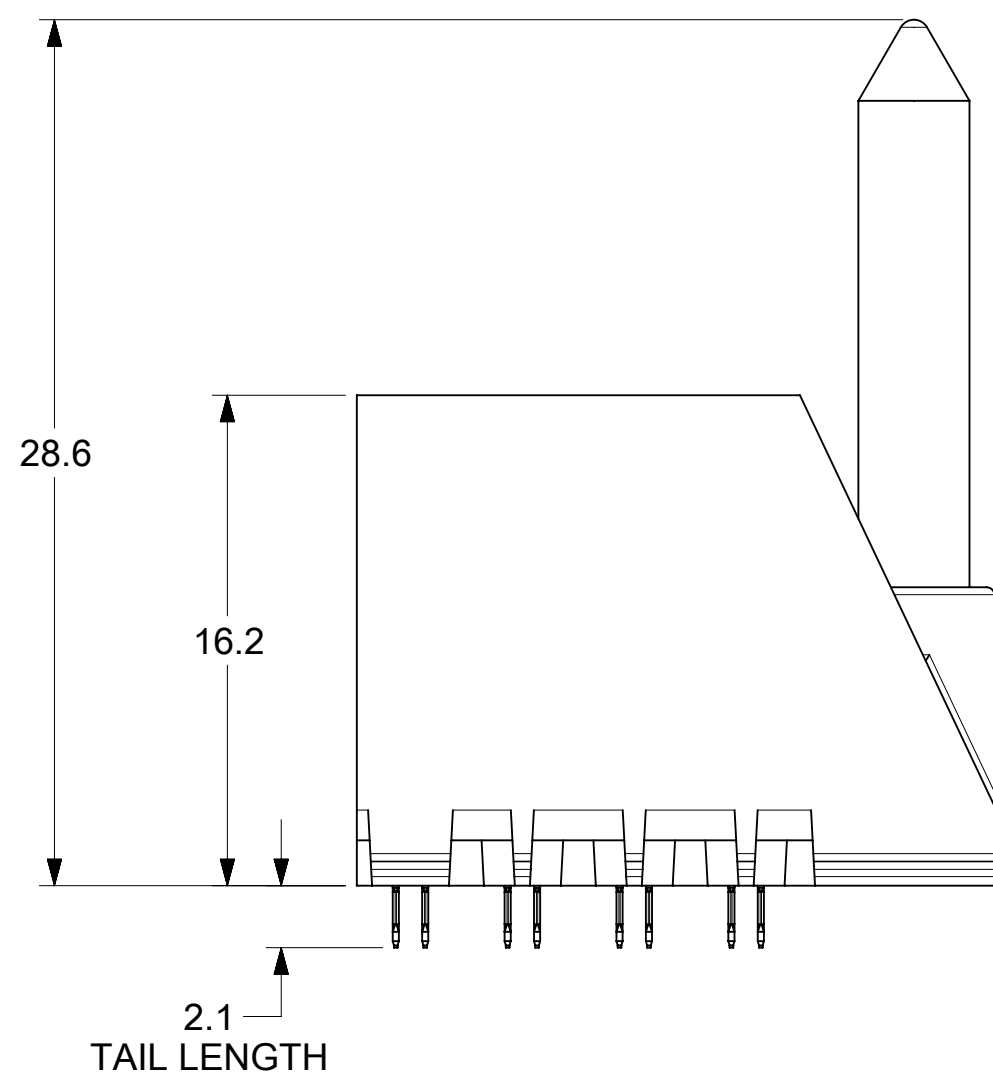
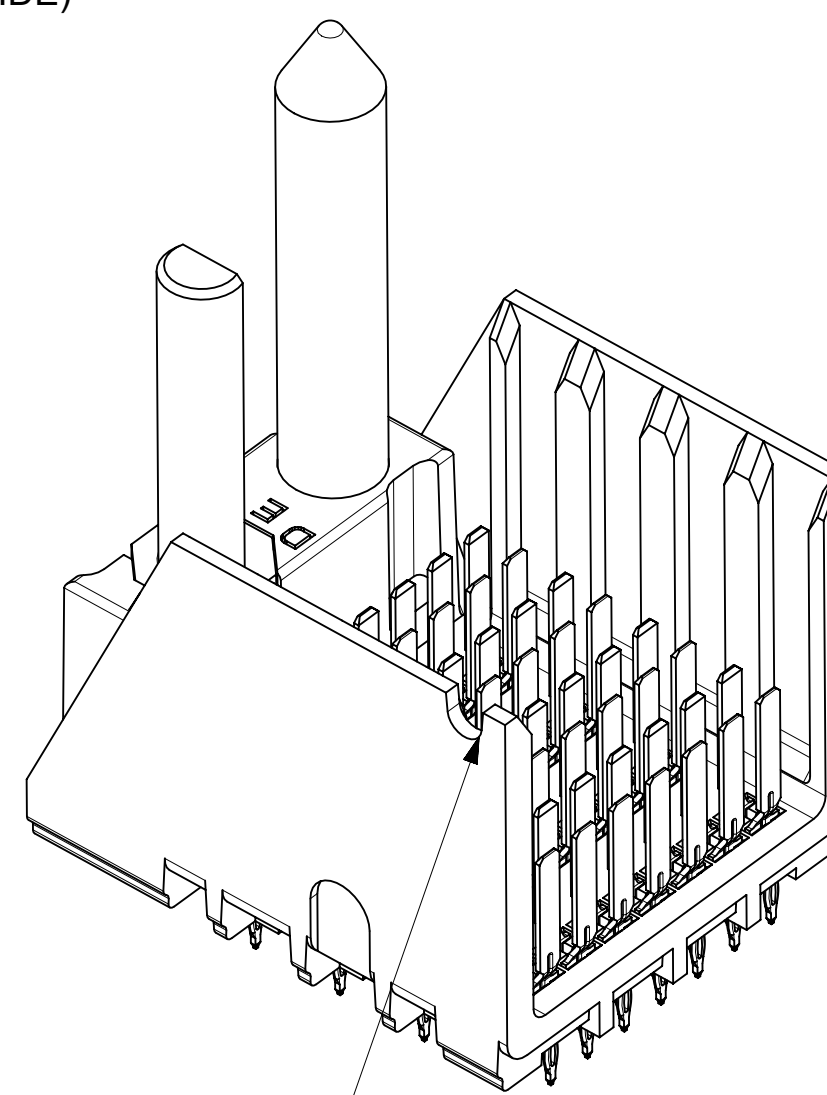


KEY SHOWN IN POSITION "E"



BACKPLANE HOLE PATTERN (CONNECTOR SIDE)



NOTCH DESIGNATES ROW A

THIS DRAWING CONTAINS INFORMATION THAT IS PROPRIETARY TO MOLEX ELECTRONIC TECHNOLOGIES, LLC AND SHOULD NOT BE USED WITHOUT WRITTEN PERMISSION													
DIMENSION UNITS		SCALE		CURRENT REV DESC: REMASTERED TO NX									
mm		NTS		<p>I-TRAC BACKPLANE 7 ROW GUIDE RIGHT ASSEMBLY SALES DRAWING</p> <p>PRODUCT CUSTOMER DRAWING</p>									
GENERAL TOLERANCES (UNLESS SPECIFIED)													
ANGULAR TOL ± 0.5°													
4 PLACES ±		EC NO: 671119								2021/07/08			
3 PLACES ±		DRWN: YOGEEB								2022/02/03			
2 PLACES ± 0.13		CHK'D: VINODM3		2022/02/18									
1 PLACE ± 0.25		APPR: CWANG25		INITIAL REVISION:									
0 PLACES ±		DRWN: BPISZCZOR		2007/02/08		DOCUMENT NUMBER							
		APPR: JLAURX		2007/02/09		SD-76015-004							
DRAFT WHERE APPLICABLE MUST REMAIN WITHIN DIMENSIONS		THIRD ANGLE PROJECTION		DRAWING		SERIES		MATERIAL NUMBER					
				C-SIZE		76015		SEE TABLE					
				CUSTOMER		GENERAL MARKET		SHEET NUMBER					
								1 OF 4					

DOCUMENT STATUS	P1	RELEASE DATE	2022/02/18	05:04:13
-----------------	----	--------------	------------	----------

76015-****

MODULE TYPE -- TAIL PLATING TYPE
 GUIDE RIGHT -- TIN ONLY = 4 (PREVIOUSLY TIN/LEAD)
 GUIDE RIGHT -- TIN ONLY = 5
 GUIDE RIGHT W/END -- TIN ONLY = 8 (PREVIOUSLY TIN/LEAD)
 GUIDE RIGHT W/END -- TIN ONLY = 9

OF COLUMNS
 4 = 4 COL
 6 = 6 COL
 1 = 10 COL

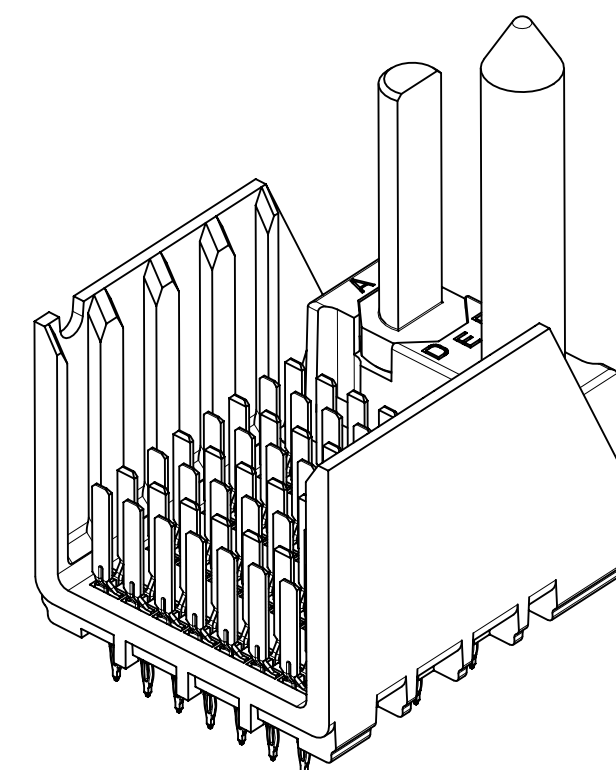
KEY ORIENTATION
 0 = NO KEY
 1 = A
 2 = B
 3 = C
 4 = D
 5 = E
 6 = F
 7 = G
 8 = H

PIN LENGTH (P)
 2 = 3.90 - 30 GOLD
 3 = 4.70 - 30 GOLD
 4 = 5.70 - 30 GOLD
 5 = 4.70 & 5.70 - 30 GOLD STAGGERED
 6 = 3.90 - 10 GOLD
 7 = 4.70 - 10 GOLD
 8 = 5.70 - 10 GOLD
 9 = 4.70 & 5.70 - 10 GOLD STAGGERED

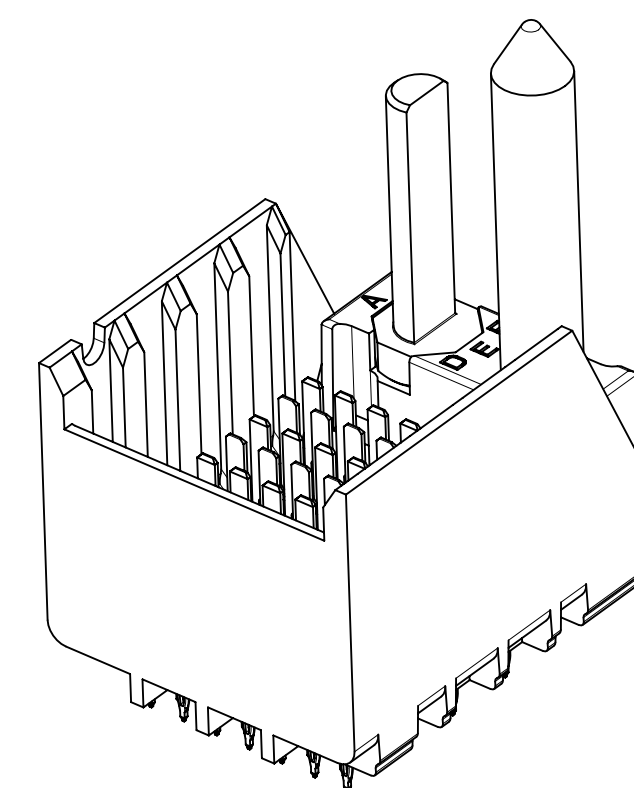
MATERIAL NUMBER	# OF COLUMNS	DIM "A"	DIM "B"
76015-4**	4	21.1	11.10
76015-6**	6	28.5	18.50
76015-1**	10	43.3	33.30

MATERIAL NUMBER	# OF COLUMNS	DIM "A"	DIM "B"
76015-4**	4	22.4	11.10
76015-6**	6	29.8	18.50
76015-1**	10	44.6	33.30

GUIDE RIGHT STYLE



GUIDE RIGHT W/END STYLE

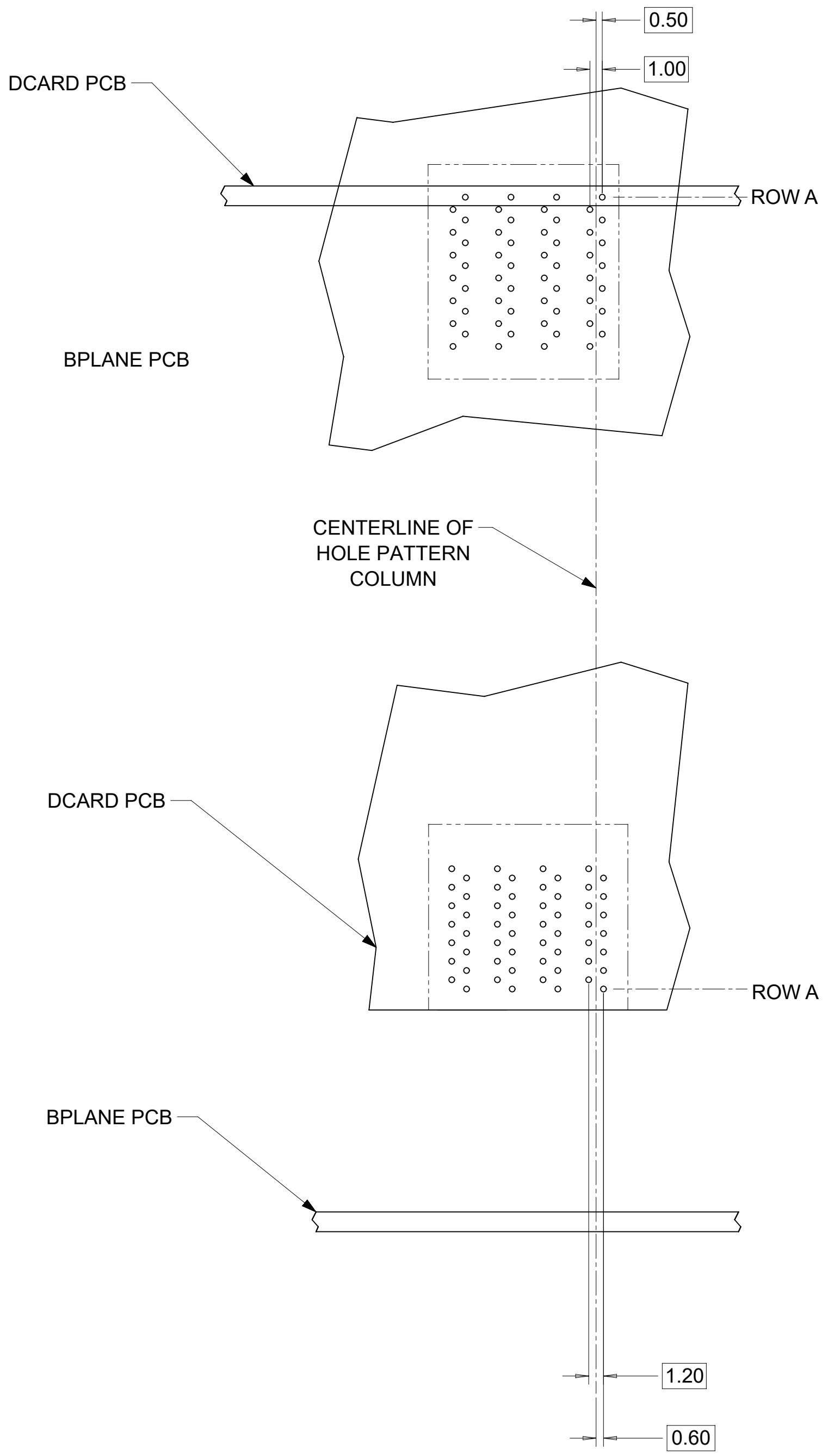


NOTES:

- MATERIALS: HOUSING - LIQUID CRYSTAL POLYMER (LCP)
GLASS-FILLED, UL94V-0
TERMINALS - HIGH PERFORMANCE COPPER ALLOY
- FINISH: 10 MICROINCH MINIMUM GOLD OR 30 MICROINCH MINIMUM GOLD
IN CONTACT AREA. SELECTIVE MATTE TIN ON PCB TAILS,
NICKEL OVERALL.
- REFER TO MOLEX PRODUCT SPECIFICATION PS-75710-999
FOR PERFORMANCE SPECIFICATIONS.
- FOR MIXED CONTACT MATING LENGTHS, CONSULT MOLEX
FOR AVAILABILITY.
- THIS PART CONFORMS TO CLASS B REQUIREMENTS OF
COSMETIC SPEC PS-45499-002.
- PACKAGE PER: PK-70873-802.
- GUIDED PARTS TO BE SHIPPED WITH 2-56 UNC B SCREW P/N 73774-1000.
- FOR GROUNDED GUIDE PINS USE DIA 3.56 +/-0.08 (PTH),
DIA 3.66 (DRILL), AND DIA 6.5 (PAD).
- REFER TO PCB ROUTING GUIDE FOR ANTI-PAD AND ROUTING RECOMMENDATIONS.

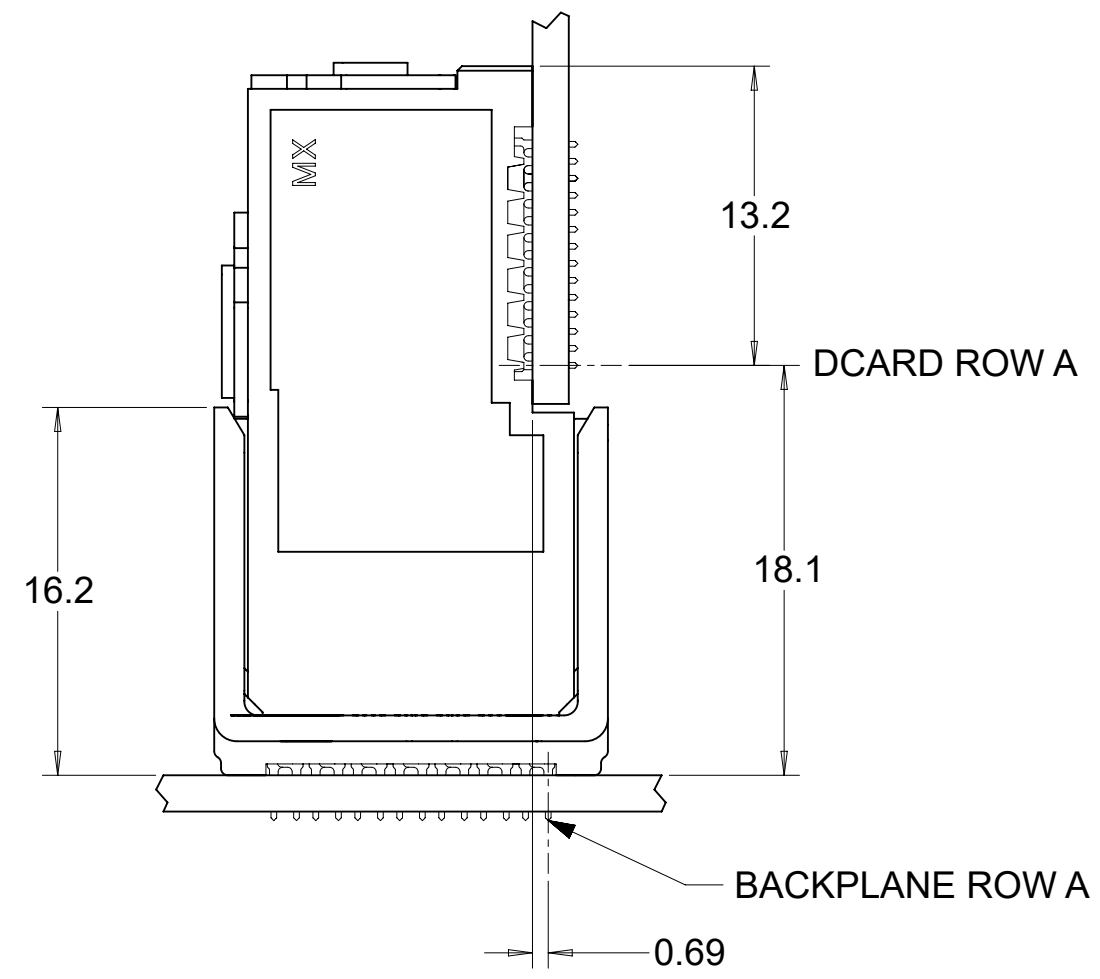
THIS DRAWING CONTAINS INFORMATION THAT IS PROPRIETARY TO MOLEX ELECTRONIC TECHNOLOGIES, LLC AND SHOULD NOT BE USED WITHOUT WRITTEN PERMISSION									
DIMENSION UNITS		SCALE		CURRENT REV DESC: REMASTERED TO NX					
mm		NTS							
GENERAL TOLERANCES (UNLESS SPECIFIED)				EC NO: 671119				I-TRAC BACKPLANE 7 ROW	
ANGULAR TOL ± 0.5°				DRWN: YOGEEB 2021/07/08				GUIDE RIGHT ASSEMBLY SALES DRAWING	
4 PLACES ±				CHK'D: VINODM3 2022/02/03				PRODUCT CUSTOMER DRAWING	
3 PLACES ±				APPR: CWANG25 2022/02/18				DOCUMENT NUMBER	
2 PLACES ± 0.13				INITIAL REVISION:				SD-76015-004	
1 PLACE ± 0.25				DRWN: BPISZCZOR 2007/02/08				DOC TYPE	
0 PLACES ±				APPR: JLAURX 2007/02/09				PSD	
DRAFT WHERE APPLICABLE MUST REMAIN WITHIN DIMENSIONS				THIRD ANGLE PROJECTION		DRAWING		DOC PART	
				C-SIZE		SERIES		REVISION	
				76015		MATERIAL NUMBER		G1	
				SEE TABLE		CUSTOMER		SHEET NUMBER	
				GENERAL MARKET		2 OF 4			

DOCUMENT STATUS	P1	RELEASE DATE	2022/02/18	05:04:13
-----------------	----	--------------	------------	----------

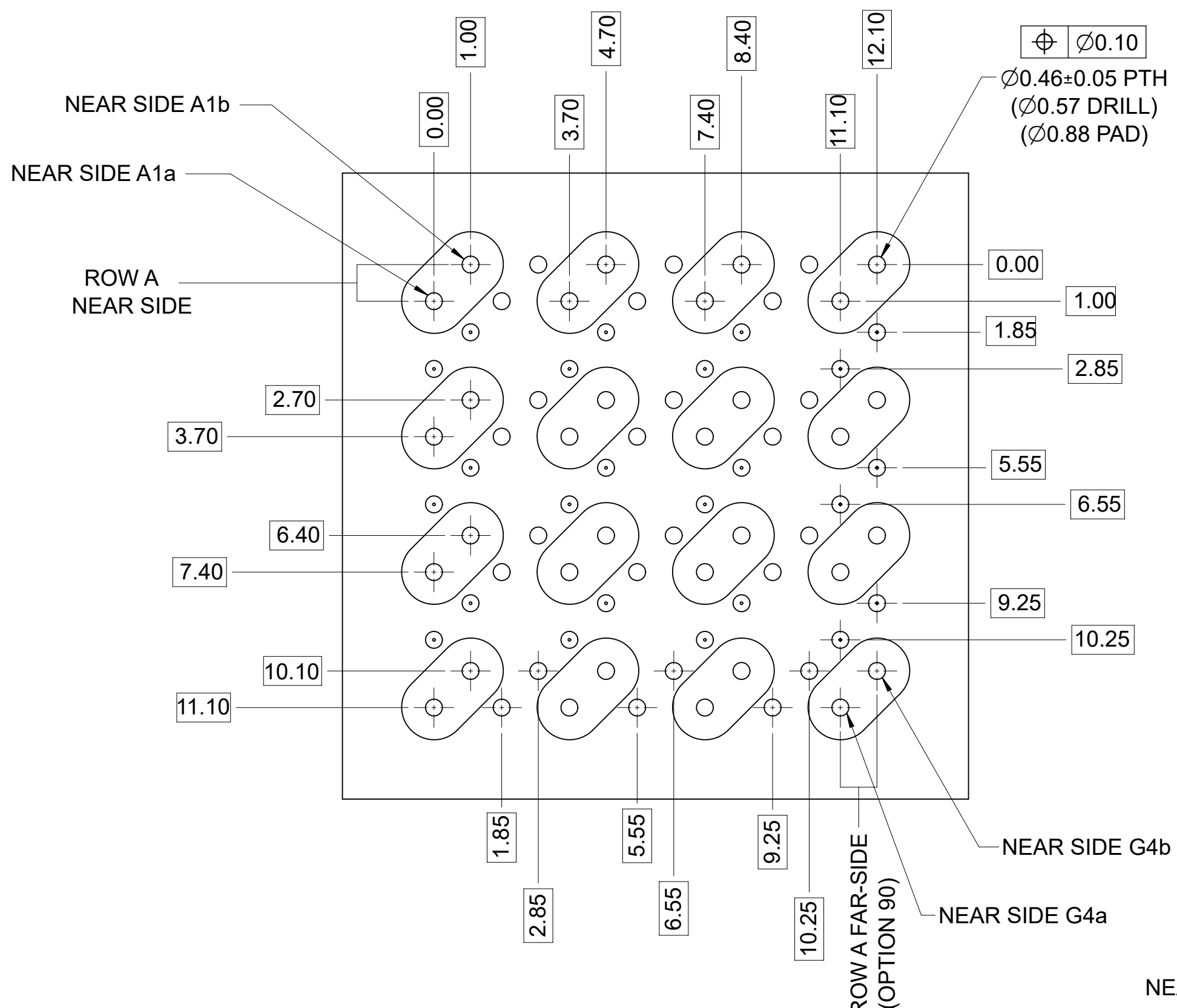


7 ROW I-TRAC BOARD RELATIONSHIPS

SCALE 2:1



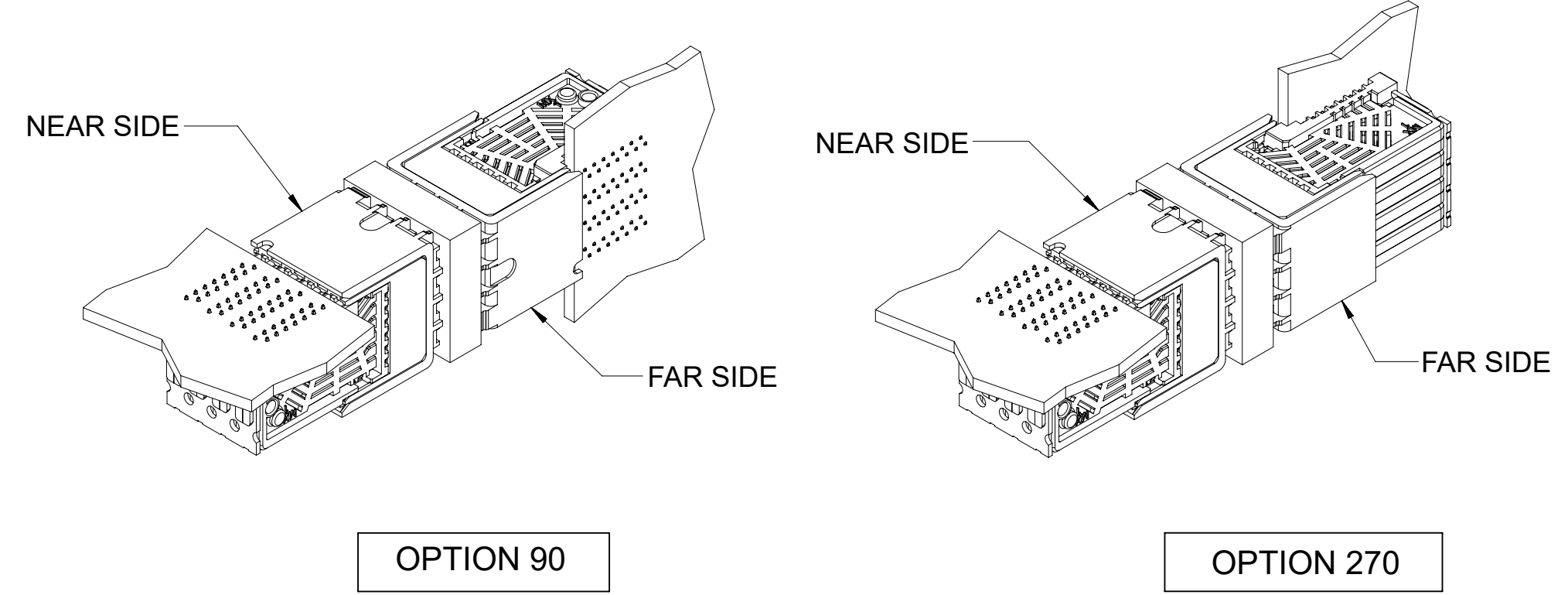
THIS DRAWING CONTAINS INFORMATION THAT IS PROPRIETARY TO MOLEX ELECTRONIC TECHNOLOGIES, LLC AND SHOULD NOT BE USED WITHOUT WRITTEN PERMISSION													
DIMENSION UNITS	SCALE	CURRENT REV DESC: REMASTERED TO NX				molex							
mm	NTS					I-TRAC BACKPLANE 7 ROW GUIDE RIGHT ASSEMBLY SALES DRAWING							
GENERAL TOLERANCES (UNLESS SPECIFIED)						PRODUCT CUSTOMER DRAWING							
ANGULAR TOL	± 0.5°	EC NO: 671119				DOCUMENT NUMBER							
4 PLACES	±	DRWN: YOGEEB											
3 PLACES	±	CHK'D: VINODM3				SD-76015-004							
2 PLACES	± 0.13	APPR: CWANG25											
1 PLACE	± 0.25	INITIAL REVISION:				DOC TYPE DOC PART REVISION							
0 PLACES	±	DRWN: BPISZCZOR											
DRAFT WHERE APPLICABLE MUST REMAIN WITHIN DIMENSIONS		THIRD ANGLE PROJECTION		DRAWING		SERIES		MATERIAL NUMBER		CUSTOMER		SHEET NUMBER	
				C-SIZE		76015		SEE TABLE		GENERAL MARKET		3 OF 4	



ORTHO PIN MAPPING			
OPTION 90 (NEAR SIDE - FAR SIDE)			
A1b-G4b	A2b-E4b	A3b-C4b	A4b-A4b
A1a-G4a	A2a-E4a	A3a-C4a	A4a-A4a
C1b-G3b	C2b-E3b	C3b-C3b	C4b-A3b
C1a-G3a	C2a-E3a	C3a-C3a	C4a-A3a
E1b-G2b	E2b-E2b	E3b-C2b	E4b-A2b
E1a-G2a	E2a-E2a	E3a-C2a	E4a-A2a
G1b-G1b	G2b-E1b	G3b-C1b	G4b-A1b
G1a-G1a	G2a-E1a	G3a-C1a	G4a-A1a

ORTHO PIN MAPPING			
OPTION 270 (NEAR SIDE - FAR SIDE)			
A1b-A1a	A2b-C1a	A3b-E1a	A4b-G1a
A1a-A1b	A2a-C1b	A3a-E1b	A4a-G1b
C1b-A2a	C2b-C2a	C3b-E2a	C4b-G2a
C1a-A2b	C2a-C2b	C3a-E2b	C4a-G2b
E1b-A3a	E2b-C3a	E3b-E3a	E4b-G3a
E1a-A3b	E2a-C3b	E3a-E3b	E4a-G3b
G1b-A4a	G2b-C4a	G3b-E4a	G4b-G4a
G1a-A4b	G2a-C4b	G3a-E4b	G4a-G4b

Orthogonal PCB Layout



- NOTES:
- SIGNAL PAIRS (SHARED VIAS)
 - NEAR SIDE GROUNDS
 - FAR SIDE GROUNDS

THIS DRAWING CONTAINS INFORMATION THAT IS PROPRIETARY TO MOLEX ELECTRONIC TECHNOLOGIES, LLC AND SHOULD NOT BE USED WITHOUT WRITTEN PERMISSION									
DIMENSION UNITS		SCALE		CURRENT REV DESC: REMASTERED TO NX					
mm		NTS							
GENERAL TOLERANCES (UNLESS SPECIFIED)				EC NO: 671119					
ANGULAR TOL ± 0.5°				4 PLACES ±		DRWN: YOGEEB		2021/07/08	
				3 PLACES ±		CHK'D: VINODM3		2022/02/03	
				2 PLACES ± 0.13		APPR: CWANG25		2022/02/18	
				1 PLACE ± 0.25		INITIAL REVISION:			
				0 PLACES ±		DRWN: BPISZCZOR		2007/02/08	
						APPR: JLAURX		2007/02/09	
DRAFT WHERE APPLICABLE MUST REMAIN WITHIN DIMENSIONS				THIRD ANGLE PROJECTION		DRAWING		SERIES	
						C-SIZE		76015	
DOCUMENT STATUS				P1		RELEASE DATE		2022/02/18 05:04:13	
DOCUMENT NUMBER				SD-76015-004		DOC TYPE		PSD	
CUSTOMER				GENERAL MARKET		DOC PART		001	
SHEET NUMBER				4 OF 4		REVISION		G1	