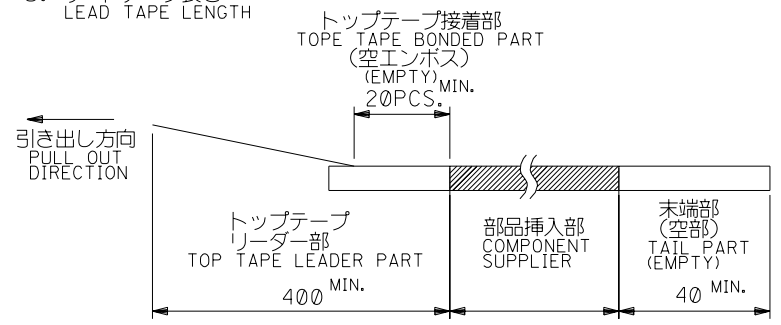
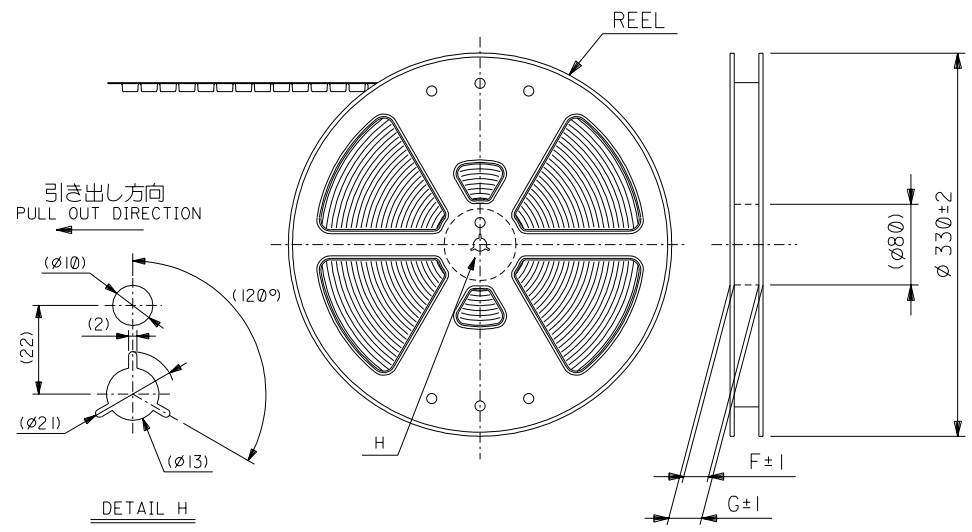


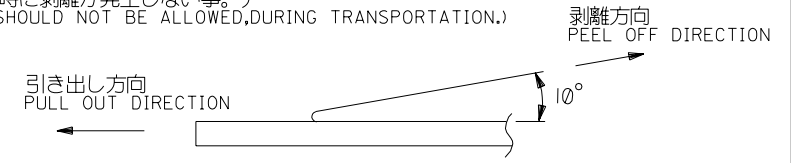
注)
NOTES

- 製品番号 54363-***71 詳細寸法については、製品単体図面を参照下さい。
IN THE PACKAGE PART NUMBER 54363-***71 DETAILED DIMENSIONS, SEE SALES DRAWING FOR CONNECTOR.
- 梱包数量：2000個/リール
NUMBER OF CONNECTORS:2000 PCS/REEL.
- リードテープ長さ
LEAD TAPE LENGTH



- トップテープの剥離強度：(剥離方向は下図参照)
PEELING OFF FORCE OF TOP TAPE (PELLING DIRECTION AS SHOWN IN FOLLOWING FIGURE.)
0. 1~1. 3N {10~130gf}

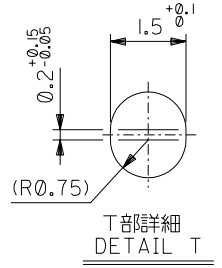
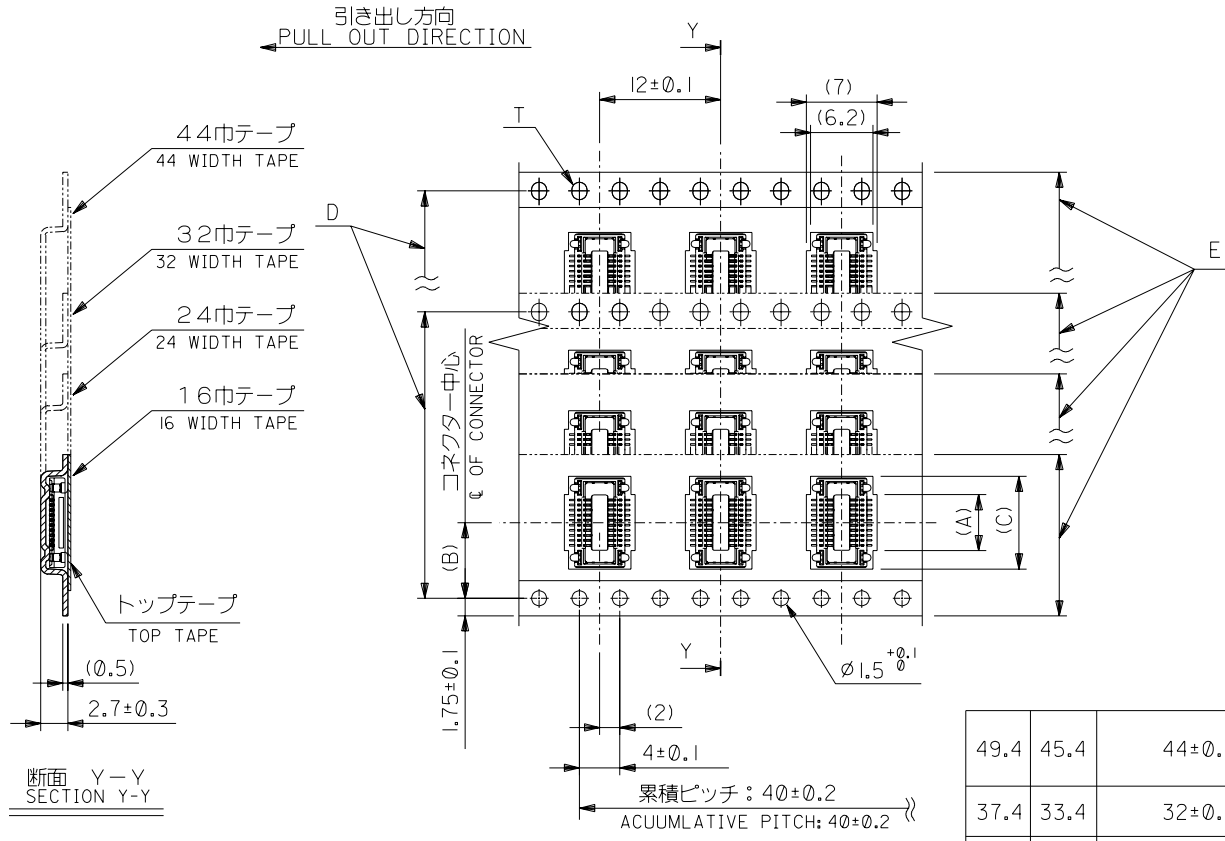
尚、本規格値は、出荷時に適用。
THIS REQUIREMENT SHOULD BE APPLIED AT SHIPMENT.
(但し、輸送時に剥離が発生しない事。)
(PEEL OFF SHOULD NOT BE ALLOWED,DURING TRANSPORTATION.)



- 材料
MATERIAL
キャリアテープ：ポリプロピレン (PP)
CARRIER TAPE:POLYPROPYLENE(PP)
トップテープ：PET, PE, PEF
TOP TAPE:PET,PE,PEF
リール：ポリスチレン
REEL : POLYSTYRENE
- 本製品は 54363-***38 の鉛フリー品である。
THIS PRODUCT IS LEAD FREE OF 54363-***38

DO NOT SCALE DRAWING

EC NO. DRWN: CHK: APPR:		EC NO. DRWN: CHK: APPR:		EC NO. DRWN: CHK: APPR:		REVISED ECNO. J2004-2953 DRWN:H.SHIMABUKURO CHK: K.TOJO APPR:M.SASAO		RELEASED ECNO. J2004-2469 DRWN:H.SHIMABUKURO CHK: K.TOJO APPR:M.SASAO		MATERIAL 材料 注記参照 SEE NOTES		GENERAL TOLERANCES: (UNLESS SPECIFIED) 一般公差		SCALE NONE DESIGN UNITS <input checked="" type="checkbox"/> mm <input type="checkbox"/> INCH		THIRD ANGLE PROJECTION <input type="checkbox"/> mm <input type="checkbox"/> INCH <input checked="" type="checkbox"/> mm ONLY		54363-***48 MODEL NO.			
A		0		0		0		0		FINISH 仕上げ 注記参照 SEE NOTES		10 UNDER 未満 ±0.2		DRAWN BY & DATE H.SHIMABUKURO '04/2/17		TITLE: 54363-***71 -LEAD FREE- TAPING PACKAGE (DIA 330mm REEL)		SHT REV			
A		0		0		0		0		WIRE RANGE 適用層線範囲 #		10 OVER 30 UNDER 以上 未満 ±0.25		CHECKED BY & DATE K.TOJO '04/2/17		APPROVED BY & DATE M.SASAO '04/2/17		REVISE ON CAD ONLY			
A		0		0		0		0		INS. RANGE 被覆外径 #		30 OVER 以上 ±0.3		ANGLE 角度 ±3°		MATERIAL NO. SEE CHART		DRAWING NO. SD-54363-042		SHEET NO. 1 OF 2	
THIS DRAWING CONTAINS INFORMATION THAT IS PROPRIETARY TO MOLEX INCORPORATED AND SHOULD NOT BE USED WITHOUT WRITTEN PERMISSION.																		SIZE B			



49.4	45.4	44±0.3	40.4	29.2	20.2	25.55	54363-0048	100	○
				26.7		23.05	54363-9048	90	—
				24.2		20.55	54363-8048	80	○
37.4	33.4	32±0.3	28.4	21.7	14.2	18.05	54363-7048	70	○
				19.2		15.55	54363-6048	60	○
				16.7		13.05	54363-5048	50	○
29.4	25.4	24±0.3	—	14.2	11.5	10.55	54363-4048	40	○
				11.7		8.05	54363-3048	30	○
21.4	17.4	16±0.3	—	9.2	7.5	5.55	54363-2048	20	○
G	F	E キャリアテープ幅 CARRIER TAPE WIDTH	D	(C)	(B)	(A)	製品番号 MATERIAL NO.	極数 CIRCUITS AVAILABLE	量産対応 AVAILABLE

54363-***48 MODEL NO.

EC NO. DRWN: CHK: APPR:	EC NO. DRWN: CHK: APPR:	EC NO. DRWN: CHK: APPR:	REVISED ECNO. J2004-2953 DRWN: H.SHIMABUKURO CHK: K.TOJO APPR: M.SASAO	RELEASED ECNO. J2004-2469 DRWN: H.SHIMABUKURO CHK: K.TOJO APPR: M.SASAO	DESCRIPTION	MATERIAL 材料	GENERAL TOLERANCES: (UNLESS SPECIFIED) 一般公差	SCALE	DESIGN UNITS	THIRD ANGLE PROJECTION	DIMENSIONS:	SHT	REV
			A	0		#	10 UNDER 未滿	NONE	mm <input checked="" type="checkbox"/> mm <input type="checkbox"/> INCH <input type="checkbox"/>	<input type="checkbox"/> mm <input type="checkbox"/> INCH <input type="checkbox"/> mm <input checked="" type="checkbox"/> mm <input type="checkbox"/> ONLY			
							±0.2		DRAWN BY & DATE H.SHIMABUKURO '04/2/17	TITLE:			
							10 OVER 30 UNDER 以上 未滿		CHECKED BY & DATE K.TOJO '04/2/17	54363-***71 -LEAD FREE- TAPING PACKAGE (DIA 330mm REEL)			
							±0.25		APPROVED BY & DATE M.SASAO '04/2/17				
							30 OVER 以上		CAD FILENAME 54363042.S02	MATERIAL NO. SEE CHART	DRAWING NO. SD-54363-042	SHEET NO. 2	
							±0.3		THIS DRAWING CONTAINS INFORMATION THAT IS PROPRIETARY TO MOLEX INCORPORATED AND SHOULD NOT BE USED WITHOUT WRITTEN PERMISSION.				
							ANGLE 角度					SIZE B	