

CPA TO BE INSTALLED IN PRE-LOCK POSITION AS SHOWN IN BOTH VIEWS. SEE NOTE #5

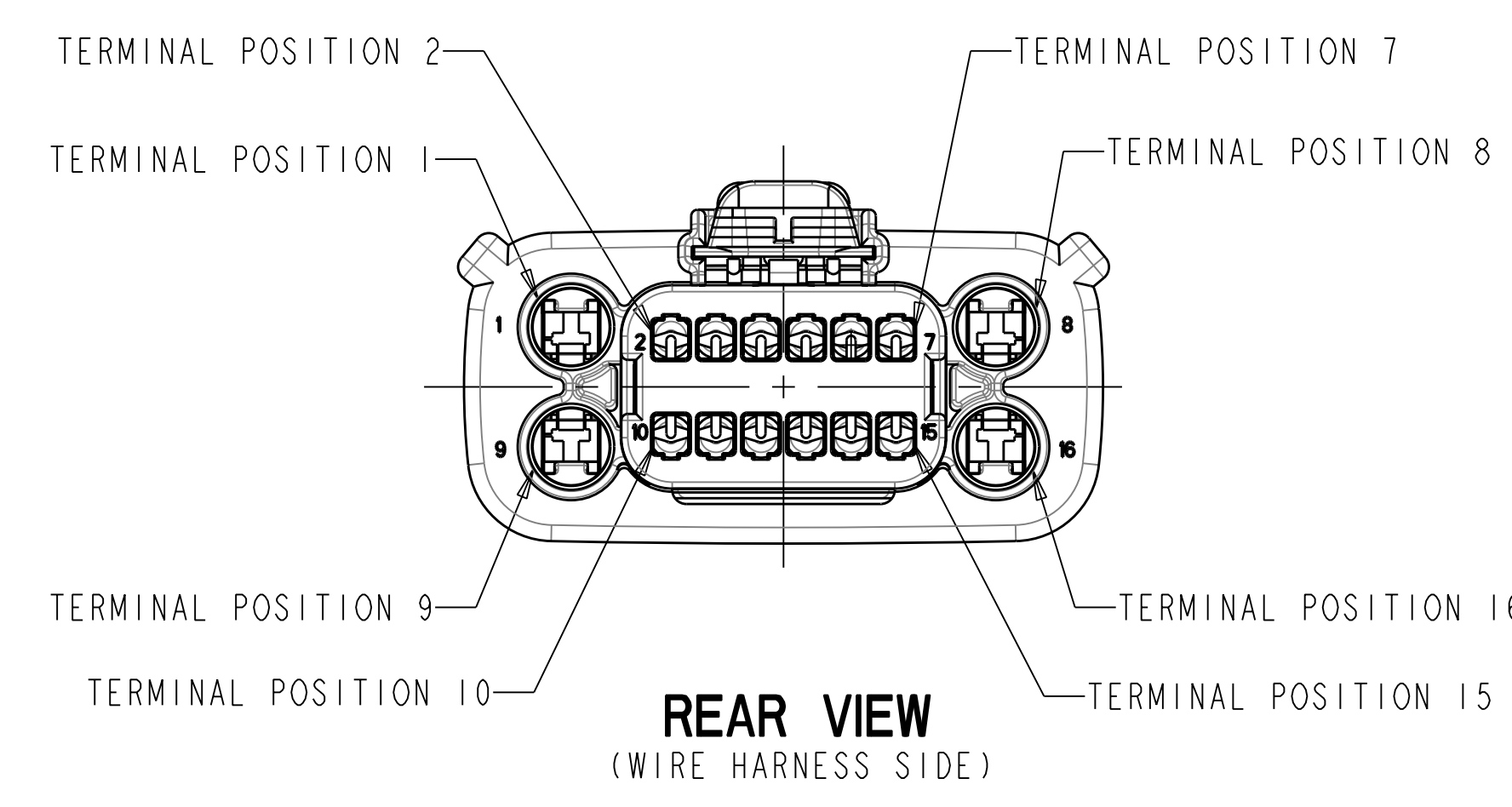
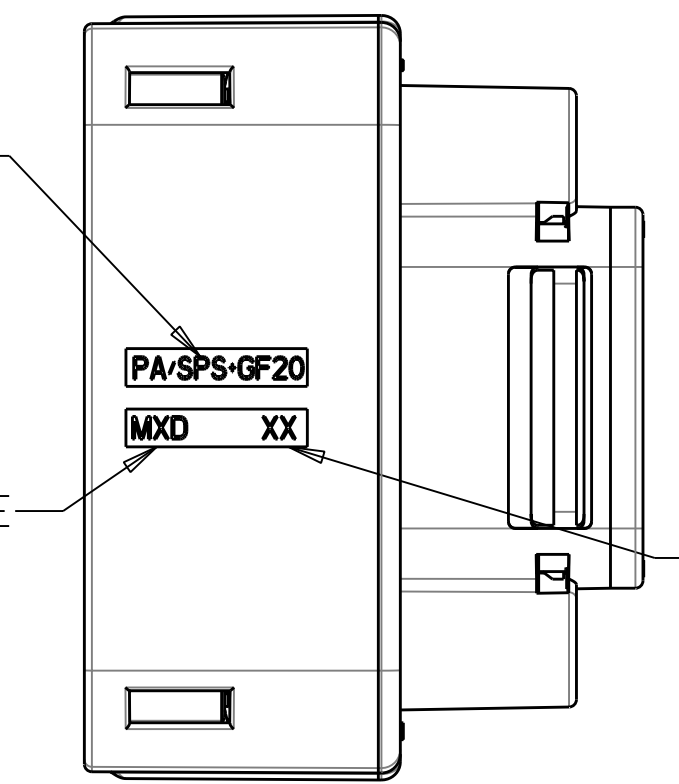
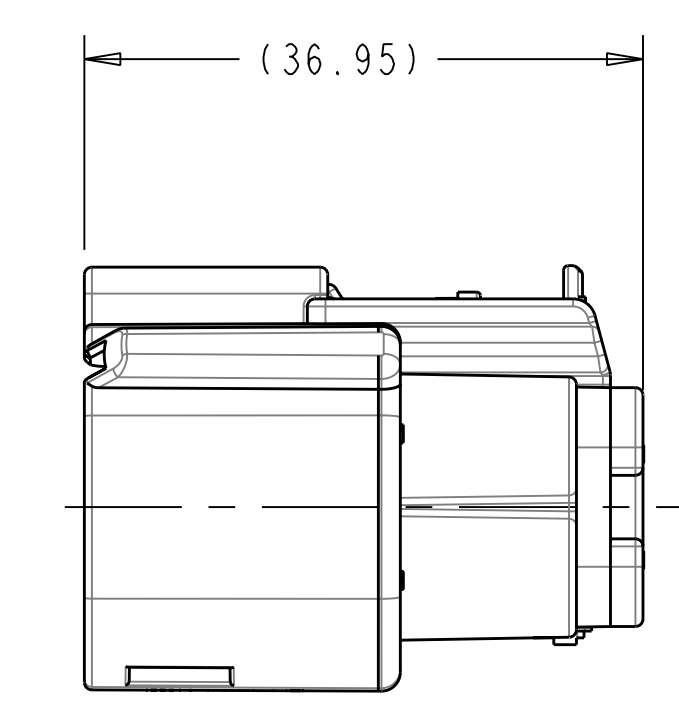
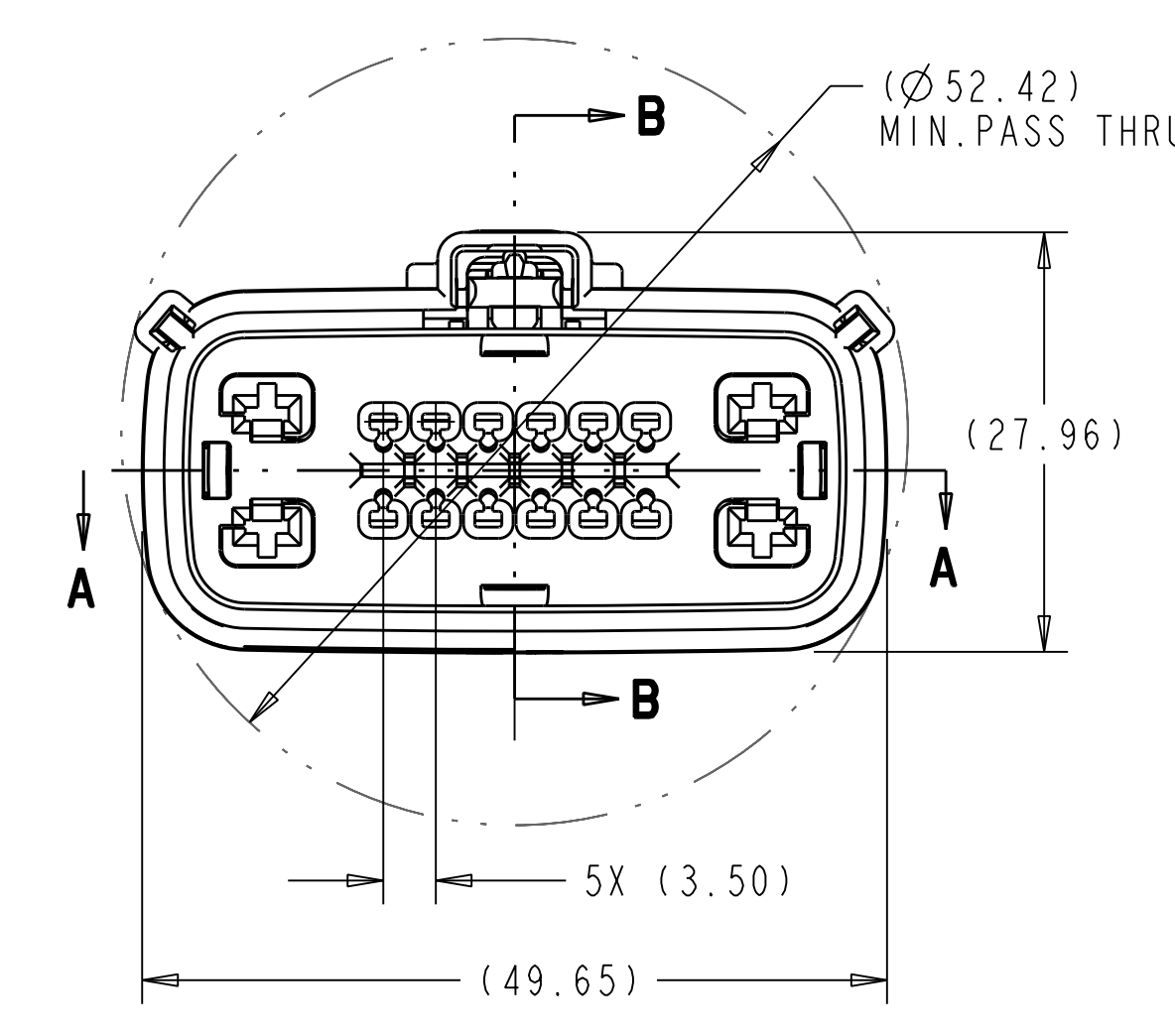
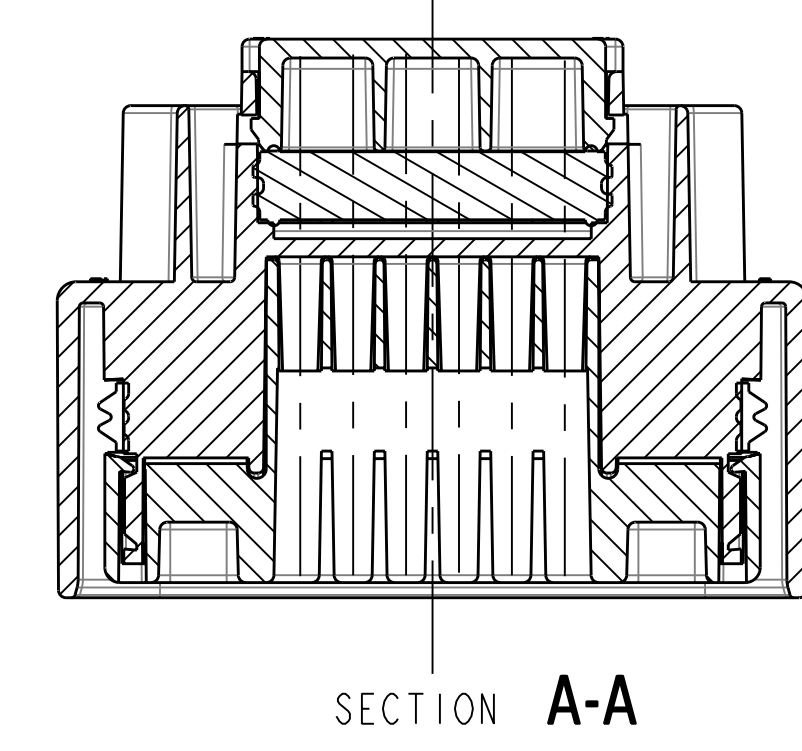
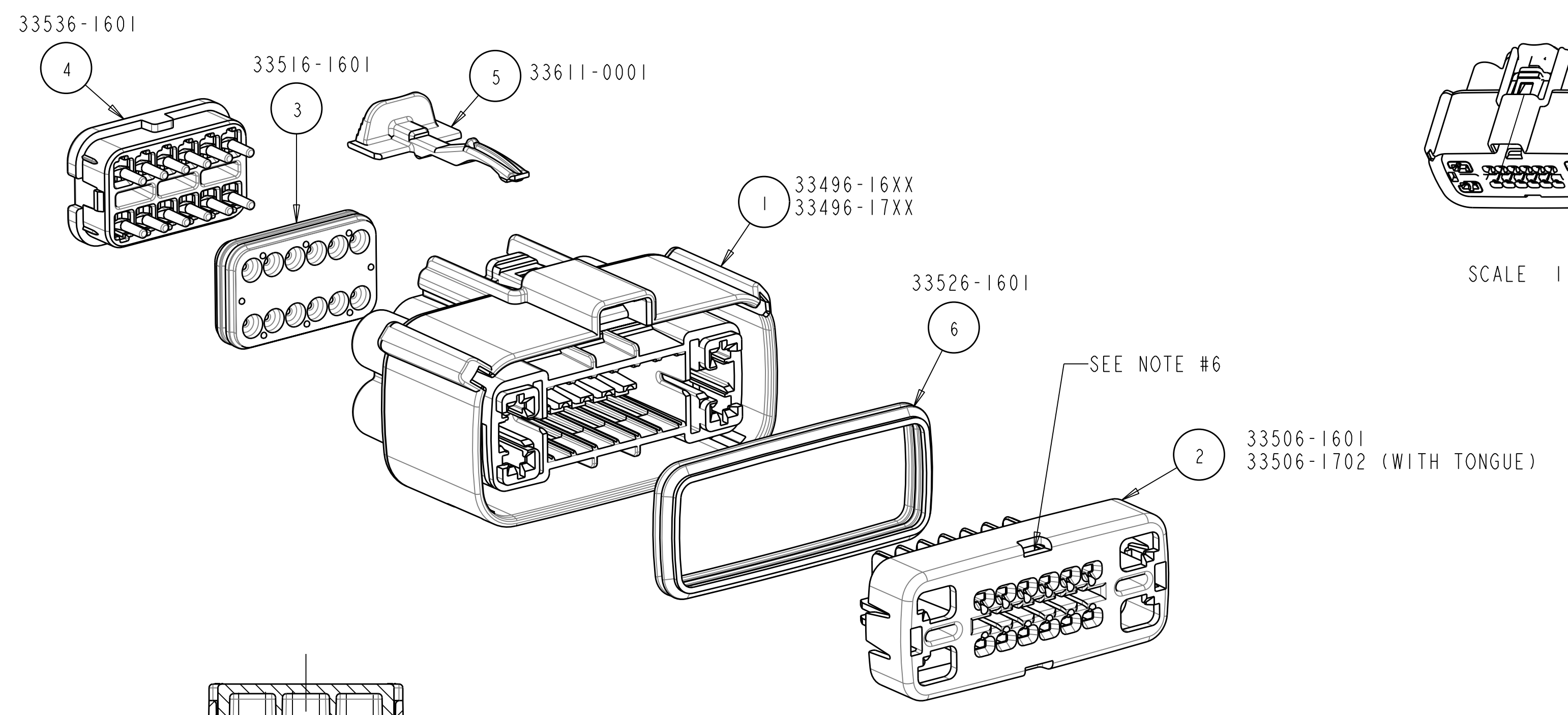
CPA TO BE INSTALLED IN PRE-LOCK POSITION AS SHOWN IN BOTH VIEWS. SEE NOTE #5

SECTION B-B
(RECEPTACLE INSERT WITH SHORTING BAR SHOWN IN PRE-LOCK)
SEE NOTE #2

SECTION B-B
(RECEPTACLE INSERT WITH SHORTING BAR SHOWN IN FULL-LOCK)
SEE NOTE #2

SECTION B-B
(RECEPTACLE INSERT SHOWN IN PRE-LOCK POSITION)
SEE NOTE #2

SECTION B-B
(RECEPTACLE INSERT SHOWN IN FULL-LOCK POSITION)
SEE NOTE #2



- NOTES: UNLESS OTHERWISE SPECIFIED
- DESIGNED TO MATE WITH BLADE HOUSING ASSEMBLY SPECIFIED IN CHARTED DRAWING E-33486-161 OR DEVICE CONNECTION AS SPECIFIED IN DRAWING E-33586-161. SEE CHART
 - ASSEMBLY SHIPPED WITH RECEPTACLE INSERT IN PRE-LOCK POSITION (SEE SECTION B-B PRE-LOCK). UPON FULL TERMINAL ASSEMBLY, EACH RECEPTACLE INSERT MUST BE SNAPPED INTO ITS FINAL-LOCK POSITION.
 - FOR 1.5mm RECEPTACLE TERMINALS TO BE USED WITH THIS ASSEMBLY, SEE MOLEX DRAWING E-33012-001. FOR FORD 2.8mm FEMALE RECEPTACLE SEE CHART.
 - SYSTEM TO BE USED WITH WIRE WITHIN Ø RANGE OF 1.2mm TO 2.4mm.
 - OPTIONAL CPA SHOWN IN ALL VIEWS. SEE TABLES FOR SPECIFIC ASSEMBLY OPTION AND NUMBER. CPA MUST BE INSERTED TO THE PRE-LOCK POSITION, AS SHOWN IN SECTION B-B. WHEN CORRECTLY SEATED THE CPA DOES NOT MOVE, FREELY.
 - SERVICE WITH SCREWDRIVER.
 - REFER TO SHEET # 2 OF THIS DRAWING FOR ALL PART NUMBER CONFIGURATION OPTIONS.
 - REFER TO ASSEMBLY DRAWING E-33476-181 FOR RECEPTACLE WITH CLIP SLOT OPTIONS.
 - a. ENGAGEMENT FORCE - NO TERMINALS (PRE TO FINAL): 15N MIN.
b. ENGAGEMENT FORCE - WITH TERMINALS (PRE TO FINAL): 60N MAX.
c. DISENGAGEMENT FORCE - WITH TERMINALS (FINAL TO PRE): 18N MIN. 60N MAX.
d. PARTIALLY INSTALLED TERMINAL DETECTION - 80N MIN OR 40N GREATER THAN (b) WHICHEVER IS GREATER.
e. REMOVAL FORCE - WITH TERMINALS (FINAL TO OUT OF CONNECTOR): 25N MIN.

TYCO 2.8mm CABLE SEAL TERMINAL	
FORD P/N	GRIP SIZE
IFIT-14474-KA	12
IFIT-14474-JA	14
IFIT-14474-HA	16
IFIT-14474-GA	18
IFIT-14474-FA	20
IFIT-14474-EA	22

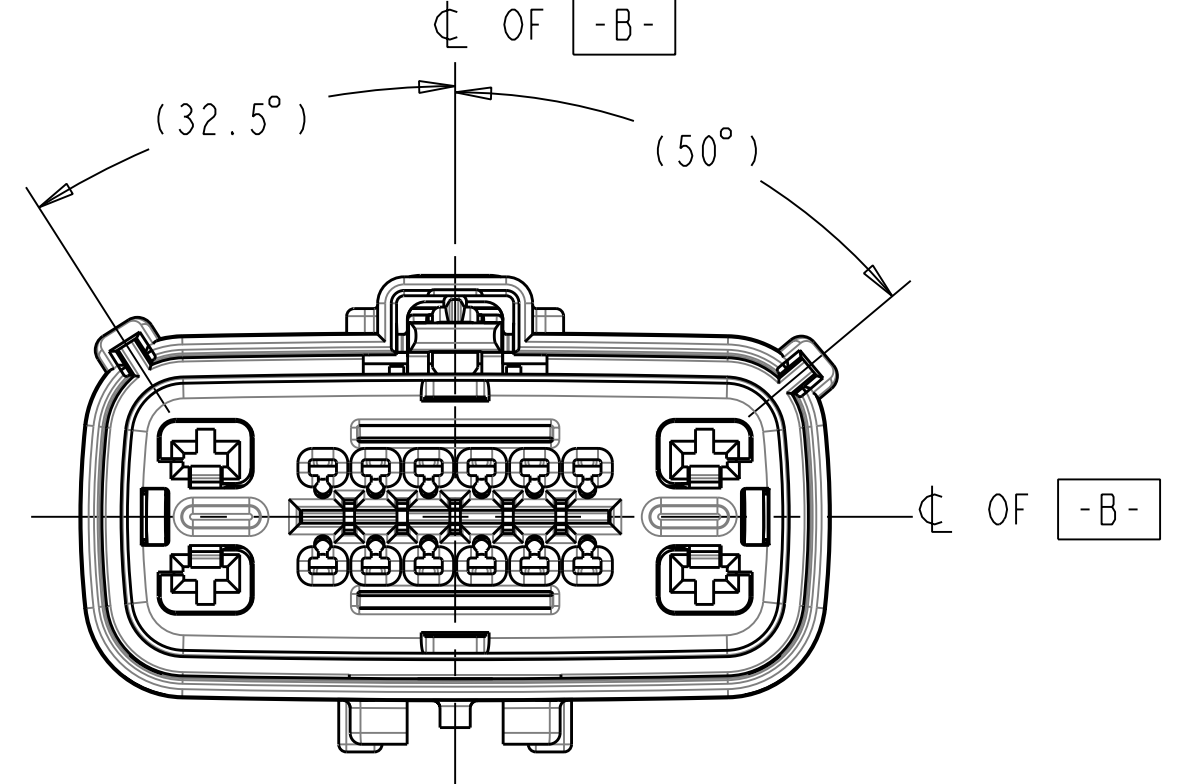
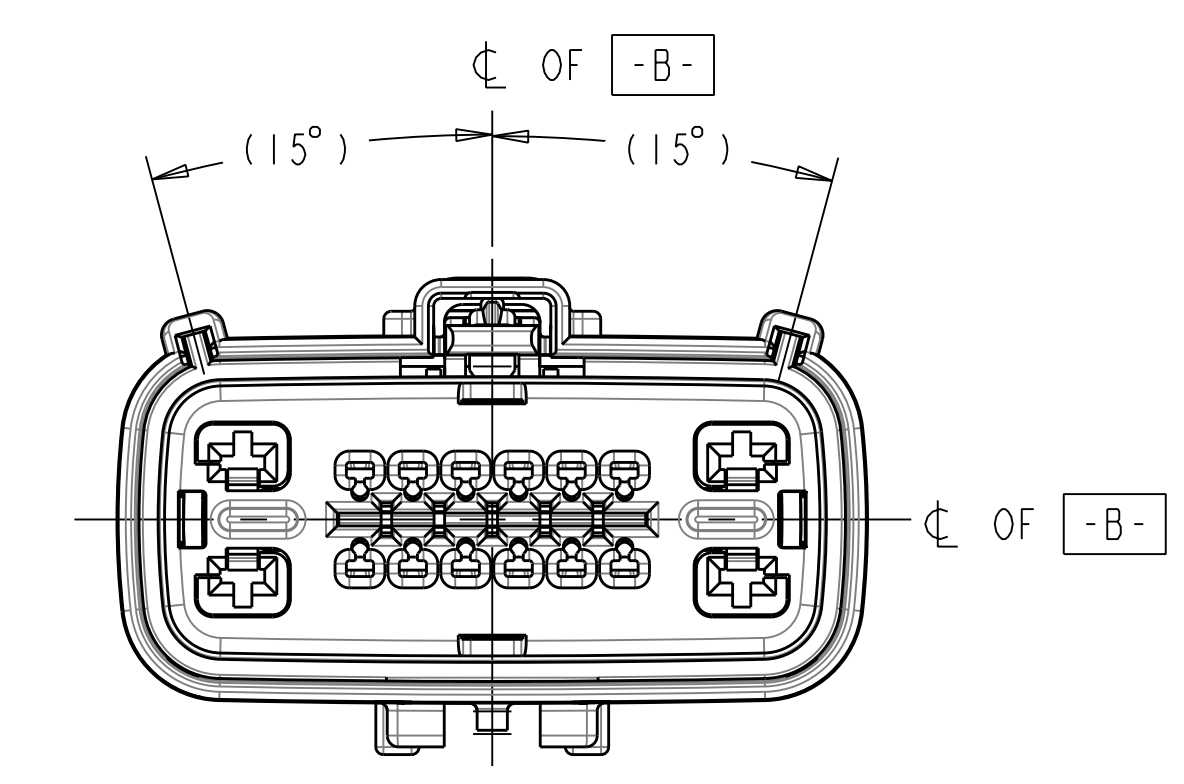
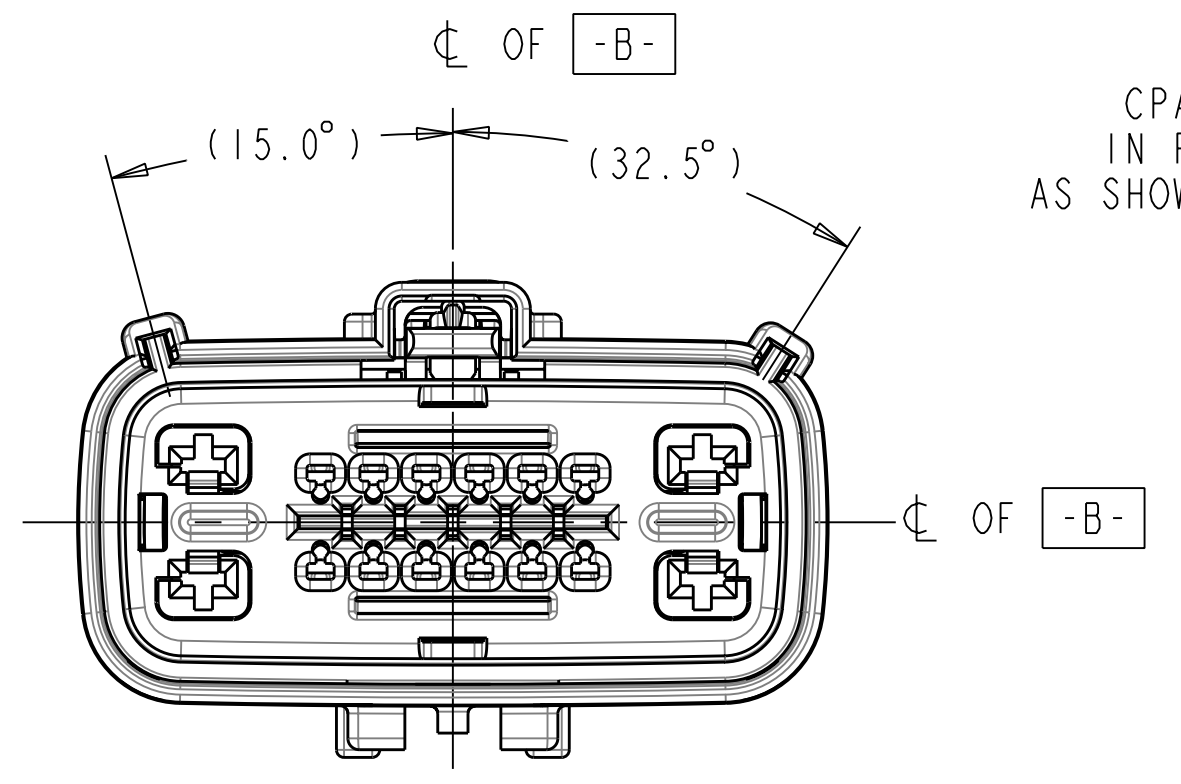
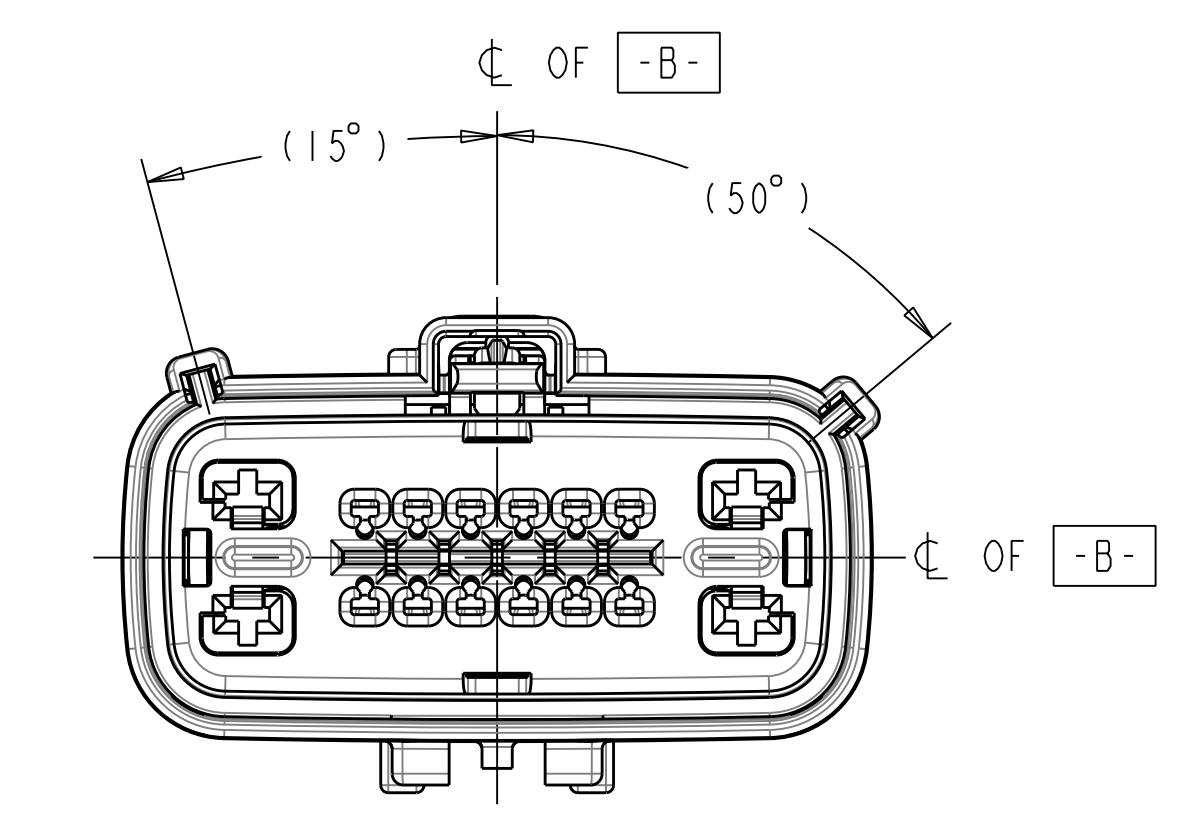
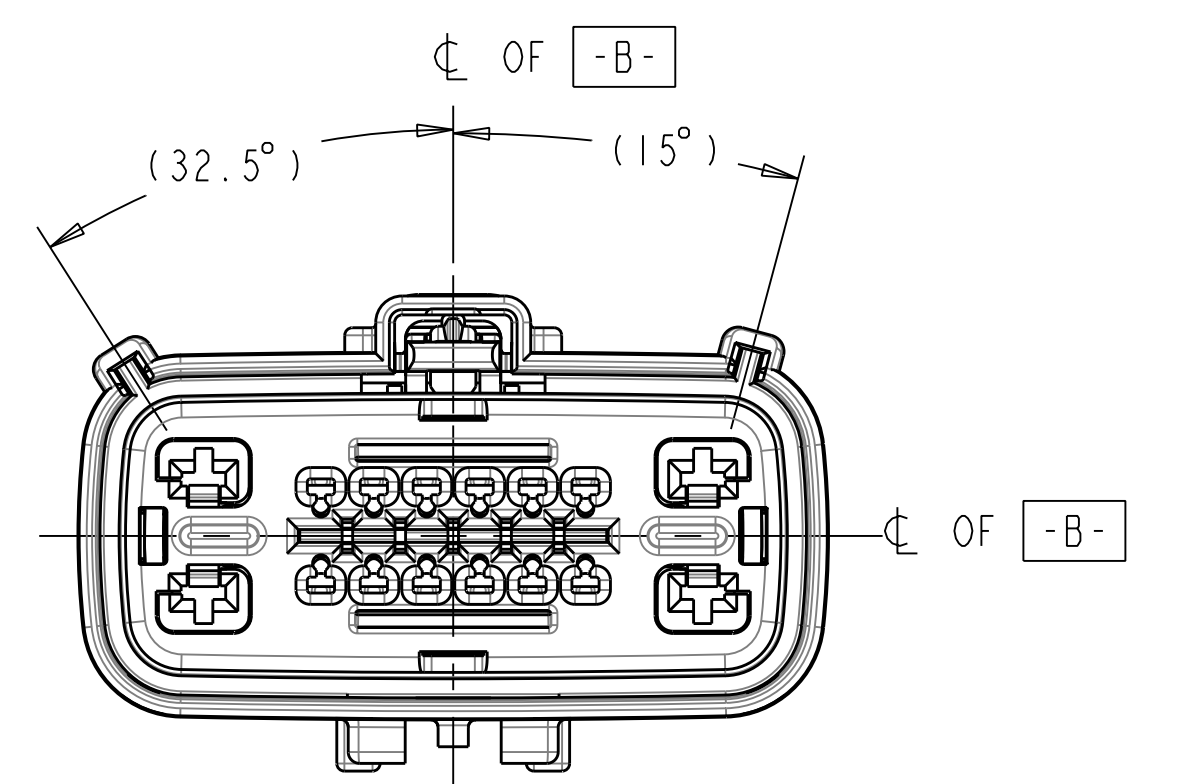
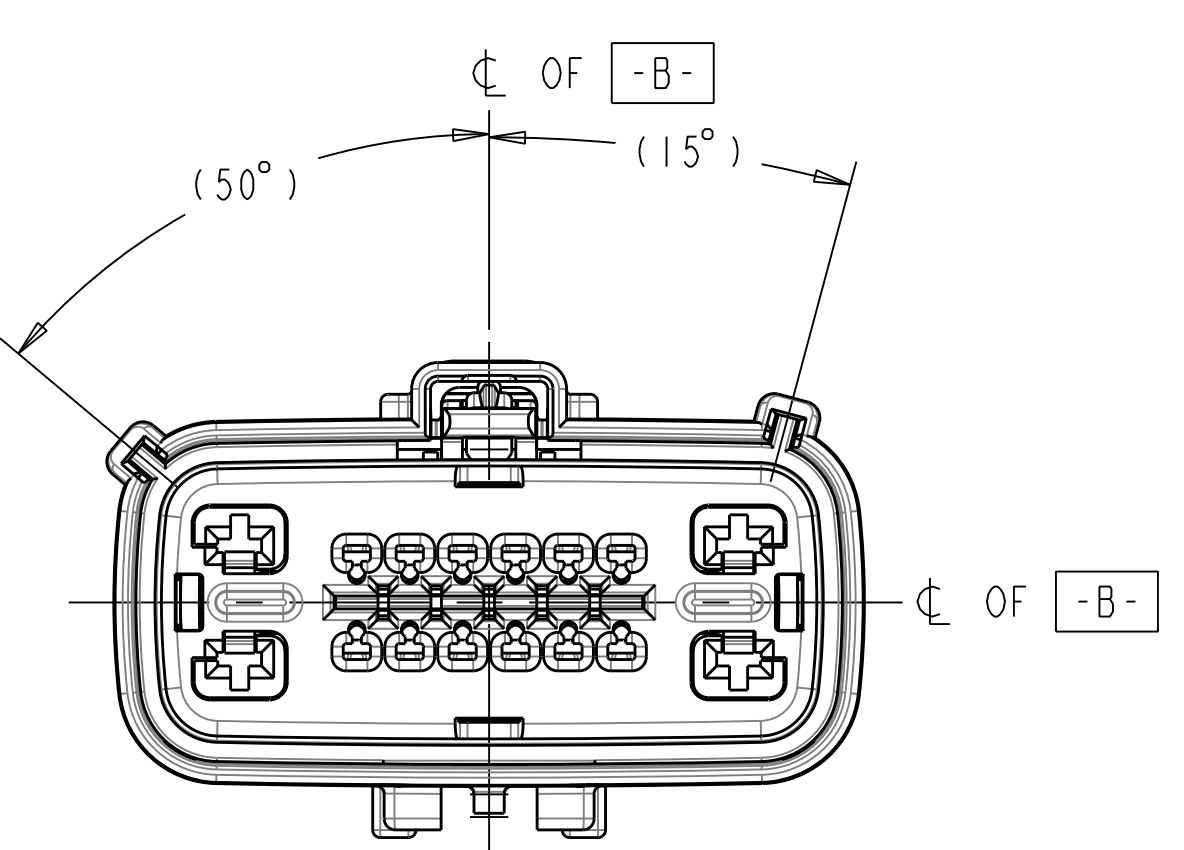
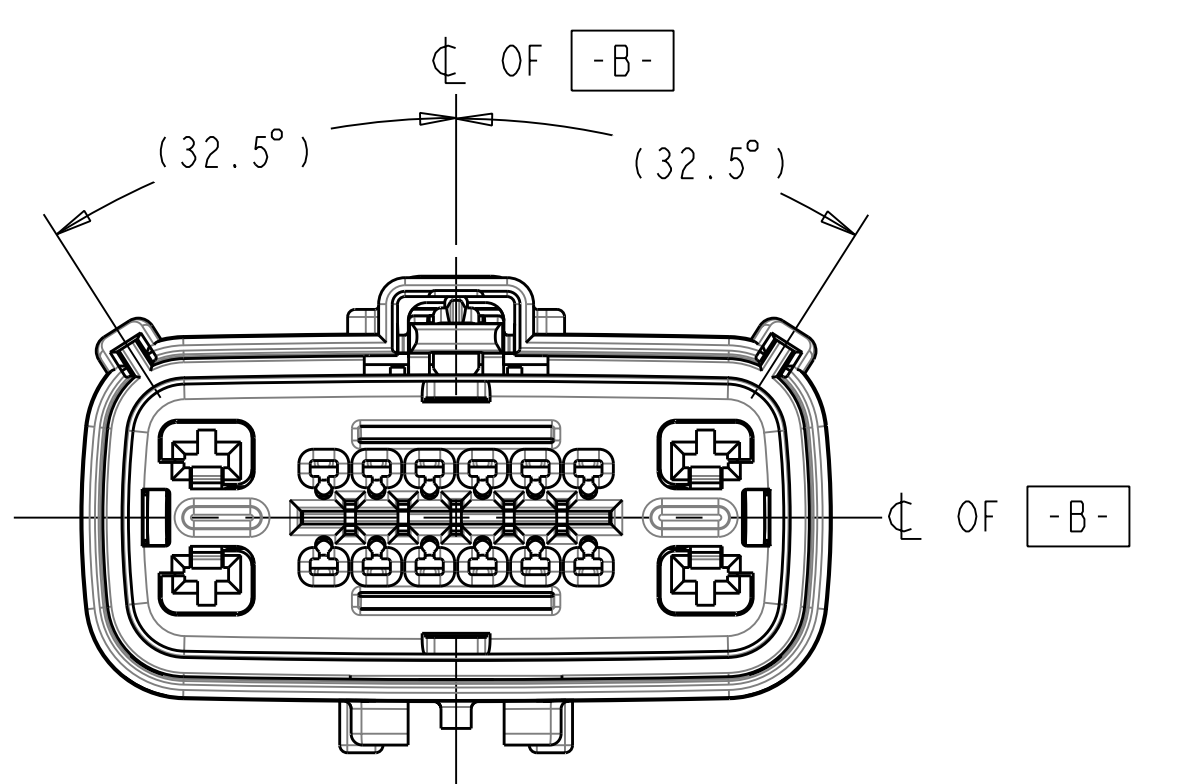
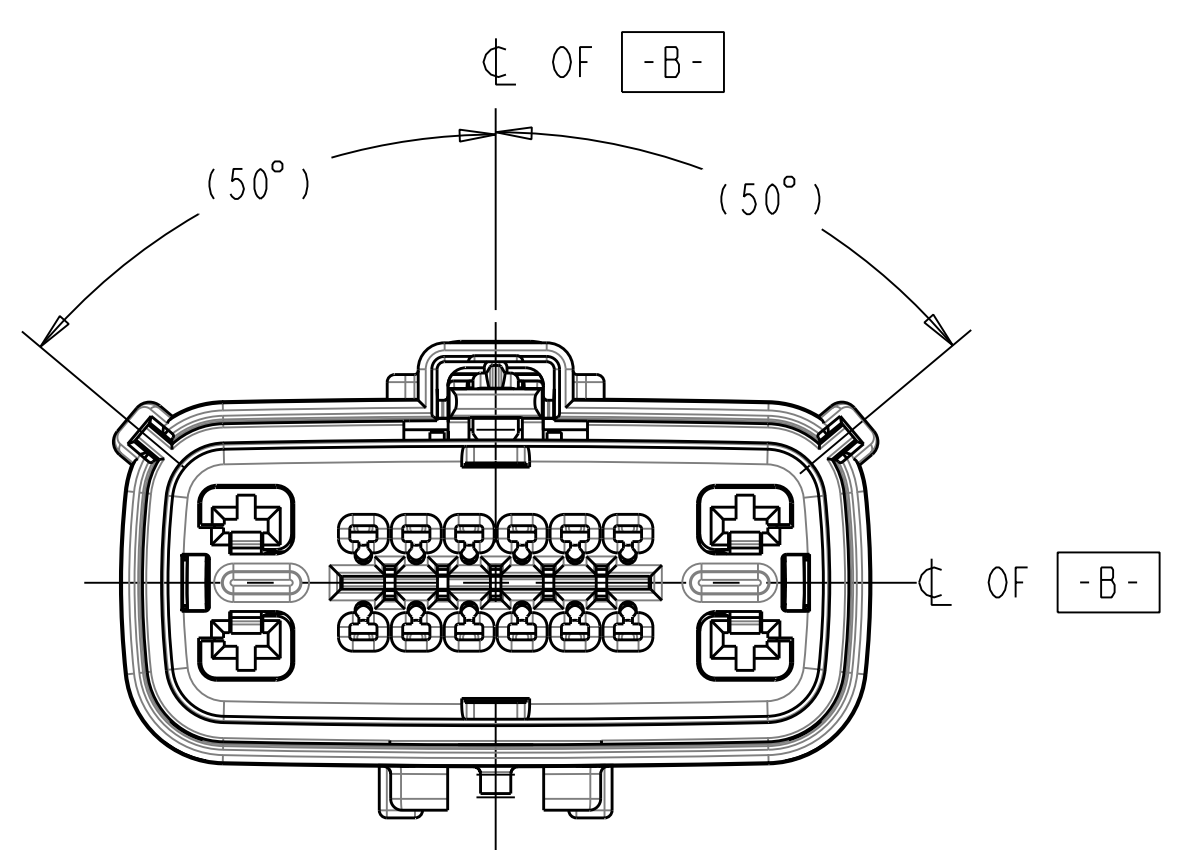
EC NO: UA02005-0053	QUALITY SYMBOLS
DRWN: D.GRIFFITHS 08-11-04	GENERAL TOLERANCES (UNLESS SPECIFIED)
CHK: D.GRIFFITHS 08-11-04	mm
APPR: D.GRIFFITHS 08-11-04	INCH
	4 PLACES ± .05 ± .05
	3 PLACES ± .05 ± .05
	2 PLACES ± 0.10 ± .05
	1 PLACE ± 0.3 ± .05
	ANGULAR ± 3°

SCALE 2:1	DESIGN UNITS mm
DIMENSION STYLE mm	
DRAWN BY J. WESLEY	DATE 06-16-02
CHECKED BY D.GRIFFITHS	DATE 07-09-02
APPROVED BY F.HOLUB	DATE 07-09-02

THIRD ANGLE PROJECTION	REVISE ON CAD ONLY
TITLE 1.5mm/2.8mm HYBRID CONNECTOR, RCPT 2 ROW HOUSING, SEALED, 16 WAY	
MOLEX MOLEX INCORPORATED	
MATERIAL NO. -	DOCUMENT NO. SD-33476-161
SHEET NO. 1 OF 2	

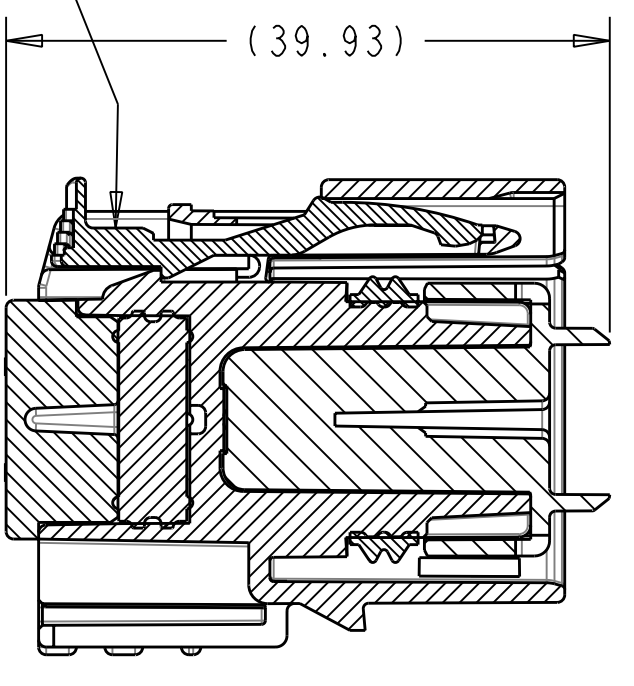
THIS DRAWING CONTAINS INFORMATION THAT IS PROPRIETARY TO MOLEX INCORPORATED AND SHOULD NOT BE USED WITHOUT WRITTEN PERMISSION

T	ASSEMBLY PART NUMBER	HOUSING PART NUMBER	COLOR	KEYING OPTION	MAT SEAL CAP	CAVITY TYPE & STATUS (X = PLUGGED)															CPA	INTERFACE SEAL	MAT SEAL	INSERT/TPA	MATES WITH SEE NOTE #1
						2	3	4	5	6	7	10	11	12	13	14	15								
T	33476-1601	33496-1601	BLACK	A	33536-1601													-	33526-1601	33516-1601	33506-1601				
	33476-1602	33496-1602	LT.GRAY	B	33536-1601													-	33526-1601	33516-1601	33506-1601				
	33476-1603	33496-1603	BROWN	C	33536-1601													-	33526-1601	33516-1601	33506-1601				
	33476-1604	33496-1604	GREEN	D	33536-1601													-	33526-1601	33516-1601	33506-1601				
S	33476-1605	33496-1605	CUSTOM	TBD	33536-1601													-	33526-1601	33516-1601	33506-1601				
	33476-1606	33496-1601	BLACK	A	33536-1601													33611-0001	33526-1601	33516-1601	33506-1601				
	33476-1607	33496-1602	LT.GRAY	B	33536-1601													33611-0001	33526-1601	33516-1601	33506-1601				
	33476-1608	33496-1603	BROWN	C	33536-1601													33611-0001	33526-1601	33516-1601	33506-1601				
	33476-1609	33496-1604	GREEN	D	33536-1601													33611-0001	33526-1601	33516-1601	33506-1601				
R	33476-1610	33496-1605	CUSTOM	TBD	33536-1601													33611-0001	33526-1601	33516-1601	33506-1601				
	33476-1611	33496-1601	BLACK	A	33536-1601	X												-	33526-1601	33516-1601	33506-1601				
	33476-1612	33496-1602	LT.GRAY	B	33536-1601	X												-	33526-1601	33516-1601	33506-1601				
	33476-1613	33496-1603	BROWN	C	33536-1601	X												-	33526-1601	33516-1601	33506-1601				
	33476-1614	33496-1604	GREEN	D	33536-1601	X												-	33526-1601	33516-1601	33506-1601				
O	33476-1615	33496-1605	CUSTOM	TBD	33536-1601	X												-	33526-1601	33516-1601	33506-1601				
	33476-1616	33496-1601	BLACK	A	33536-1601	X												33611-0001	33526-1601	33516-1601	33506-1601				
	33476-1617	33496-1602	LT.GRAY	B	33536-1601	X												33611-0001	33526-1601	33516-1601	33506-1601				
	33476-1618	33496-1603	BROWN	C	33536-1601	X												33611-0001	33526-1601	33516-1601	33506-1601				
	33476-1619	33496-1604	GREEN	D	33536-1601	X												33611-0001	33526-1601	33516-1601	33506-1601				
	33476-1620	33496-1605	CUSTOM	TBD	33536-1601	X												33611-0001	33526-1601	33516-1601	33506-1601				
P	33476-1621	33496-1601	BLACK	A	33536-1601	X									X			-	33526-1601	33516-1601	33506-1601				
	33476-1622	33496-1602	LT.GRAY	B	33536-1601	X									X			-	33526-1601	33516-1601	33506-1601				
	33476-1623	33496-1603	BROWN	C	33536-1601	X									X			-	33526-1601	33516-1601	33506-1601				
	33476-1624	33496-1604	GREEN	D	33536-1601	X									X			-	33526-1601	33516-1601	33506-1601				
	33476-1625	33496-1605	CUSTOM	TBD	33536-1601	X									X			-	33526-1601	33516-1601	33506-1601				
O	33476-1626	33496-1601	BLACK	A	33536-1601	X									X			33611-0001	33526-1601	33516-1601	33506-1601				
	33476-1627	33496-1602	LT.GRAY	B	33536-1601	X									X			33611-0001	33526-1601	33516-1601	33506-1601				
	33476-1628	33496-1603	BROWN	C	33536-1601	X									X			33611-0001	33526-1601	33516-1601	33506-1601				
	33476-1629	33496-1604	GREEN	D	33536-1601	X									X			33611-0001	33526-1601	33516-1601	33506-1601				
	33476-1630	33496-1605	CUSTOM	TBD	33536-1601	X									X			33611-0001	33526-1601	33516-1601	33506-1601				
N	33476-1641	33496-1601	BLACK	A	33536-1601	X	X	X	X	X	X	X	X	X	X	X		-	33526-1601	33516-1601	33506-1601				
	33476-1651	33496-1601	BLACK	A	33536-1601	X	X			X								-	33526-1601	33516-1601	33506-1601				
	33476-1661	33496-1601	BLACK	A	33536-1601		X			X								-	33526-1601	33516-1601	33506-1601				
	33476-1671	33496-1601	BLACK	A	33536-1601					X								-	33526-1601	33516-1601	33506-1601				
	33476-1701	33496-1701	BLACK	E	33536-1601													-	33526-1601	33516-1601	33506-1702				
	33476-1702	33496-1702	LT.GRAY	F	33536-1601													-	33526-1601	33516-1601	33506-1702				
M	33476-1703	33496-1703	BROWN	G	33536-1601													-	33526-1601	33516-1601	33506-1702				
	33476-1704	33496-1704	YELLOW	H	33536-1601													-	33526-1601	33516-1601	33506-1702				
	33476-1706	33496-1704	YELLOW	H	33536-1601							X	X					33611-0001	33526-1601	33516-1601	33506-1702				
	33476-1707	33496-1704	YELLOW	H	33536-1601	X							X	X				33611-0001	33526-1601	33516-1601	33506-1702				
	33476-1708	33496-1704	YELLOW	H	33536-1601	X									X			33611-0001	33526-1601	33516-1601	33506-1702				
L	33476-1709	33496-1704	YELLOW	H	33536-1601		X			X	X	X	X	X	X	X		33611-0001	33526-1601	33516-1601	33506-1702				
	33476-1710	33496-1704	YELLOW	H	33536-1601		X			X	X	X	X	X	X	X		33611-0001	33526-1601	33516-1601	33506-1702				
	33476-1711	33496-1704	YELLOW	H	33536-1601													33611-0001	33526-1601	33516-1601	33506-1702				
	33476-1712	33496-1704	YELLOW	H	33536-1601	X	X			X	X	X	X		X	X		33611-0001	33526-1601	33516-1601	33506-1702				
	33476-1801	33496-1601	BLACK	A	33536-1601											X		-	33526-1601	33516-1601	33506-1601				
	33476-1811	33496-1601	BLACK	A	33536-1601	X	X			X	X					X		-	33526-1601	33516-1601	33506-1601				
K	33476-1821	33496-1601	BLACK	A	33536-1601					X	X					X		-	33526-1601	33516-1601	33506-1601				
	33476-1831	33496-1601	BLACK	A	33536-1601	X	X			X						X		-	33526-1601	33516-1601	33506-1601				
	33476-1842	33496-1602	LT.GRAY	B	33536-1601			X								X		-	33526-1601	33516-1601	33506-1601				
	33476-1843	33496-1601	BLACK	A	33536-1601		X			X						X		-	33526-1601	33516-1601	33506-1601				
	33476-1844	33496-1601	BLACK	A	33536-1601			X								X		-	33526-1601	33516-1601	33506-1601				
J	33476-1845	33496-1601	BLACK	A	33536-1601	X									X	X	X	-	33526-1601	33516-1601	33506-1601				
	33476-1846	33496-1601	BLACK	A	33536-1601	X	X								X	X	X	-	33526-1601	33516-1601	33506-1601				
	33476-1847	33496-1601	BLACK	A	33536-1601	X		X							X	X	X	-	33526-1601	33516-1601	33506-1601				
	33476-1879	33496-1601	BLACK	A	33536-1601				X	X								-	33526-1601	33516-1601	33506-1601				
	33476-1880	33496-1601	BLACK	A	33536-1601			X	X						X	X	X	-	33526-1601	33516-1601	33506-1601				
I	33476-1882	33496-1601	BLACK	A	33536-1601				X						X	X	X	-	33526-1601	33516-1601	33506-1601				
	33476-1883	33496-1601	BLACK	A	33536-1601		X			X	X	X	X	X	X	X	X	-	33526-1601	33516-1601	33506-1601				
	33476-1884	33496-1601	BLACK	A	33536-1601				X						X	X	X	-	33526-1601	33516-1601	33506-1601				
	33476-1885	33496-1601	BLACK	A	33536-1601										X	X	X	-	33526-1601	33516-1601	33506-1601				
	33476-1886	33496-1602	LT.GRAY	B	33536-1601			X							X	X	X	-	33526-1601	33516-1601	33506-1601				
	33476-1887	33496-1602	LT.GRAY	B	33536-1601			X							X	X	X	-	33526-1601	33516-1601	33506-1601				
H	33476-1888	33496-1601	BLACK	A	33536-1601	X				X	X							-	33526-1601	33516-1601	33506-1601				
	33476-1889	33496-1601	BLACK	A	33536-1601	X				X					X	X	X	-	33526-1601	33516-1601	33506-1601				
	33476-1890	33496-1601	BLACK	A	33536-1601		X			X	X				X			-	33526-1601	33516-1601	33506-1601				
	33476-2001	33496-1701	BLACK	E	33536-1601													-	33526-1601	33516-1601	33506-1702				
	33476-2002	33496-1702	LT.GRAY	F	33536-1601													-	33526-1601	33516-1601	33506-1702				
G	33476-2003	33496-1703	BROWN	G	33536-1601													-	33526-1601	33516-1601	33506-1702				
	33476-2004	33496-1704	YELLOW	H	33536-1601													-	33526-1601	33516-1601	33506-1702				
	33476-2006	33496-1704	YELLOW	H	33536-1601							X	X					33611-0001	33526-1601	33516-1601	33506-1702				
	33476-2007	33496-1704	YELLOW	H	33536-1601	X																			

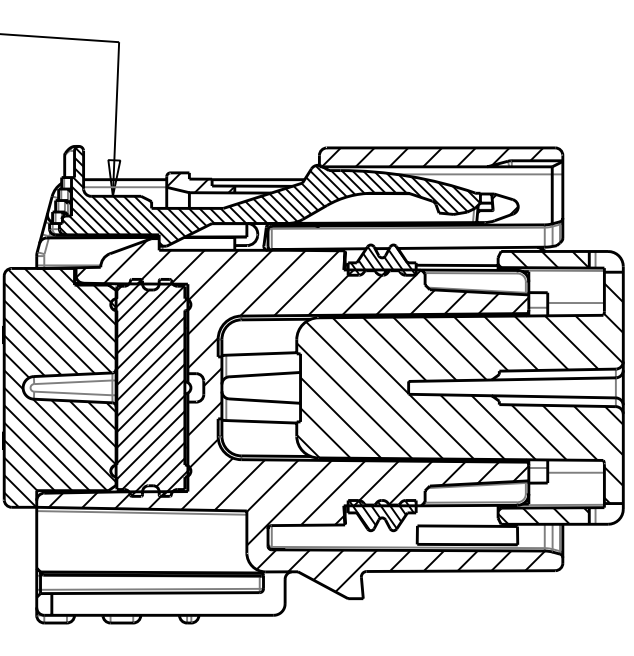


CPA TO BE INSTALLED IN PRE-LOCK POSITION AS SHOWN IN BOTH VIEWS, SEE NOTE #5

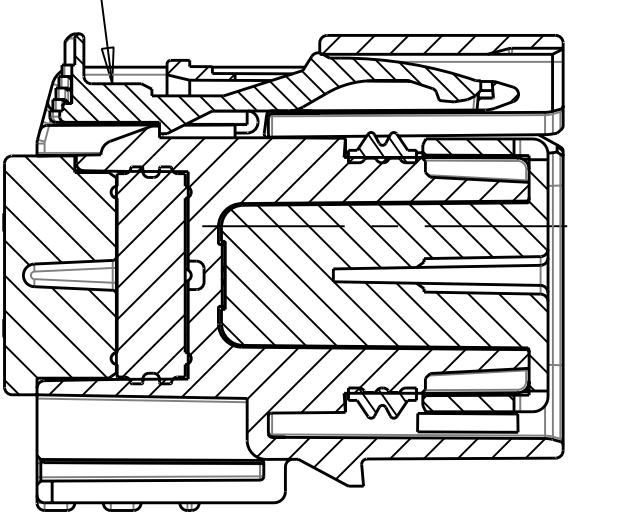
SECTION B-B
(RECEPTACLE INSERT WITH SHORTING BAR LIFTER SHOWN IN PRE-LOCK)
SEE NOTE #2



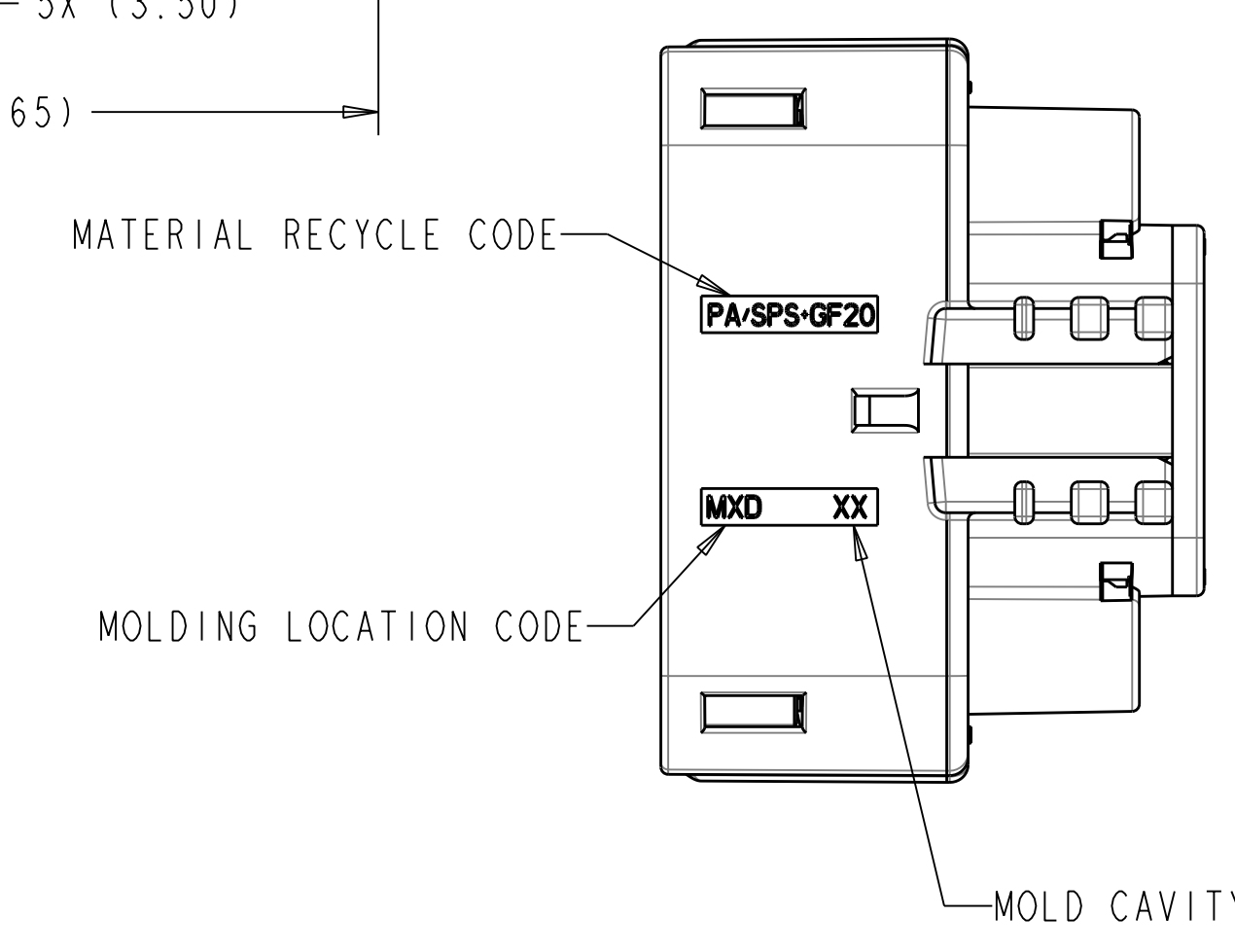
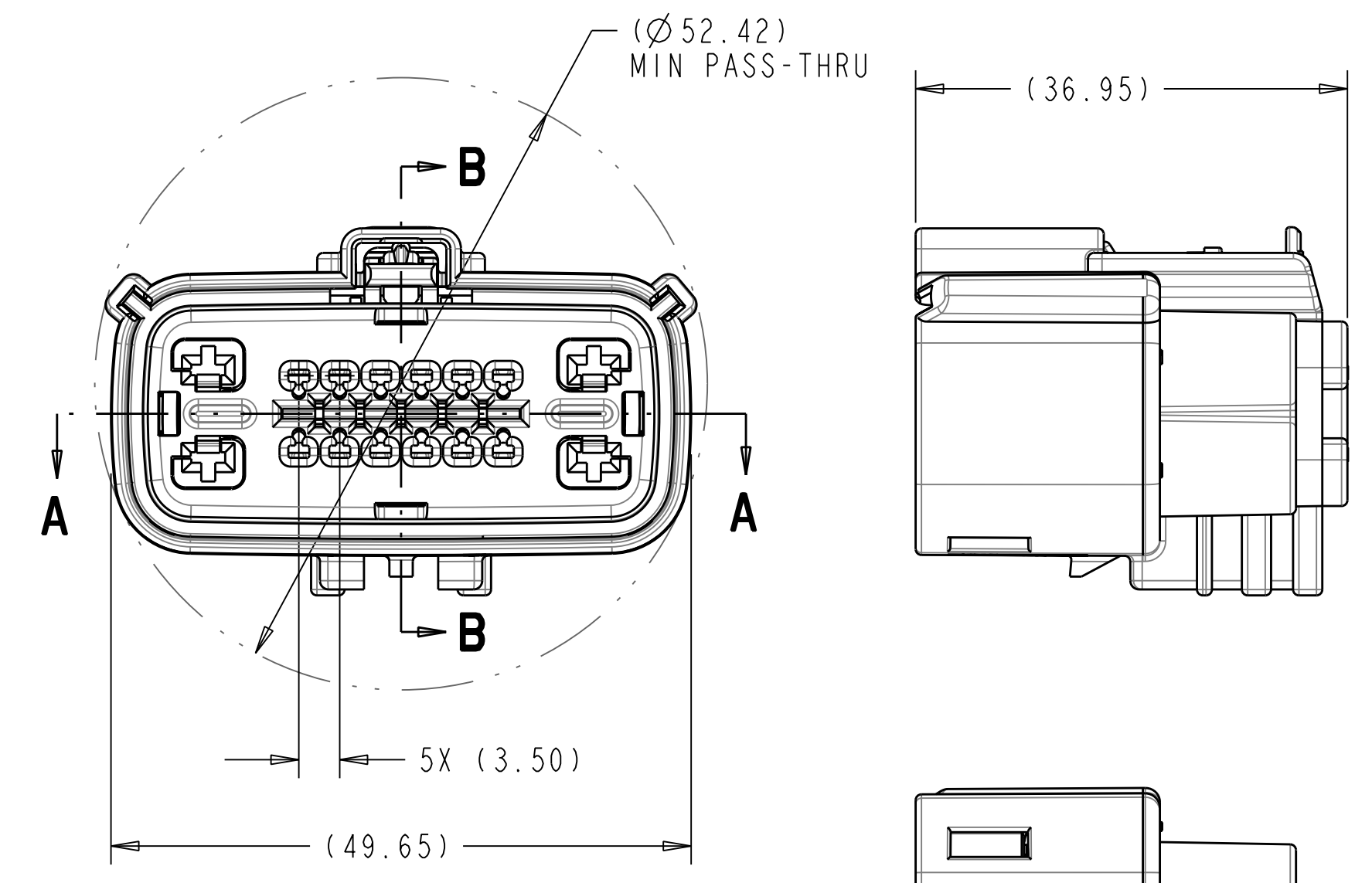
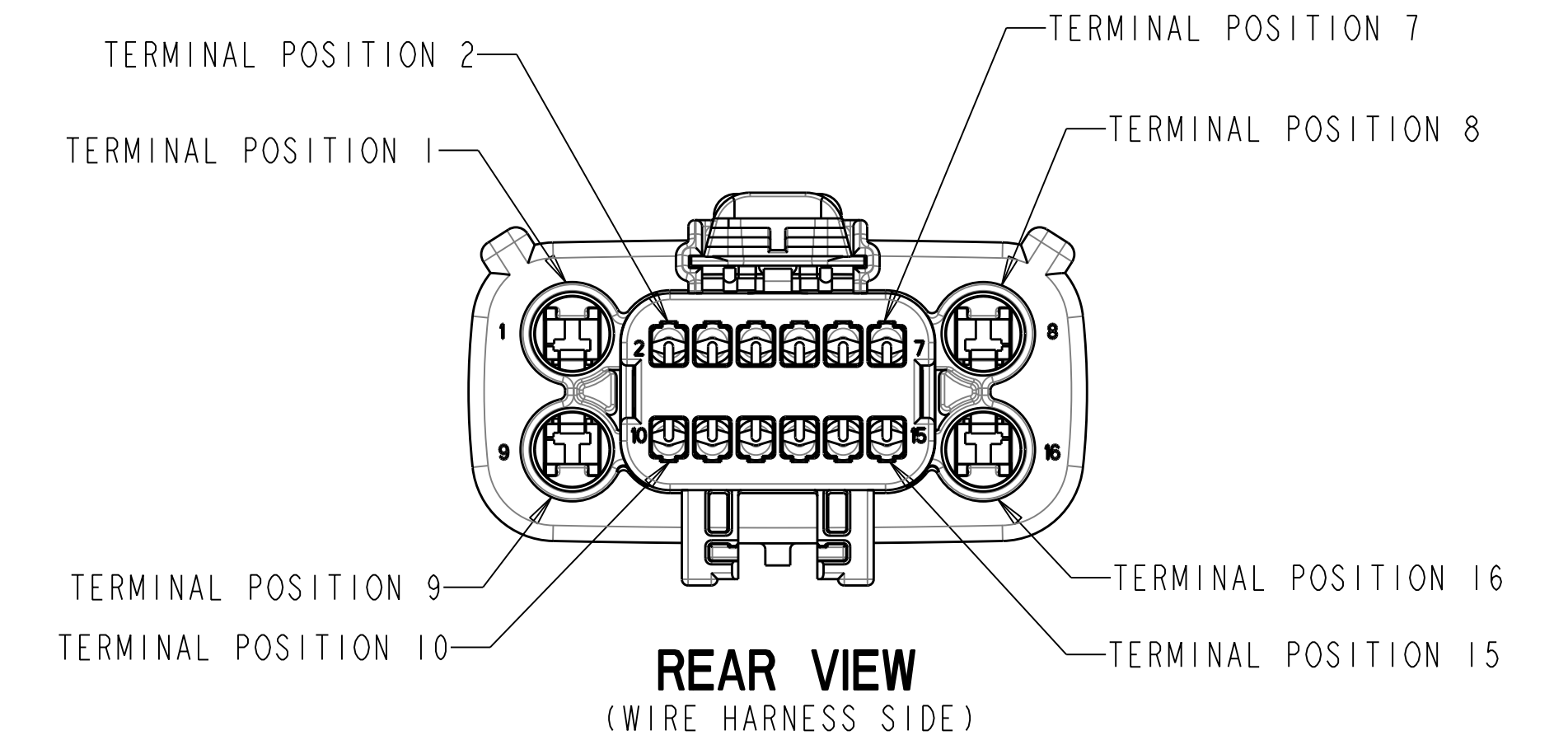
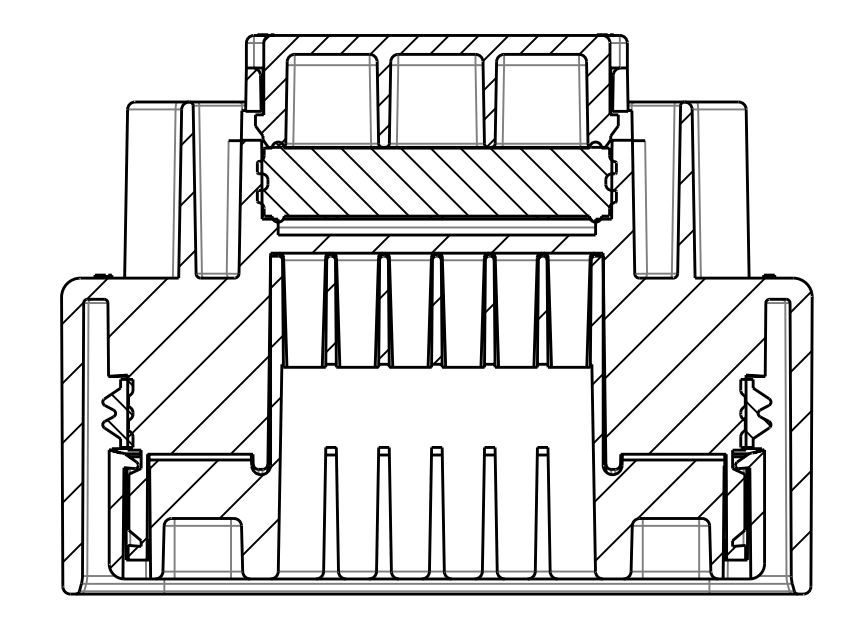
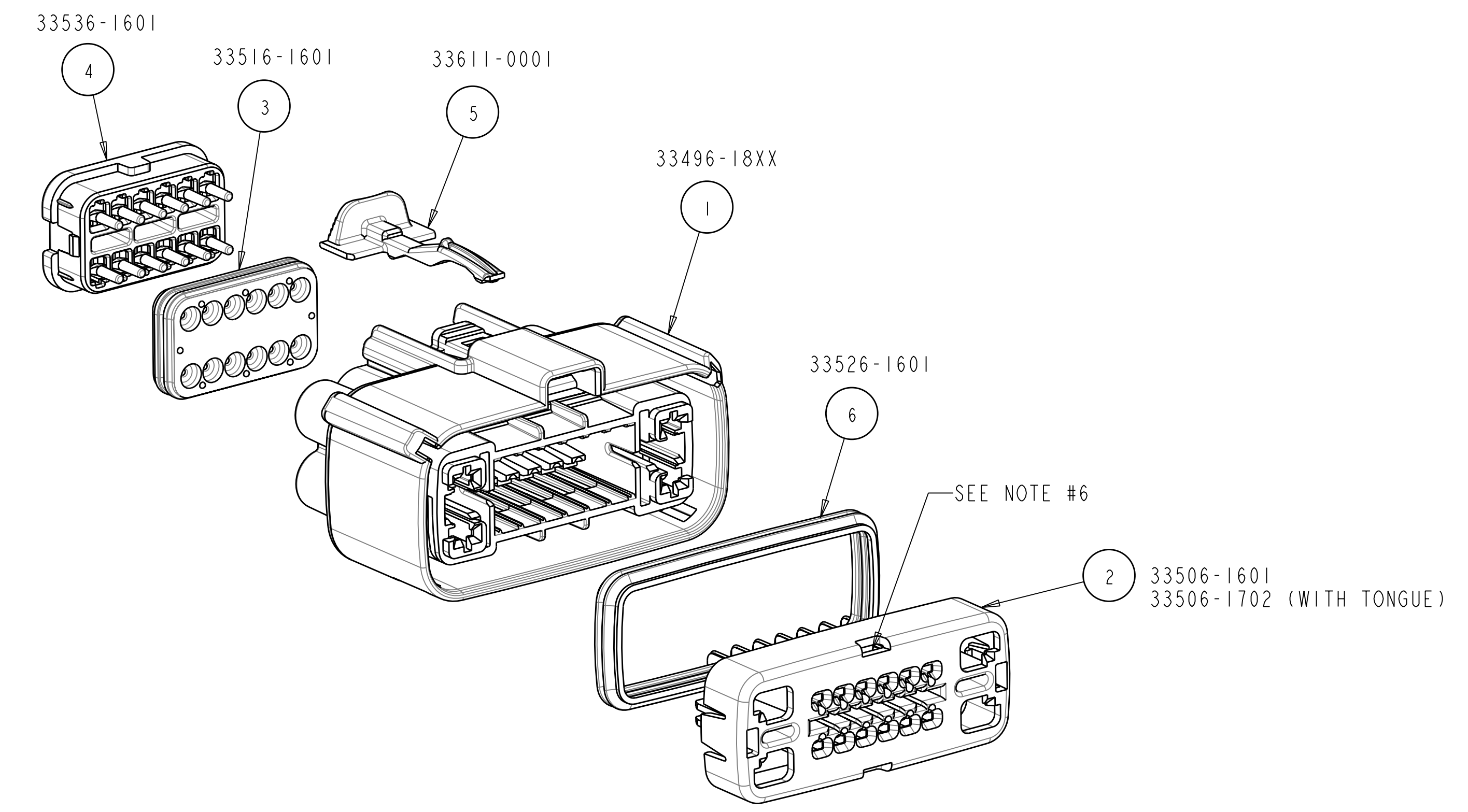
SECTION B-B
(RECEPTACLE INSERT WITH SHORTING BAR LIFTER SHOWN IN FULL-LOCK)
SEE NOTE #2



SECTION B-B
(RECEPTACLE INSERT SHOWN IN PRE-LOCK)
SEE NOTE #2



SECTION B-B
(RECEPTACLE INSERT SHOWN IN FULL-LOCK)
SEE NOTE #2



- NOTES: UNLESS OTHERWISE SPECIFIED
- DESIGNED TO MATE WITH BLADE HOUSING ASSEMBLY SPECIFIED IN CHARTED DRAWING E-33486-161 OR DEVICE CONNECTION AS SPECIFIED IN DRAWING E-33586-161. SEE CHART
 - ASSEMBLY SHIPPED WITH RECEPTACLE INSERT IN PRE-LOCK POSITION (SEE SECTION B-B PRE-LOCK). UPON FULL TERMINAL ASSEMBLY, EACH RECEPTACLE INSERT MUST BE SNAPPED INTO ITS FINAL-LOCK POSITION.
 - FOR 1.5mm RECEPTACLE TERMINALS TO BE USED WITH THIS ASSEMBLY, SEE MOLEX DRAWING E-33012-001. FOR FORD 2.8mm FEMALE RECEPTACLE SEE CHART.
 - SYSTEM TO BE USED WITH WIRE WITHIN Ø RANGE OF 1.2mm TO 2.4mm.
 - OPTIONAL CPA SHOWN IN ALL VIEWS. SEE TABLES FOR SPECIFIC ASSEMBLY OPTION AND NUMBER. CPA MUST BE INSERTED TO THE PRE-LOCK POSITION, AS SHOWN IN SECTION B-B. WHEN CORRECTLY SEATED THE CPA DOES NOT MOVE, FREELY.
 - SERVICE WITH SCREWDRIVER.
 - REFER TO TABLE ON SHEET 2 OF THIS DRAWING FOR ALL PART NUMBER CONFIGURATION OPTIONS.
 - REFER TO ASSEMBLY DRAWING E-33476-161 FOR RECEPTACLE WITHOUT CLIP SLOT OPTIONS.
 - 9a. ENGAGEMENT FORCE - NO TERMINALS (PRE TO FINAL): 15N MIN.
9b. ENGAGEMENT FORCE - WITH TERMINALS (PRE TO FINAL): 60N MAX.
9c. DISENGAGEMENT FORCE - WITH TERMINALS (FINAL TO PRE): 18N MIN, 60N MAX.
9d. PARTIALLY INSTALLED TERMINAL DETECTION - 80N MIN OR 40N GREATER THAN (b) WHICHEVER IS GREATER.
9e. REMOVAL FORCE - WITH TERMINALS (FINAL TO OUT OF CONNECTOR): 25N MIN.

TYCO 2.8mm CABLE SEAL TERMINAL	
FORD P/N	GRIP SIZE
IFIT-14474-RA	12
IFIT-14474-JA	14
IFIT-14474-HA	16
IFIT-14474-GA	18
IFIT-14474-FA	20
IFIT-14474-EA	22

EC NO: UAU2005-0053	QUALITY SYMBOLS	GENERAL TOLERANCES (UNLESS SPECIFIED)	SCALE 2:1	DESIGN UNITS mm	THIRD ANGLE PROJECTION	REVISE ON CAD ONLY
DRWN: D.GRIFFITHS 08-11-04	-0	4 PLACES ± .10	DIMENSION STYLE mm	DRAWN BY D.GRIFFITHS	DATE 05-21-03	TITLE 1.5mm/2.8mm HYBRID CONNECTOR, RCPT 2 ROW HOUSING w/ CLIP SLOT SEALED, 16 WAY
CH'K: D.GRIFFITHS 08-11-04		3 PLACES ± .10				
APPR: D.GRIFFITHS 08-11-04	-0	2 PLACES ± 0.10	APPROVED BY D.GRIFFITHS	DATE 05-21-03	MATERIAL NO. -	DOCUMENT NO. SD-33476-181
		1 PLACE ± 0.3	D.GRIFFITHS	DATE 05-21-03		SHEET NO. 1 OF 2
		ANGULAR ± 3°				

THIS DRAWING CONTAINS INFORMATION THAT IS PROPRIETARY TO MOLEX INCORPORATED AND SHOULD NOT BE USED WITHOUT WRITTEN PERMISSION						
---	--	--	--	--	--	--

T	ASSEMBLY PART NUMBER	HOUSING PART NUMBER	COLOR	KEYING OPTION	MAT SEAL CAP	CAVITY TYPE & STATUS (X = PLUGGED)										CPA	INTERFACE SEAL	MAT SEAL	INSERT/TPA		
						2	3	4	5	6	7	10	11	12	13					14	15
T	33476-1713	33496-1806	BLACK	E	33536-1601													33526-1601	33516-1601	33506-1702	
T	33476-1841	33496-1801	BLACK	A	33536-1601													33526-1601	33516-1601	33506-1601	
T	33476-1848	33496-1801	BLACK	A	33536-1601	X											33611-0001	33526-1601	33516-1601	33506-1601	
T	33476-1849	33496-1801	BLACK	A	33536-1601												33611-0001	33526-1601	33516-1601	33506-1601	
S	33476-1850	33496-1801	BLACK	A	33536-1601	X					X	X					-	33526-1601	33516-1601	33506-1601	
S	33476-1851	33496-1807	LT.GRAY	F	33536-1601	X	X			X	X				X	X	X	-	33526-1601	33516-1601	33506-1702
S	33476-1852	33496-1807	LT.GRAY	F	33536-1601					X								-	33526-1601	33516-1601	33506-1702
S	33476-1853	33496-1807	LT.GRAY	F	33536-1601	X	X			X					X			-	33526-1601	33516-1601	33506-1702
S	33476-1854	33496-1807	LT.GRAY	F	33536-1601					X					X			-	33526-1601	33516-1601	33506-1702
S	33476-1855	33496-1807	LT.GRAY	F	33536-1601	X				X		X	X					-	33526-1601	33516-1601	33506-1702
R	33476-1856	33496-1807	LT.GRAY	F	33536-1601					X					X			-	33526-1601	33516-1601	33506-1702
R	33476-1857	33496-1807	LT.GRAY	F	33536-1601					X			X	X				-	33526-1601	33516-1601	33506-1702
R	33476-1858	33496-1807	LT.GRAY	F	33536-1601	X	X			X		X						-	33526-1601	33516-1601	33506-1702
R	33476-1859	33496-1807	LT.GRAY	F	33536-1601							X						-	33526-1601	33516-1601	33506-1702
R	33476-1860	33496-1807	LT.GRAY	F	33536-1601	X	X	X	X	X		X						-	33526-1601	33516-1601	33506-1702
O	33476-1861	33496-1801	BLACK	A	33536-1601	X	X	X				X	X		X			-	33526-1601	33516-1601	33506-1601
O	33476-1862	33496-1806	BLACK	E	33536-1601	X										X		-	33526-1601	33516-1601	33506-1702
O	33476-1875	33496-1806	BLACK	E	33536-1601							X	X			X		-	33526-1601	33516-1601	33506-1702
O	33476-1876	33496-1806	BLACK	E	33536-1601					X	X	X	X			X		-	33526-1601	33516-1601	33506-1702
O	33476-1877	33496-1806	BLACK	E	33536-1601										X	X		-	33526-1601	33516-1601	33506-1702
P	33476-1878	33496-1806	BLACK	E	33536-1601										X			-	33526-1601	33516-1601	33506-1702
P	33476-1881	33496-1801	BLACK	A	33536-1601					X	X					X		-	33526-1601	33516-1601	33506-1601
P	33476-1891	33496-1801	BLACK	A	33536-1601	X	X			X								-	33526-1601	33516-1601	33506-1601
P	33476-1892	33496-1806	BLACK	E	33536-1601	X	X								X	X		-	33526-1601	33516-1601	33506-1702
P	33476-1893	33496-1806	BLACK	E	33536-1601							X	X		X	X		-	33526-1601	33516-1601	33506-1702
O	33476-1894	33496-1807	LT.GRAY	F	33536-1601										X	X	X	-	33526-1601	33516-1601	33506-1702
O	33476-1895	33496-1809	YELLOW	H	33536-1601													-	33526-1601	33516-1601	33506-1702
O	33476-1896	33496-1809	YELLOW	H	33536-1601										X			-	33526-1601	33516-1601	33506-1702
O	33476-1897	33496-1807	LT.GRAY	F	33536-1601					X	X	X	X	X	X	X		-	33526-1601	33516-1601	33506-1702
N	33476-1898	33496-1807	LT.GRAY	F	33536-1601					X		X	X	X	X	X		-	33526-1601	33516-1601	33506-1702
N	33476-1899	33496-1809	YELLOW	H	33536-1601					X	X	X	X		X			-	33526-1601	33516-1601	33506-1702
N	33476-1900	33496-1809	YELLOW	H	33536-1601					X		X	X		X			-	33526-1601	33516-1601	33506-1702
N	33476-2201	33496-1806	BLACK	E	33536-1601													-	33526-1601	33516-1601	33506-1702
N	33476-2202	33496-1807	LT.GRAY	F	33536-1601	X	X			X	X				X	X	X	-	33526-1601	33516-1601	33506-1702
N	33476-2203	33496-1807	LT.GRAY	F	33536-1601					X								-	33526-1601	33516-1601	33506-1702
M	33476-2204	33496-1807	LT.GRAY	F	33536-1601	X	X			X					X			-	33526-1601	33516-1601	33506-1702
M	33476-2205	33496-1807	LT.GRAY	F	33536-1601					X					X			-	33526-1601	33516-1601	33506-1702
M	33476-2206	33496-1807	LT.GRAY	F	33536-1601	X				X		X	X					-	33526-1601	33516-1601	33506-1702
M	33476-2207	33496-1807	LT.GRAY	F	33536-1601					X					X			-	33526-1601	33516-1601	33506-1702
M	33476-2208	33496-1807	LT.GRAY	F	33536-1601					X			X	X				-	33526-1601	33516-1601	33506-1702
L	33476-2209	33496-1807	LT.GRAY	F	33536-1601	X	X			X		X						-	33526-1601	33516-1601	33506-1702
L	33476-2210	33496-1807	LT.GRAY	F	33536-1601							X						-	33526-1601	33516-1601	33506-1702
L	33476-2211	33496-1807	LT.GRAY	F	33536-1601	X	X	X	X	X								-	33526-1601	33516-1601	33506-1702

EC NO: UAU2005-0053 DRWN: D.GRIFFITHS 08-11-04 CH'K: D.GRIFFITHS 08-11-04 APPR: D.GRIFFITHS 08-11-04	QUALITY SYMBOLS 	GENERAL TOLERANCES (UNLESS SPECIFIED)		SCALE 2.000	DESIGN UNITS mm	THIRD ANGLE PROJECTION REVISE ON CAD ONLY	
		4 PLACES ± .005	3 PLACES ± .005	DIMENSION STYLE mm			TITLE
		2 PLACES ± 0.10	1 PLACE ± 0.3	DRAWN BY D.GRIFFITHS DATE 05-21-03		1.5mm/2.8mm HYBRID CONNECTOR, RCPT 2 ROW HOUSING w/ CLIP SLOT SEALED, 16 WAY	
		ANGULAR ± 3°		CHECKED BY D.GRIFFITHS DATE 05-21-03		MOLEX INCORPORATED	
M	REV	APPROVED BY D.GRIFFITHS DATE 05-21-03		MATERIAL NO. -	DOCUMENT NO. SD-33476-181	SHEET NO. 2 OF 2	
THIS DRAWING CONTAINS INFORMATION THAT IS PROPRIETARY TO MOLEX INCORPORATED AND SHOULD NOT BE USED WITHOUT WRITTEN PERMISSION							

TABLE OF CONTENTS	
SHEET NO.	SHEET DESCRIPTION
1	NOTES AND BOM
2	CONFIGURATIONS
3	KEY CONFIGURATIONS
4	BLADE SEALED ASSEMBLY
5	SYSTEM PACKAGING

NOTES: VALID UNLESS OTHERWISE SPECIFIED

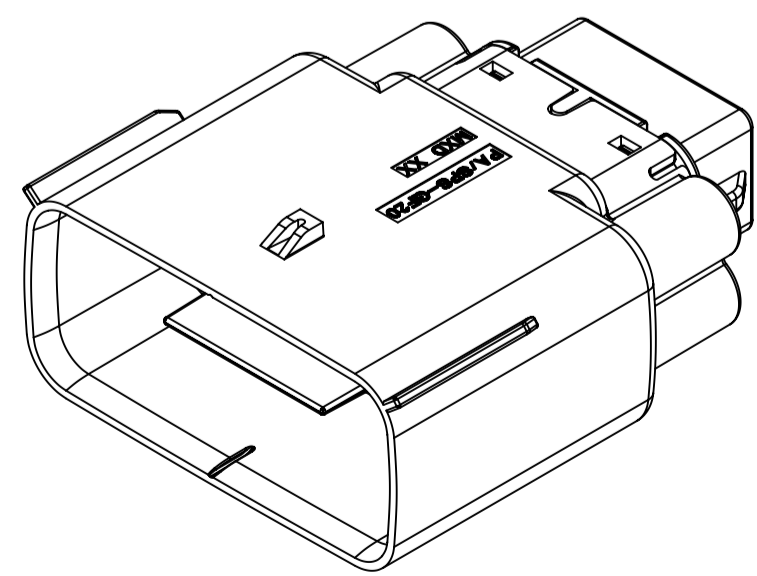
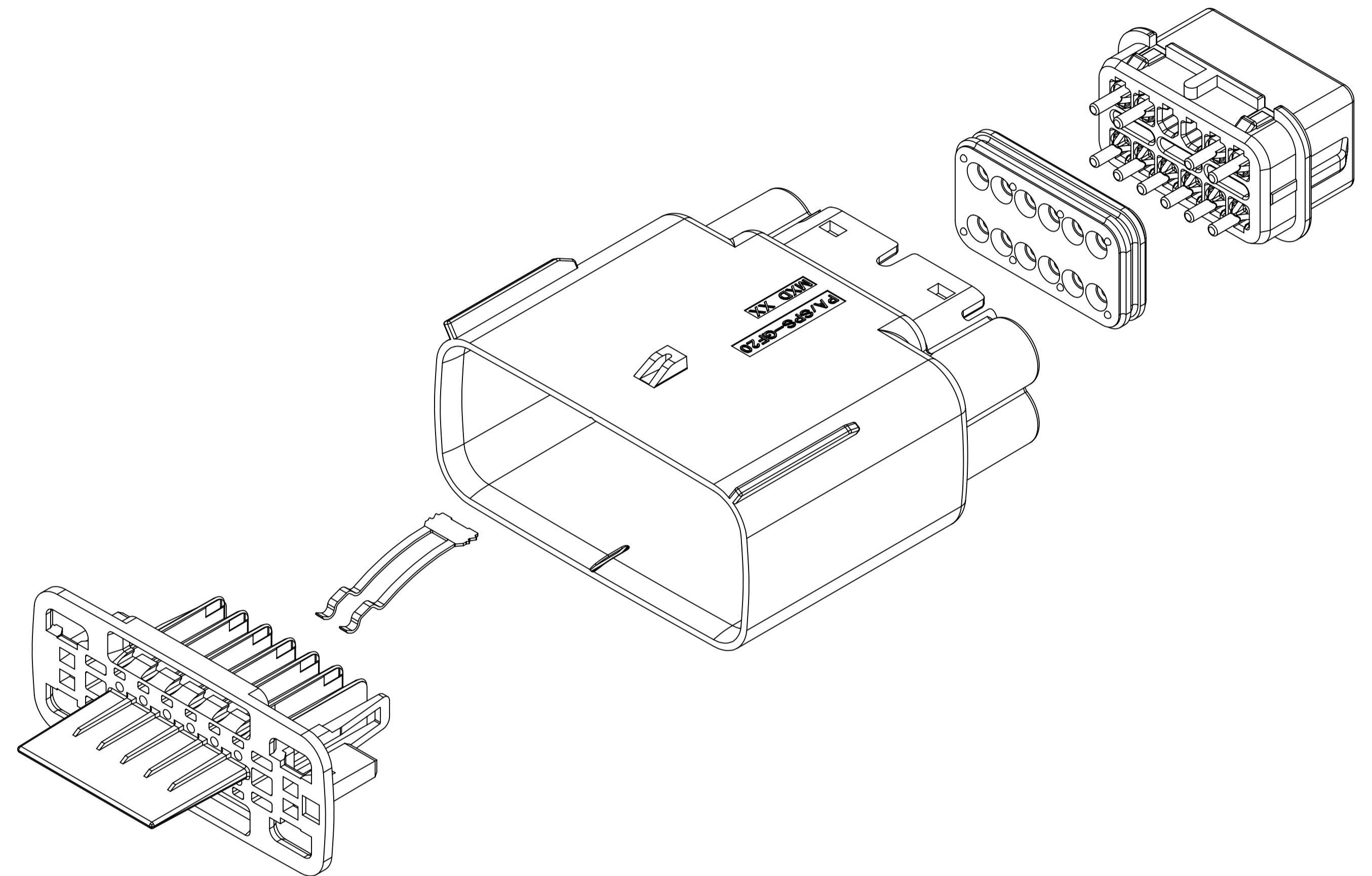
1. GENERAL:
 - a. APPLICATION SPECIFICATION SEE: AS-33472-100
 - CONTAINS: PRODUCT INTRODUCTION, PRODUCT SUMMARY, CONNECTOR ASSEMBLY, PACKAGING INFORMATION, CONNECTOR MATING, SERVICE INSTRUCTIONS, ELECTRICAL CONTINUITY CHECKING, CRIMPING, AND TROUBLESHOOTING.
 - DESIGNED TO MATE WITH RECEPTACLE SEALED ASSEMBLY AS SPECIFIED IN SD-34985-8001, SD-33476-161, OR SD-33476-181.
 - FOR SHORTING BAR APPLICATIONS RECEPTACLE SEALED ASSEMBLY CONFIGURATION MUST CONTAIN A PLR WITH SHORTING BAR LIFTER.
 - FOR 1.5mm BLADE TERMINALS TO BE USED WITH THE SHORTING BAR CIRCUIT LOCATIONS SEE MOLEX DRAWING SD-31296-001.
 - SHORTING BAR TERMINALS TO BE USED WITH WIRE DIAMETER RANGE OF 1.7mm TO 2.06mm.
 - SHORTING BAR TERMINAL CRIMP ANGLE MUST BE BETWEEN -1.4 DEG. AND +3.5 DEG. AFTER INSTALLATION INTO THE CONNECTOR ASSEMBLY. REFER TO MOLEX DRAWING SD-31296-001 FOR DETAILS.
 - FOR 1.5mm BLADE TERMINALS TO BE USED WITH THE NON-SHORTING BAR CIRCUIT LOCATIONS SEE MOLEX DRAWING SD-33000-001.
 - NON-SHORTING BAR TERMINALS TO BE USED WITH WIRE WITHIN DIAMETER RANGE OF 1.2mm TO 2.69mm.
 - FOR 2.8mm TERMINALS TO BE USED WITH THIS ASSEMBLY SEE TABLE.
 - 2.8mm TERMINALS TO BE USED WITH WIRE WITHIN DIAMETER RANGE OF 1.50mm TO 3.30mm.
 - ASSEMBLY SHIPPED WITH PLR IN PRE-LOCK POSITION (SEE PLR PRE-LOCK VIEW SHEET 4).
 - ASSEMBLY CONFORMS TO SAE-USCAR-2 REV.4 WITH THE FOLLOWING EXCEPTIONS:
 - TERMINAL INSERTION FORCE FOR WIRE DIAMETER ABOVE 2.5mm NOT EXCEEDING 2.69mm SHALL NOT EXCEED 45 NEWTONS.
 - PLR REMOVAL FROM FINAL-LOCK TO PRE-LOCK SHALL NOT EXCEED 75 NEWTONS.
 - b. PRODUCT SPECIFICATION SEE: PS-33476-000
 - CONTAINS: PRODUCT INTRODUCTION, PRODUCT SUMMARY, RATINGS (CURRENT, TEMPERATURE, SEALING, AND FLAMMABILITY), TERMINALS, WIRE DIAMETER RANGE, PRODUCT VALIDATION, AND PRODUCT DEVIATIONS.
 - c. PACKAGING SPECIFICATION PER MOLEX DRAWING: PK-31300-514
 - d. PARTS MUST BE IN COMPLIANCE TO MOLEX CHEMICAL SUBSTANCES FOR PRODUCTS AND PACKAGING SPECIFICATION: QEHS-699000-300
 - e. DATA MUST BE SUBMITTED UNDER THE MOLEX PART NUMBER TO IMDS (COMPANY ID#13255)

2. DESIGN - MATERIALS:

- a. SEE BOM TABLE IN SD-34986-8002

3. DESIGN - GEOMETRY:

- a. THE 3-D CAD DATA IS BASIC (WITHOUT TOLERANCE) AND MASTER FOR THIS PART WITH THE EXCEPTION OF UNDERLINED DIMENSIONS. DIMENSIONAL INFORMATION NOT SHOWN ON THIS DRAWING IS DEFINED BY THE DATA FILE AT ITS LATEST REVISION.
 - b. GEOMETRIC DIMENSIONS AND TOLERANCES PER ASME Y14.5M-2009
 - c. EDGES AND UNDIMENSIONED DETAILS PER ISO13715
 - d. CORNERS SHOWN AS SHARP TO BE R 0.2 MAX.
 - e. LETTERING SHALL BE 0.15 MAX RAISED IN 0.25 MAX RECESS PAD. THIS INCLUDES RECYCLING CODE, CAVITY ID, VENDOR IDENTIFICATION, AND CUSTOMER MATERIAL NUMBER.
 - f. VISUAL DEFECTS SHALL MEET COSMETIC STANDARD PS-45499-002 (Class B).
 - g. LASER MARKING:
 1. PART NUMBER
 2. DAY OF THE YEAR
 3. SHIFT
 4. YEAR
- FOR ADDITIONAL INFORMATION SEE SECTION 5 UNDER PROCEDURES IN ES-34735-008.



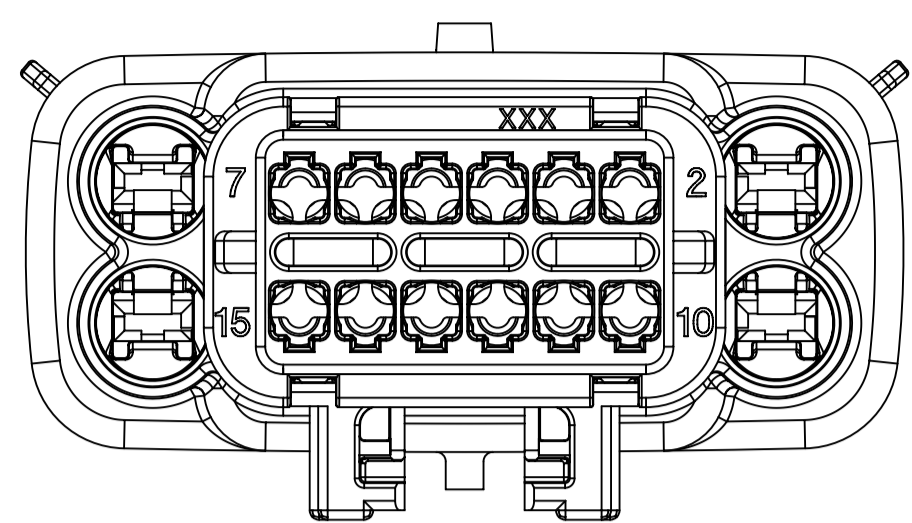
TYCO 2.8mm CABLE SEAL TERMINAL	
FORD P/N MALE BLADE	GRIP SIZE
3F2T-14421-GA	12
IFIT-14421-JA	14
IFIT-14421-HA	16
IFIT-14421-GA	18
IFIT-14421-FA	20
IFIT-14421-EA	22

INSPECTION NUMBER LOG	
REV	REV DESCRIPTION
C1	1. UPDATED THE VIEWS IN SHEET 2 2. CHANGED THE DIM 15.00+/-0.10 TO 15.00+0.30/-0.20 IN SHEET 4
C	REDRAWN MOVED BOM TO SD-34986-8002

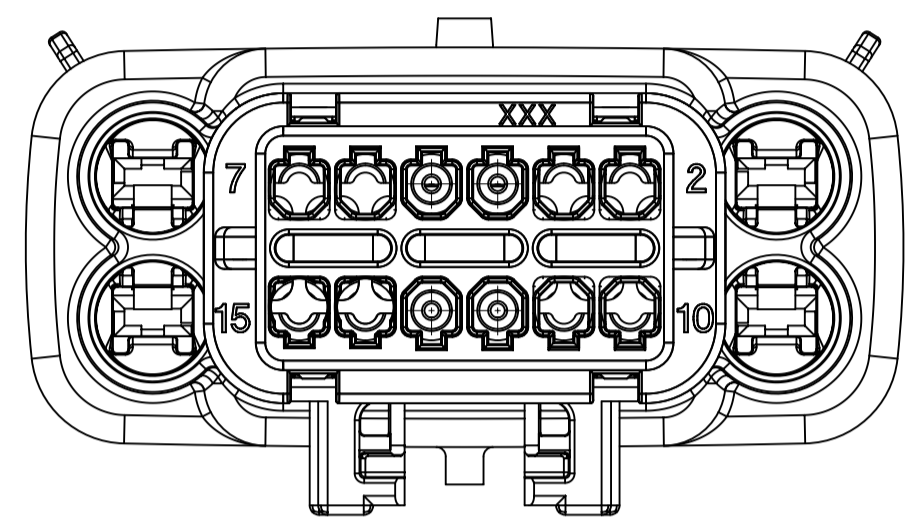
SYMBOLS		THIS DRAWING CONTAINS INFORMATION THAT IS PROPRIETARY TO MOLEX ELECTRONIC TECHNOLOGIES, LLC AND SHOULD NOT BE USED WITHOUT WRITTEN PERMISSION	
DIMENSION UNITS	SCALE	CURRENT REV DESC:	
= 0	mm	1.5:1	
= 0	GENERAL TOLERANCES (UNLESS SPECIFIED)		
= 0	ANGULAR TOL	± 3.0°	
= 0	4 PLACES	±	
= 0	3 PLACES	±	
= 0	2 PLACES	± 0.1	
= 0	1 PLACE	± 0.3	
= 0	0 PLACES	±	
= 0	DRAFT WHERE APPLICABLE MUST REMAIN WITHIN DIMENSIONS		
	THIRD ANGLE PROJECTION	DRAWING	SERIES
	A1-SIZE	34986	
EC NO: 177763		2018/05/30	
DRWN: LSONG05		2018/06/12	
CHK'D: MVANSLAMBROU		2018/06/12	
APPR: MVANSLAMBROU		2018/06/12	
INITIAL REVISION:		2013/05/06	
DRWN: APROFFITT		2013/05/16	
APPR: VKOSHY		2013/05/16	
DOCUMENT NUMBER		DOC TYPE	DOC PART
SD-34986-8001		PSD	001
REVISION		C1	
MATERIAL NUMBER		CUSTOMER	
SD-34986-8001		GENERAL MARKET	
SHEET NUMBER		1 OF 5	

SHEET DESCRIPTION

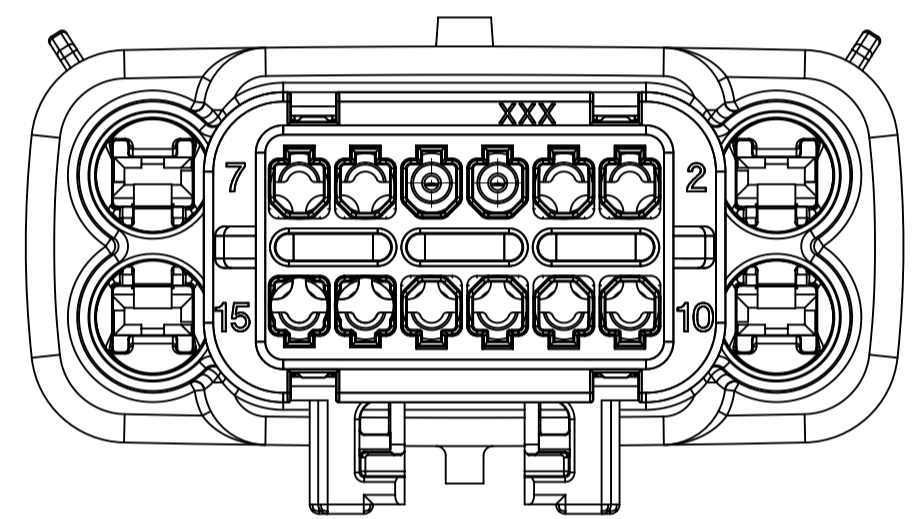
CONFIGURATIONS



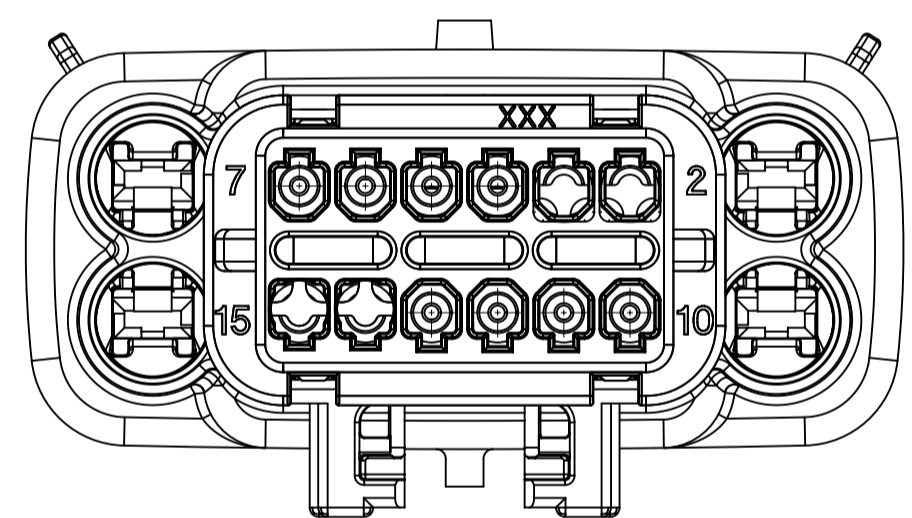
STANDARD GROMMET CAP



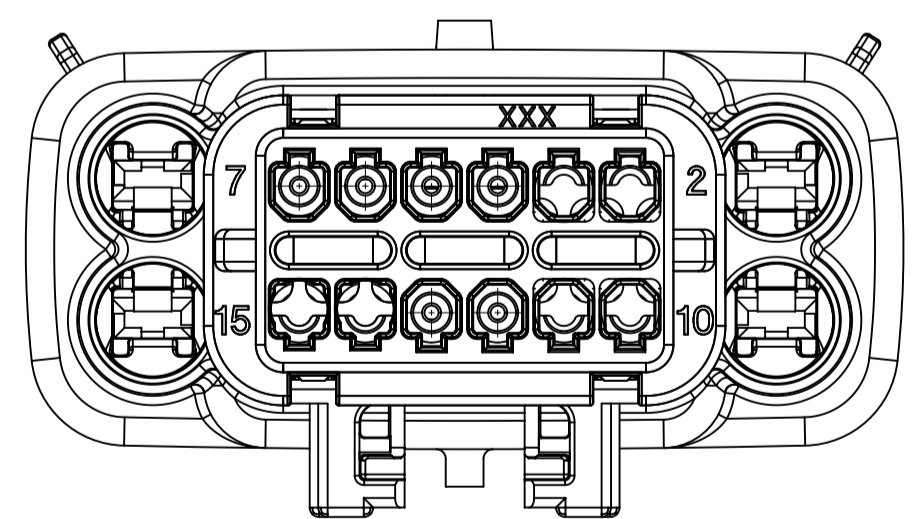
SHORTING BAR GROMMET CAP 1



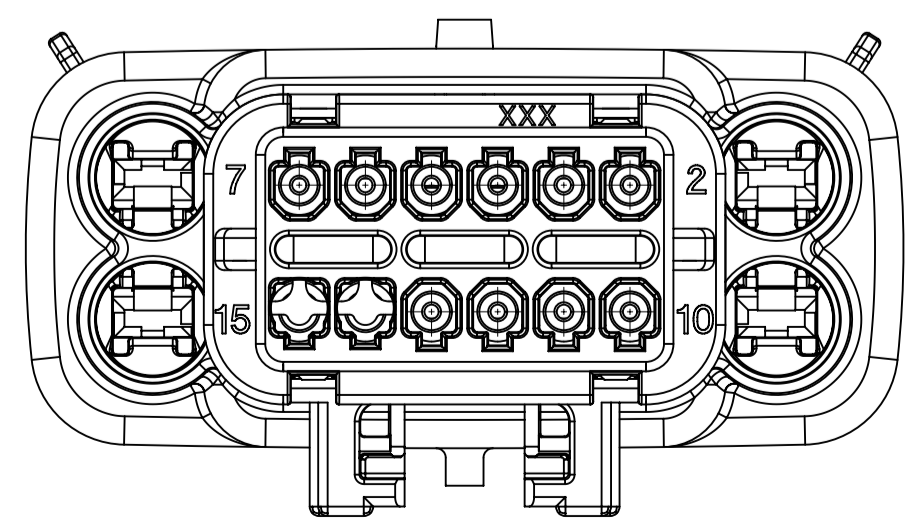
SHORTING BAR GROMMET CAP 2



SHORTING BAR GROMMET CAP 3



SHORTING BAR GROMMET CAP 4

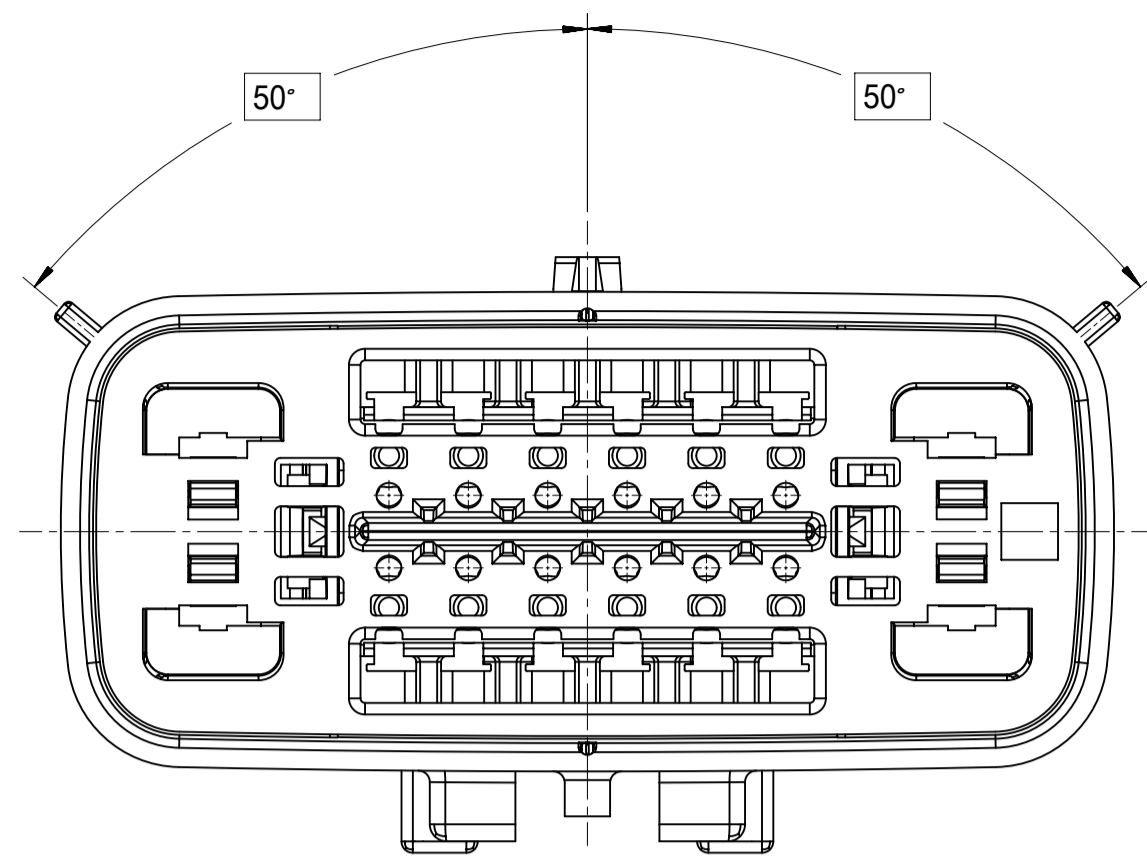


SHORTING BAR GROMMET CAP 5

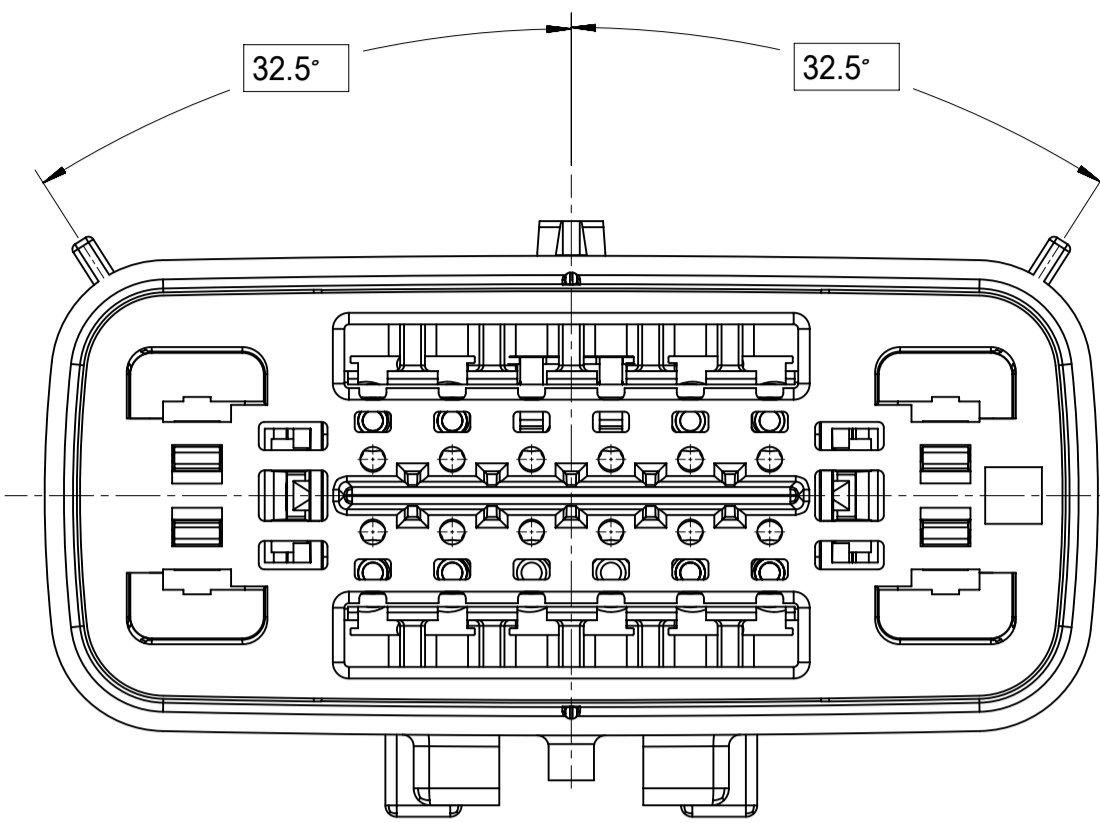
SYMBOLS	THIS DRAWING CONTAINS INFORMATION THAT IS PROPRIETARY TO MOLEX ELECTRONIC TECHNOLOGIES, LLC AND SHOULD NOT BE USED WITHOUT WRITTEN PERMISSION		CURRENT REV DESC:				
	DIMENSION UNITS	SCALE					
▽ = 0	mm	2.5:1	GENERAL TOLERANCES (UNLESS SPECIFIED)		PRODUCT CUSTOMER DRAWING DOCUMENT NUMBER: SD-34986-8001 DOC TYPE: PSD DOC PART: 001 REVISION: C1		
▽ = 0							
▽ = 0	ANGULAR TOL ± 3.0°		INITIAL REVISION:		MATERIAL NUMBER: 34986 CUSTOMER: GENERAL MARKET SHEET NUMBER: 2 OF 5		
▽ = 0	4 PLACES ±		DRWN: APROFFITT 2013/05/06 APPR: VKOSHY 2013/05/16				
▽ = 0	3 PLACES ±		THIRD ANGLE PROJECTION		DRAFT WHERE APPLICABLE MUST REMAIN WITHIN DIMENSIONS		
▽ = 0	2 PLACES ± 0.1		DRAWING				
▽ = 0	1 PLACE ± 0.3		SERIES		A1-SIZE 34986		
▽ = 0	0 PLACES ±		DRAWING				
⊠ = 0	DRAFT WHERE APPLICABLE MUST REMAIN WITHIN DIMENSIONS		THIRD ANGLE PROJECTION		A1-SIZE 34986		
■ = 0			DRAWING				

SHEET DESCRIPTION

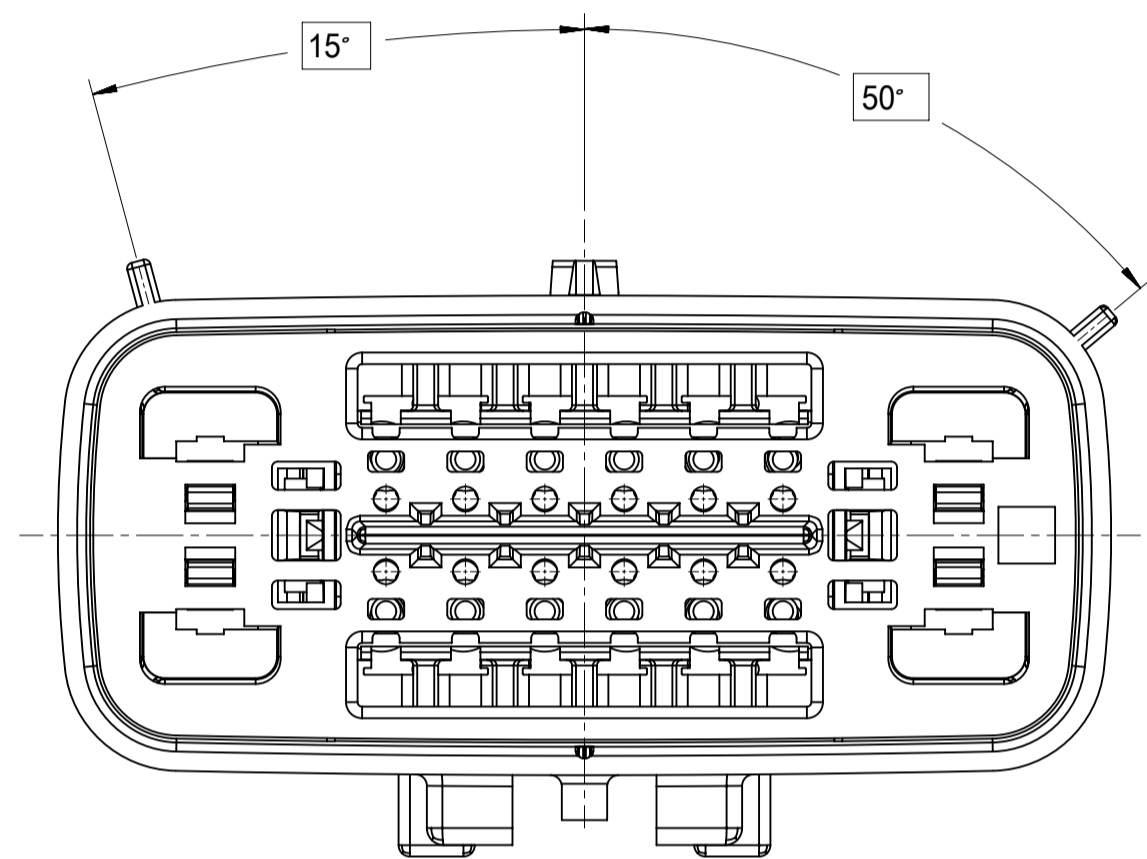
KEY CONFIGURATIONS



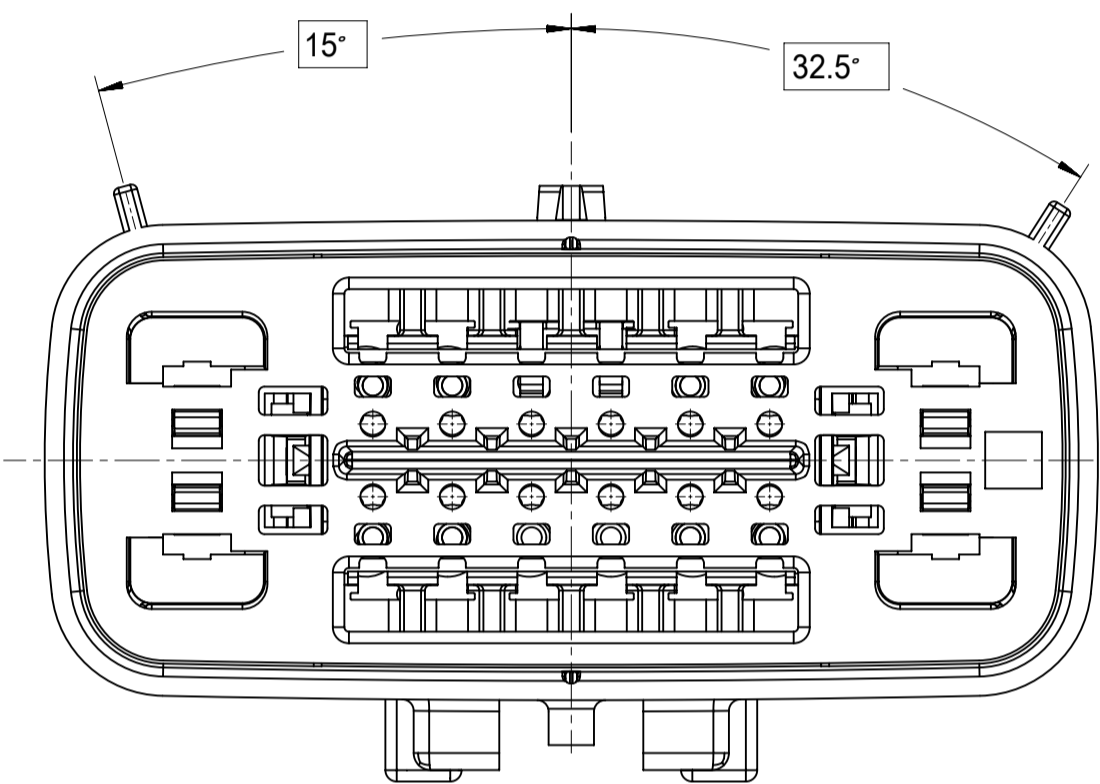
KEY A



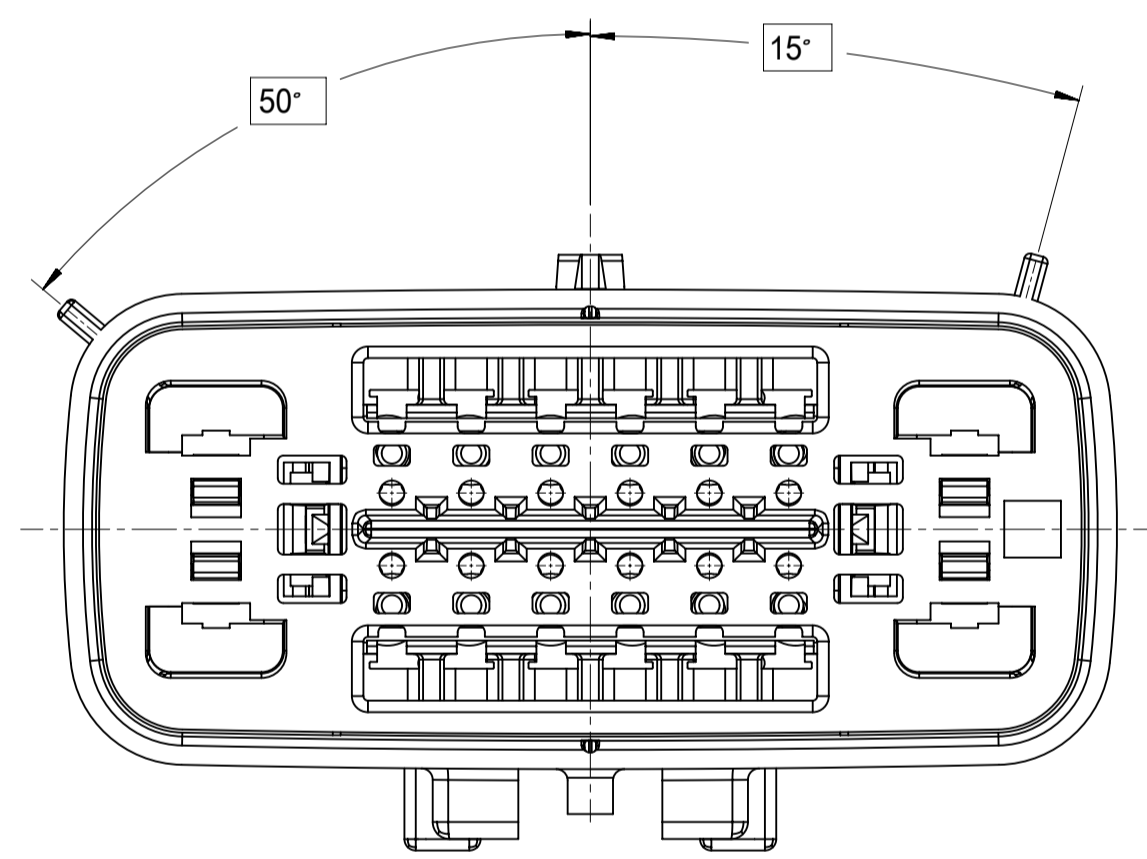
KEY E



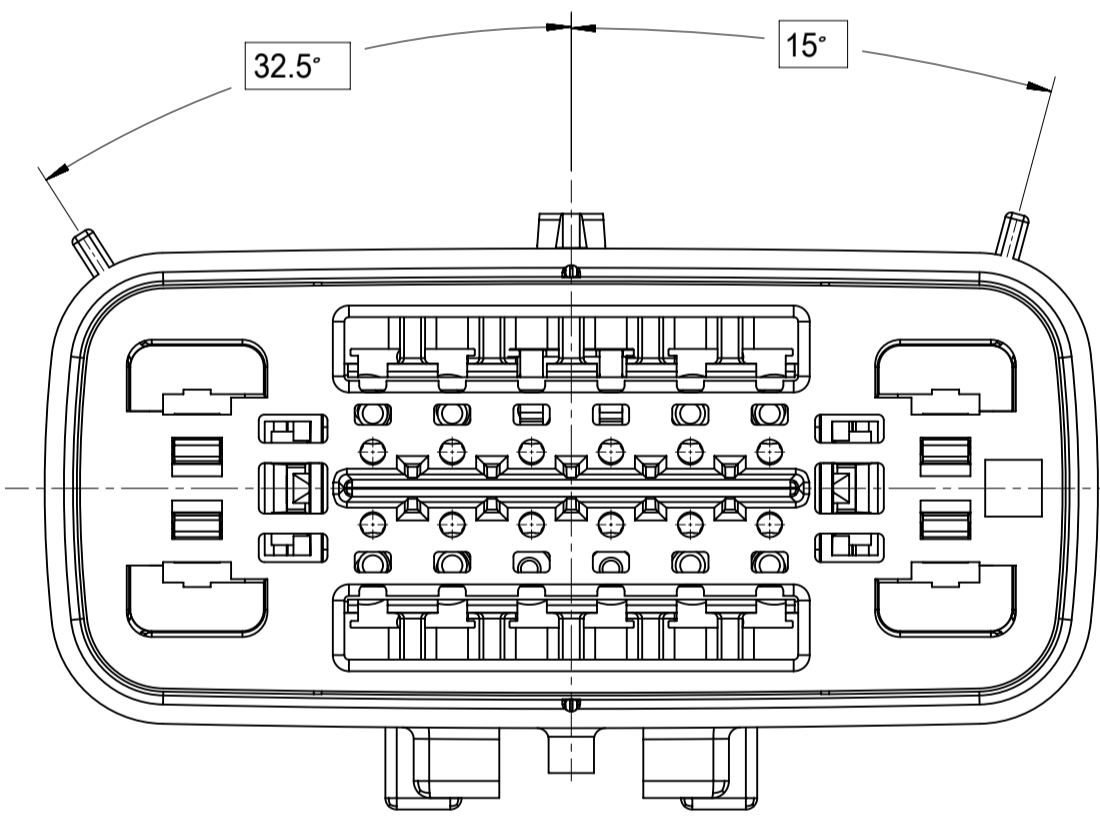
KEY B



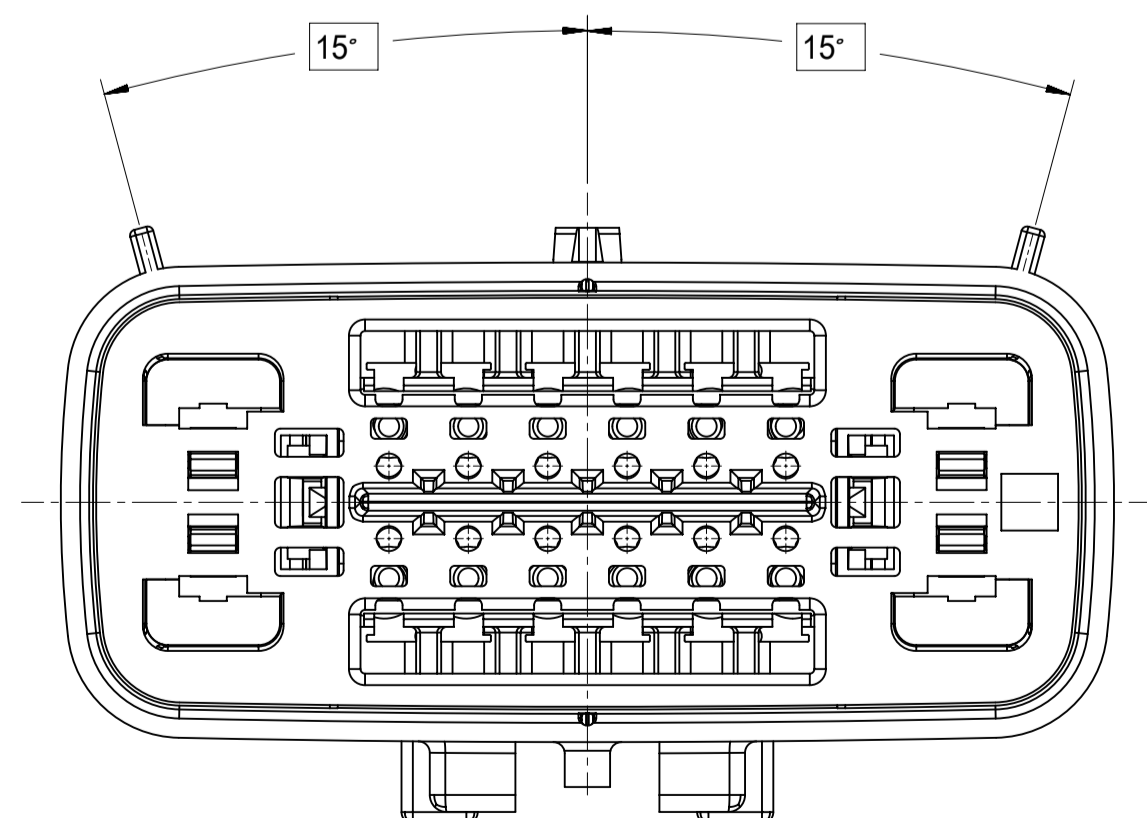
KEY F



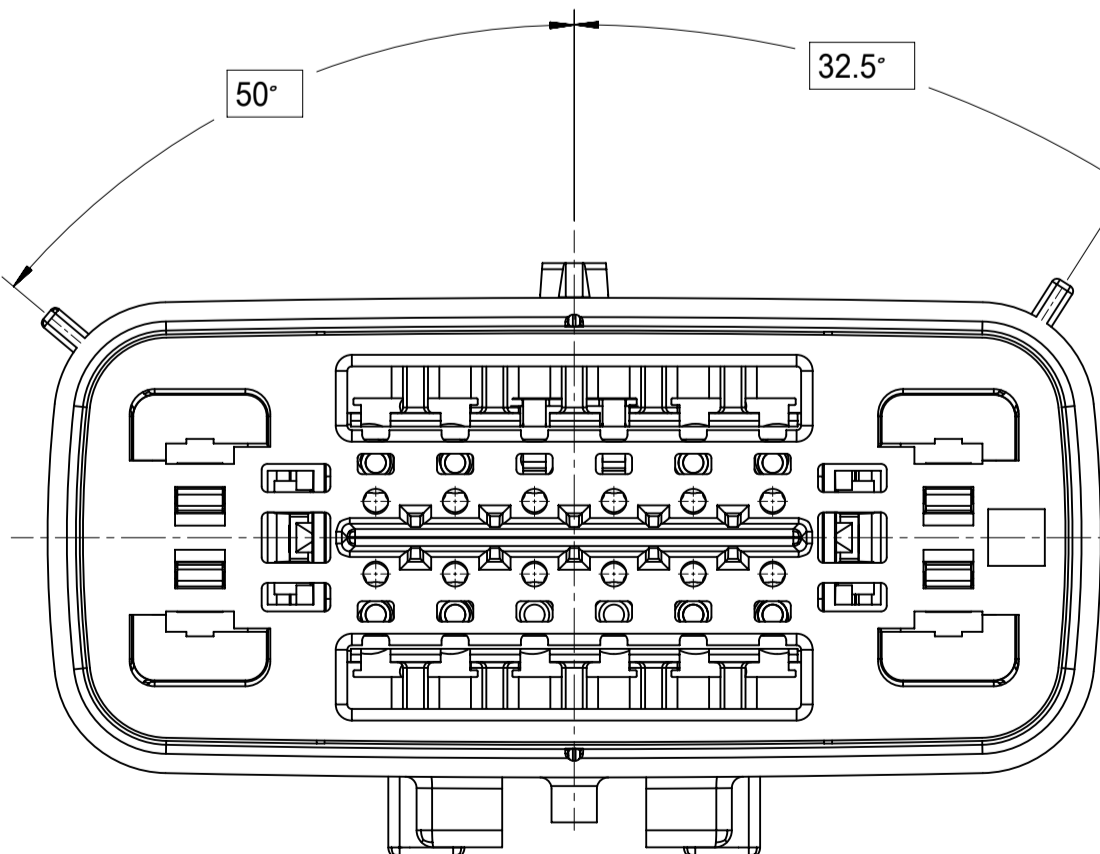
KEY C



KEY G



KEY D



KEY H

SYMBOLS	THIS DRAWING CONTAINS INFORMATION THAT IS PROPRIETARY TO MOLEX ELECTRONIC TECHNOLOGIES, LLC AND SHOULD NOT BE USED WITHOUT WRITTEN PERMISSION		CURRENT REV DESC:	
	DIMENSION UNITS	SCALE		
▽ = 0	mm	3:1		
▽ = 0	GENERAL TOLERANCES (UNLESS SPECIFIED)			
▽ = 0	ANGULAR TOL ± 3.0°			
▽ = 0	4 PLACES	±	EC NO: 177763	
▽ = 0	3 PLACES	±	DRWN: LSONG05 2018/05/30	
▽ = 0	2 PLACES	± 0.1	CHK'D: MVANSLAMBROU 2018/06/12	
▽ = 0	1 PLACE	± 0.3	APPR: MVANSLAMBROU 2018/06/12	
▽ = 0	0 PLACES	±	INITIAL REVISION:	
⊠ = 0	DRAFT WHERE APPLICABLE MUST REMAIN WITHIN DIMENSIONS		THIRD ANGLE PROJECTION	
▽ = 0			DRAWING	SERIES
		A1-SIZE		34986
DOCUMENT STATUS		P1	RELEASE DATE	2018/06/12 12:37:30
		DOCUMENT NUMBER		DOC TYPE DOC PART REVISION
		SD-34986-8001		PSD 001 C1
		MATERIAL NUMBER		CUSTOMER
		GENERAL MARKET		SHEET NUMBER
				3 OF 5

molex

MX150 16 WAY HYBRID
BLADE SEALED ASSEMBLY

PRODUCT CUSTOMER DRAWING

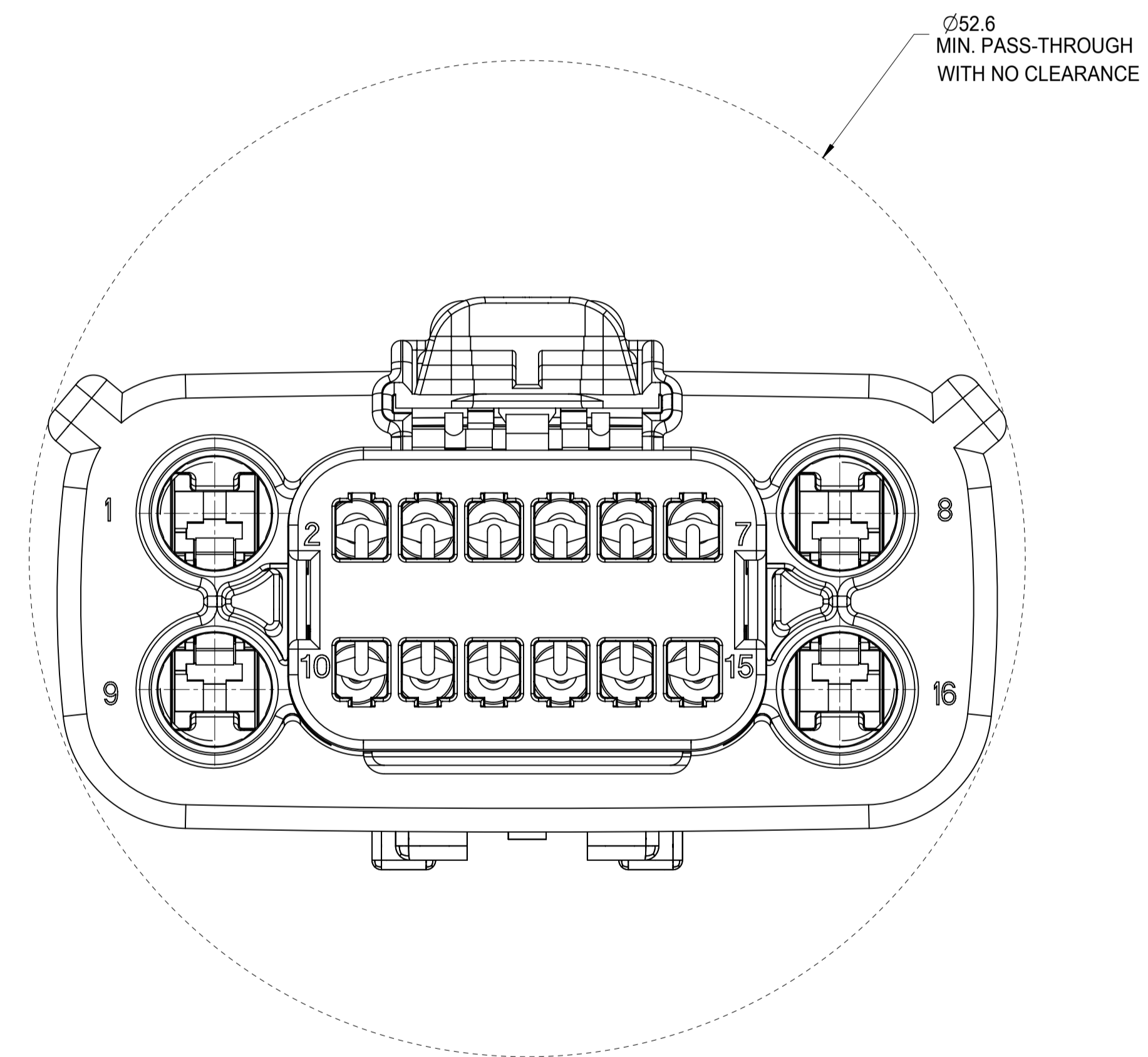
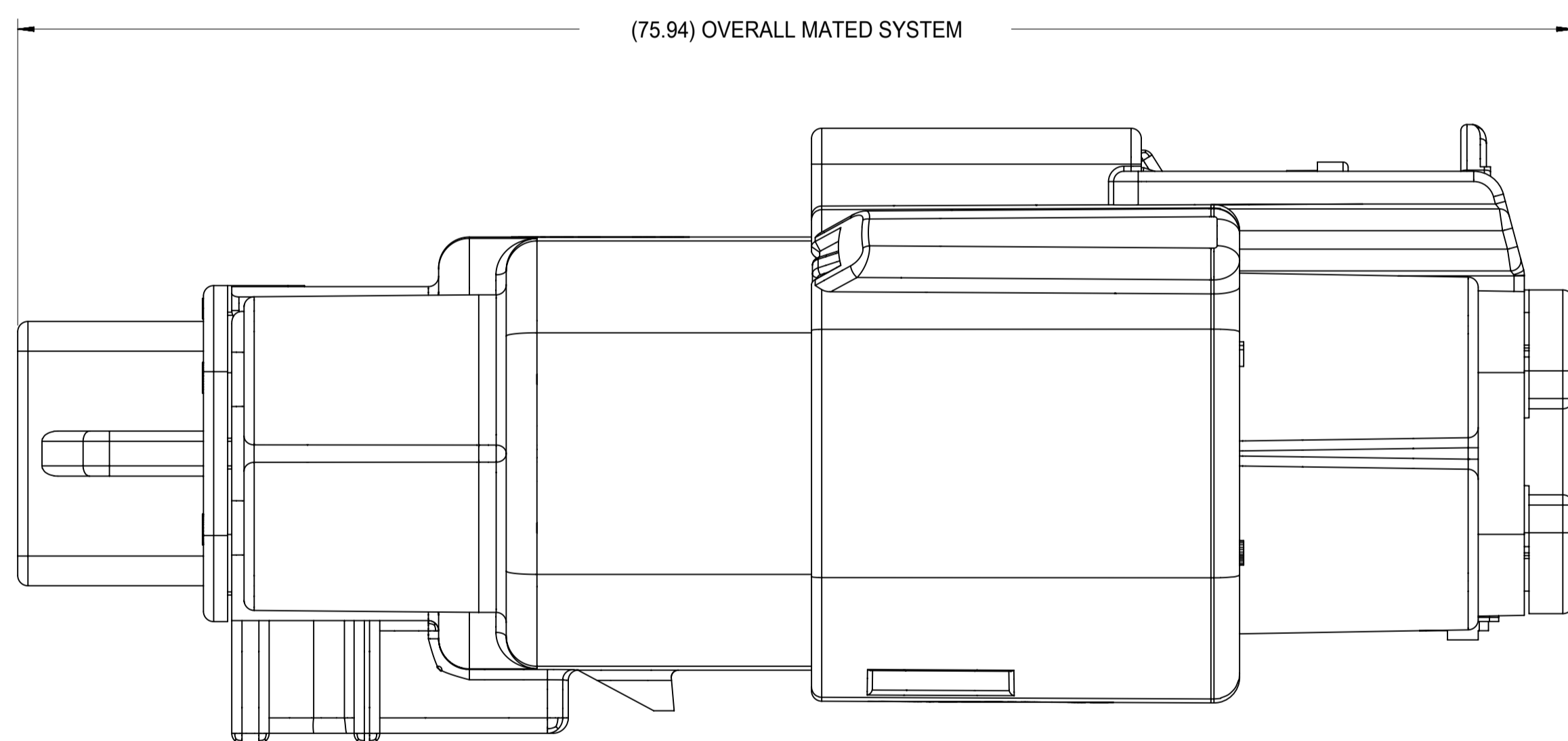
SD-34986-8001

GENERAL MARKET

3 OF 5

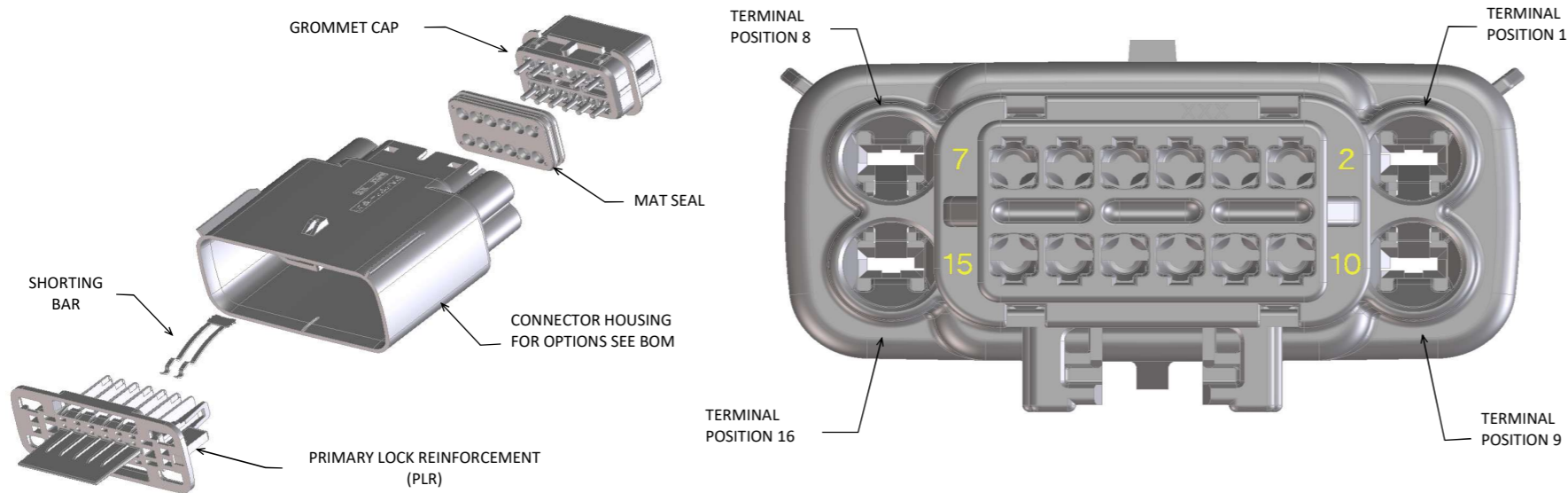
SHEET DESCRIPTION

SYSTEM PACKAGING



SYMBOLS		THIS DRAWING CONTAINS INFORMATION THAT IS PROPRIETARY TO MOLEX ELECTRONIC TECHNOLOGIES, LLC AND SHOULD NOT BE USED WITHOUT WRITTEN PERMISSION		CURRENT REV DESC:		molex	
▽ = 0	DIMENSION UNITS	mm	SCALE	3:1		MX150 16 WAY HYBRID BLADE SEALED ASSEMBLY	
▽ = 0	GENERAL TOLERANCES (UNLESS SPECIFIED)		EC NO: 177763		PRODUCT CUSTOMER DRAWING		
▽ = 0	ANGULAR TOL ± 3.0°		DRWN: LSONG05 2018/05/30		DOCUMENT NUMBER		DOC TYPE DOC PART REVISION
▽ = 0	4 PLACES ±		CHK'D: MVANSLAMBROU 2018/06/12		SD-34986-8001		PSD 001 C1
▽ = 0	3 PLACES ±		APPR: MVANSLAMBROU 2018/06/12		MATERIAL NUMBER		CUSTOMER
▽ = 0	2 PLACES ± 0.1		INITIAL REVISION:		SERIES		SHEET NUMBER
▽ = 0	1 PLACE ± 0.3		DRWN: APROFFITT 2013/05/06		34986		5 OF 5
▽ = 0	0 PLACES ±		APPR: VKOSHY 2013/05/16		GENERAL MARKET		
▽ = 0	DRAFT WHERE APPLICABLE MUST REMAIN WITHIN DIMENSIONS		THIRD ANGLE PROJECTION		DRAWING		
▽ = 0			A1-SIZE				

MX150 16 WAY HYBRID BLADE SEALED ASSEMBLY MAT SEAL (2.8mm CAVITIES OPEN)
BOM AND PIN OUT SHEET



ABBREVIATION	DESCRIPTION	COLOR	MATERIAL
A-BLK	HOUSING, KEYING OPTION A	BLACK	SPS/NYLON GF20
B-LG	HOUSING, KEYING OPTION B	LIGHT GRAY	SPS/NYLON GF20
C-BR	HOUSING, KEYING OPTION C	BROWN	SPS/NYLON GF20
D-GR	HOUSING, KEYING OPTION D	GREEN	SPS/NYLON GF20
A-YW	HOUSING, KEYING OPTION A	YELLOW	SPS/NYLON GF20
C-DG	HOUSING, KEYING OPTION C	DARK GRAY	SPS/NYLON GF20
D-SG	HOUSING, KEYING OPTION D	STONE GRAY	SPS/NYLON GF20
E-BLK	HOUSING, KEYING OPTION E	BLACK	SPS/NYLON GF20
F-LG	HOUSING, KEYING OPTION F*	LIGHT GRAY	SPS/NYLON GF20
G-BR	HOUSING, KEYING OPTION G	BROWN	SPS/NYLON GF20
H-YW	HOUSING, KEYING OPTION H	YELLOW	SPS/NYLON GF20
GC-S	STANDARD GROMMET CAP	BLACK	SPS/NYLON GF20
GC-SB1	SHORTING BAR GROMMET CAP 1	BLACK	SPS/NYLON GF20
GC-SB2	SHORTING BAR GROMMET CAP 2	BLACK	SPS/NYLON GF20
GC-SB3	SHORTING BAR GROMMET CAP 3	BLACK	SPS/NYLON GF20
GC-SB4	SHORTING BAR GROMMET CAP 4	BLACK	SPS/NYLON GF20
GC-SB5	SHORTING BAR GROMMET CAP 5	BLACK	SPS/NYLON GF20
GC-SB6	SHORTING BAR GROMMET CAP 6	BLACK	SPS/NYLON GF20
SB	SHORTING BAR	GOLD PL	30100 STAINLESS STEEL
PLR	PLR	NATURAL	SPS/NYLON GF20
M	MAT SEAL	RUST RED	INHERENTLY LUBRICATED SILICONE

CLIPSLOT TYPE "A" STANDARD FOR ALL KEYING OPTIONS
*CLIPSLOT TYPE "B" OPTIONAL

FOR ADDITIONAL INFORMATION SEE SD-34986-8001

ASSEMBLY DESCRIPTION	ASSEMBLY PART NUMBER	COMPONENT					BLOCKED TERMINALS																STATUS	COMMENTS	OPTIONAL ATTACHMENTS SOLD SEPERATELY				
		THE PRESENCE OF AN ABBREVIATION INDICATES THE PRESENCE OF THAT COMPONENT.					CAVITY WITH A NUMBER INDICATES BLOCKED TERMINAL POSITION CAVITY WITHOUT A NUMBER INDICATES OPEN TERMINAL POSITION																		BACKSHELL WITH RIBS	BACKSHELL WITHOUT RIBS			
		HOUSING KEY/COLOR	GROMMET CAP	PLR	MAT SEAL	SB QTY	1	2	3	4	5	6	7	8	9	10	11	12	13	14	15	16							
KEY A, BLACK	34986-1601	A-BLK	GC-S	PLR	M																					SALEABLE		349531610	NOT AVAILABLE
KEY B, LIGHT GRAY	34986-1602	B-LG	GC-S	PLR	M																					SALEABLE		349531610	NOT AVAILABLE
KEY C, BROWN	34986-1603	C-BR	GC-S	PLR	M																					NOT RECOMMENDED	SEE 34986-1959	349531610	NOT AVAILABLE
KEY D, GREEN	34986-1604	D-GR	GC-S	PLR	M																					NOT RECOMMENDED	SEE 34986-1960	349531610	NOT AVAILABLE
KEY A, YELLOW	34986-1605	A-YW	GC-S	PLR	M																					SALEABLE		349531610	NOT AVAILABLE
KEY A, BLACK	34986-1606	A-BLK	GC-S	PLR	M																					SALEABLE		349531610	NOT AVAILABLE
KEY B, LIGHT GRAY	34986-1607	B-LG	GC-S	PLR	M																					SALEABLE		349531610	NOT AVAILABLE
KEY C, BROWN	34986-1608	C-BR	GC-S	PLR	M																					NOT RECOMMENDED		349531610	NOT AVAILABLE
KEY D, GREEN	34986-1609	D-GR	GC-S	PLR	M																					NOT RECOMMENDED		349531610	NOT AVAILABLE
KEY A, YELLOW	34986-1610	A-YW	GC-S	PLR	M																					SALEABLE		349531610	NOT AVAILABLE
KEY A, BLACK	34986-1611	A-BLK	GC-S	PLR	M																					SALEABLE		349531610	NOT AVAILABLE
KEY B, LIGHT GRAY	34986-1612	B-LG	GC-S	PLR	M																					SALEABLE		349531610	NOT AVAILABLE
KEY C, BROWN	34986-1613	C-BR	GC-S	PLR	M																					NOT RECOMMENDED		349531610	NOT AVAILABLE
KEY D, GREEN	34986-1614	D-GR	GC-S	PLR	M																					NOT RECOMMENDED		349531610	NOT AVAILABLE
KEY A, YELLOW	34986-1615	A-YW	GC-S	PLR	M																					SALEABLE		349531610	NOT AVAILABLE
KEY A, BLACK	34986-1621	A-BLK	GC-S	PLR	M																					SALEABLE		349531610	NOT AVAILABLE
KEY A, BLACK	34986-1626	A-BLK	GC-S	PLR	M																					SALEABLE		349531610	NOT AVAILABLE
KEY A, BLACK	34986-1631	A-BLK	GC-S	PLR	M																					SALEABLE		349531610	NOT AVAILABLE
KEY A, BLACK	34986-1636	A-BLK	GC-S	PLR	M																					SALEABLE		349531610	NOT AVAILABLE
KEY A, BLACK	34986-1641	A-BLK	GC-S	PLR	M																					SALEABLE		349531610	NOT AVAILABLE
KEY A, BLACK	34986-1646	A-BLK	GC-S	PLR	M																					SALEABLE		349531610	NOT AVAILABLE
KEY A, BLACK	34986-1651	A-BLK	GC-S	PLR	M																					SALEABLE		349531610	NOT AVAILABLE
KEY A, BLACK	34986-1656	A-BLK	GC-S	PLR	M																					SALEABLE		349531610	NOT AVAILABLE
KEY A, BLACK	34986-1661	A-BLK	GC-S	PLR	M																					SALEABLE		349531610	NOT AVAILABLE
KEY A, BLACK	34986-1666	A-BLK	GC-S	PLR	M																					SALEABLE		349531610	NOT AVAILABLE
KEY A, BLACK	34986-1671	A-BLK	GC-S	PLR	M																					SALEABLE		349531610	NOT AVAILABLE
KEY A, BLACK	34986-1672	A-BLK	GC-S	PLR	M																					SALEABLE		349531610	NOT AVAILABLE
KEY E, BLACK, WITH S.B.	34986-1701	E-BLK	GC-SB1	PLR	M	2																				SALEABLE		349531610	NOT AVAILABLE
KEY F, LIGHT GRAY, WITH S.B.	34986-1702	F-LG	GC-SB1	PLR	M	2																				SALEABLE		349531610	NOT AVAILABLE
KEY G, BROWN, WITH S.B.	34986-1703	G-BR	GC-SB1	PLR	M	2																				SALEABLE		349531610	NOT AVAILABLE
KEY H, YELLOW, WITH S.B.	34986-1704	H-YW	GC-SB1	PLR	M	2																				SALEABLE		349531610	NOT AVAILABLE
KEY H, YELLOW, WITH S.B.	34986-1708	H-YW	GC-SB1	PLR	M	2																				SALEABLE		349531610	NOT AVAILABLE
KEY H, YELLOW, WITH S.B.	34986-1710	H-YW	GC-SB1	PLR	M	2																				SALEABLE		349531610	NOT AVAILABLE
KEY H, YELLOW, WITH S.B.	34986-1712	H-YW	GC-SB1	PLR	M	2																				SALEABLE		349531610	NOT AVAILABLE
KEY E, BLACK, WITH S.B.	34986-1714	E-BLK	GC-SB2	PLR	M	1																				SALEABLE		349531610	NOT AVAILABLE
KEY B, LIGHT GRAY	34986-1715	B-LG	GC-S	PLR	M																					SALEABLE		349531610	NOT AVAILABLE
KEY A, BLACK	34986-1716	A-BLK	GC-S	PLR	M																					SALEABLE		349531610	NOT AVAILABLE
KEY A, BLACK	34986-1717	A-BLK	GC-S	PLR	M																					SALEABLE		349531610	NOT AVAILABLE
KEY A, BLACK	34986-1718	A-BLK	GC-S	PLR	M																					SALEABLE		349531610	NOT AVAILABLE
KEY A, BLACK	34986-1719	A-BLK	GC-S	PLR	M																					SALEABLE		349531610	NOT AVAILABLE
KEY A, BLACK	34986-1720	A-BLK	GC-S	PLR	M																					SALEABLE		349531610	NOT AVAILABLE
KEY F, LIGHT GRAY, WITH S.B.	34986-1721	F-LG	GC-SB2	PLR	M	1																				SALEABLE		349531610	NOT AVAILABLE
KEY F, LIGHT GRAY, WITH S.B.	34986-1722	F-LG	GC-SB2	PLR	M	1																				SALEABLE		349531610	NOT AVAILABLE
KEY F, LIGHT GRAY, WITH S.B.	34986-1723	F-LG	GC-SB2	PLR	M	1																				SALEABLE		349531610	NOT AVAILABLE
KEY F, LIGHT GRAY, WITH S.B.	34986-1724	F-LG	GC-SB2	PLR	M	1																				SALEABLE		349531610	NOT AVAILABLE
KEY F, LIGHT GRAY, WITH S.B.	34986-1725	F-LG	GC-SB2	PLR	M	1																				SALEABLE		349531610	NOT AVAILABLE
KEY F, LIGHT GRAY, WITH S.B.	34986-1726	F-LG	GC-SB2	PLR	M	1																				SALEABLE		349531610	NOT AVAILABLE
KEY F, LIGHT GRAY, WITH S.B.	34986-1727	F-LG	GC-SB2	PLR	M	1																				SALEABLE		349531610	NOT AVAILABLE
KEY F, LIGHT GRAY, WITH S.B.	34986-1728	F-LG	GC-SB2	PLR	M	1																				SALEABLE		349531610	NOT AVAILABLE
KEY F, LIGHT GRAY	34986-1729	F-LG	GC-S	PLR	M																					SALEABLE		349531610	NOT AVAILABLE
KEY F, LIGHT GRAY, WITH S.B.	34986-1731	F-LG	GC-SB2	PLR	M	1																				SALEABLE		349531610	NOT AVAILABLE
KEY A, BLACK	34986-1732	A-BLK	GC-S	PLR	M																					SALEABLE		349531610	NOT AVAILABLE
KEY E, BLACK, WITH S.B.	34986-1733	E-BLK	GC-SB3	PLR	M	4																				SALEABLE		349531610	NOT AVAILABLE
KEY E, BLACK, WITH S.B.	34986-1734	E-BLK	GC-SB4	PLR	M	3																				SALEABLE		349531610	NOT AVAILABLE
KEY E, BLACK, WITH S.B.	34986-1739	E-BLK	GC-SB1	PLR	M	2																				SALEABLE		349531610	NOT AVAILABLE
KEY E, BLACK, WITH S.B.	34986-1740	E-BLK	GC-SB1	PLR	M	2																				SALEABLE		349531610	NOT AVAILABLE
KEY E, BLACK, WITH S.B.	34986-1741	E-BLK	GC-SB1	PLR	M	2																				SALEABLE		349531610	NOT AVAILABLE
KEY E, BLACK, WITH S.B.	34986-1742	E-BLK	GC-SB1	PLR	M	2																				SALEABLE		349531610	NOT AVAILABLE

MX150 16 WAY HYBRID BLADE SEALED ASSEMBLY MAT SEAL (2.8mm CAVITIES OPEN)
BOM AND PIN OUT SHEET

ASSEMBLY DESCRIPTION	ASSEMBLY PART NUMBER	COMPONENT					BLOCKED TERMINALS																STATUS	COMMENTS	OPTIONAL ATTACHMENTS SOLD SEPARATELY			
		THE PRESENCE OF AN ABBREVIATION INDICATES THE PRESENCE OF THAT COMPONENT.					CAVITY WITH A NUMBER INDICATES BLOCKED TERMINAL POSITION CAVITY WITHOUT A NUMBER INDICATES OPEN TERMINAL POSITION																		BACKSHELL WITH RIBS	BACKSHELL WITHOUT RIBS		
		HOUSING KEY/COLOR	GROMMET CAP	PLR	MAT SEAL	SB QTY	1	2	3	4	5	6	7	8	9	10	11	12	13	14	15	16						
KEY B, LIGHT GRAY	34986-1834	B-LG	GC-5	PLR	M				3	4	5														SALEABLE		349531610	NOT AVAILABLE
KEY B, LIGHT GRAY	34986-1835	B-LG	GC-5	PLR	M				3	4	5				10	11	12	13	14	15					SALEABLE		349531610	NOT AVAILABLE
KEY B, LIGHT GRAY	34986-1836	B-LG	GC-5	PLR	M						5														SALEABLE		349531610	NOT AVAILABLE
KEY A, BLACK	34986-1837	A-BLK	GC-5	PLR	M				3						10	11									SALEABLE		349531610	NOT AVAILABLE
KEY E, BLACK	34986-1838	E-BLK	GC-5	PLR	M										10	11				14					SALEABLE		349531610	NOT AVAILABLE
KEY E, BLACK	34986-1839	E-BLK	GC-5	PLR	M										10	11				14					SALEABLE		349531610	NOT AVAILABLE
KEY H, YELLOW, WITH S.B.	34986-1840	H-YW	GC-SB5	PLR	M	5		SB	SB	SB	SB	SB	SB	SB	SB	SB	SB	SB	SB						SALEABLE		349531610	NOT AVAILABLE
KEY A, BLACK	34986-1841	A-BLK	GC-5	PLR	M															14					SALEABLE		349531610	NOT AVAILABLE
KEY A, BLACK	34986-1842	A-BLK	GC-5	PLR	M																				SALEABLE		349531610	NOT AVAILABLE
KEY A, BLACK	34986-1843	A-BLK	GC-5	PLR	M						5				10										SALEABLE		349531610	NOT AVAILABLE
KEY A, BLACK	34986-1844	A-BLK	GC-5	PLR	M			2			4														SALEABLE		349531610	NOT AVAILABLE
KEY A, BLACK	34986-1845	A-BLK	GC-5	PLR	M																				SALEABLE		349531610	NOT AVAILABLE
KEY A, BLACK	34986-1846	A-BLK	GC-5	PLR	M			2	3	4	5	6	7				11	12	13	14	15				SALEABLE		349531610	NOT AVAILABLE
KEY A, BLACK	34986-1847	A-BLK	GC-5	PLR	M			2	3	4	5														SALEABLE		349531610	NOT AVAILABLE
KEY A, BLACK	34986-1848	A-BLK	GC-5	PLR	M			2	3	4	5														SALEABLE		349531610	NOT AVAILABLE
KEY A, BLACK	34986-1849	A-BLK	GC-5	PLR	M						5	6	7												SALEABLE		349531610	NOT AVAILABLE
KEY A, BLACK	34986-1850	A-BLK	GC-5	PLR	M			2				5	6	7											SALEABLE		349531610	NOT AVAILABLE
KEY A, BLACK	34986-1851	A-BLK	GC-5	PLR	M			2							10										SALEABLE		349531610	NOT AVAILABLE
KEY A, BLACK	34986-1852	A-BLK	GC-5	PLR	M			2	3	4					10	11	12	13	14	15					SALEABLE		349531610	NOT AVAILABLE
KEY A, BLACK	34986-1853	A-BLK	GC-5	PLR	M				3	4	5	6	7												SALEABLE		349531610	NOT AVAILABLE
KEY A, BLACK	34986-1854	A-BLK	GC-5	PLR	M			2		4	5				10										SALEABLE		349531610	NOT AVAILABLE
KEY A, BLACK	34986-1855	A-BLK	GC-5	PLR	M			2	3						10										SALEABLE		349531610	NOT AVAILABLE
KEY A, BLACK	34986-1856	A-BLK	GC-5	PLR	M			2							10	11									SALEABLE		349531610	NOT AVAILABLE
KEY A, BLACK	34986-1857	A-BLK	GC-5	PLR	M																				SALEABLE		349531610	NOT AVAILABLE
KEY A, BLACK	34986-1858	A-BLK	GC-5	PLR	M																				SALEABLE		349531610	NOT AVAILABLE
KEY A, BLACK	34986-1859	A-BLK	GC-5	PLR	M																				SALEABLE		349531610	NOT AVAILABLE
KEY A, BLACK	34986-1860	A-BLK	GC-5	PLR	M				3						10										SALEABLE		349531610	NOT AVAILABLE
KEY A, BLACK	34986-1861	A-BLK	GC-5	PLR	M			2	3	4	5	6	7												SALEABLE		349531610	NOT AVAILABLE
KEY A, BLACK	34986-1862	A-BLK	GC-5	PLR	M			2		4															SALEABLE		349531610	NOT AVAILABLE
KEY A, BLACK	34986-1863	A-BLK	GC-5	PLR	M			2																	SALEABLE		349531610	NOT AVAILABLE
KEY A, BLACK	34986-1864	A-BLK	GC-5	PLR	M					3	4				10	11									SALEABLE		349531610	NOT AVAILABLE
KEY A, BLACK	34986-1865	A-BLK	GC-5	PLR	M				3	4					10	11	12	13	14	15					SALEABLE		349531610	NOT AVAILABLE
KEY A, BLACK	34986-1866	A-BLK	GC-5	PLR	M				3	4					10	11									SALEABLE		349531610	NOT AVAILABLE
KEY A, BLACK	34986-1867	A-BLK	GC-5	PLR	M							6	7												SALEABLE		349531610	NOT AVAILABLE
KEY A, BLACK	34986-1868	A-BLK	GC-5	PLR	M					3															SALEABLE		349531610	NOT AVAILABLE
KEY A, BLACK	34986-1869	A-BLK	GC-5	PLR	M																				SALEABLE		349531610	NOT AVAILABLE
KEY A, BLACK	34986-1870	A-BLK	GC-5	PLR	M			2																	SALEABLE		349531610	NOT AVAILABLE
KEY E, BLACK, WITH S.B.	34986-1871	E-BLK	GC-SB1	PLR	M	2		2	3	SB	SB	6	7												SALEABLE		349531610	NOT AVAILABLE
KEY A, BLACK	34986-1872	A-BLK	GC-5	PLR	M					3					10	11	12	13	14	15					SALEABLE		349531610	NOT AVAILABLE
KEY H, YELLOW, WITH S.B.	34986-1873	H-YW	GC-SB2	PLR	M	1		2	3	SB	SB	6	7												SALEABLE		349531610	NOT AVAILABLE
KEY H, YELLOW, WITH S.B.	34986-1874	H-YW	GC-SB2	PLR	M	1		2	3	SB	SB	6	7												SALEABLE		349531610	NOT AVAILABLE
KEY H, YELLOW, WITH S.B.	34986-1875	H-YW	GC-SB2	PLR	M	1		2	3	SB	SB	6	7												SALEABLE		349531610	NOT AVAILABLE
KEY H, YELLOW, WITH S.B.	34986-1876	H-YW	GC-SB2	PLR	M	1		2	3	SB	SB	6	7												SALEABLE		349531610	NOT AVAILABLE
KEY H, YELLOW, WITH S.B.	34986-1877	H-YW	GC-SB2	PLR	M	1		2	3	SB	SB	6	7												SALEABLE		349531610	NOT AVAILABLE
KEY H, YELLOW, WITH S.B.	34986-1878	H-YW	GC-SB2	PLR	M	1		2	3	SB	SB	6	7												SALEABLE		349531610	NOT AVAILABLE
KEY H, YELLOW, WITH S.B.	34986-1879	H-YW	GC-SB2	PLR	M	1				SB	SB				10	11	12	13							SALEABLE		349531610	NOT AVAILABLE
KEY H, YELLOW, WITH S.B.	34986-1880	H-YW	GC-SB2	PLR	M	1				SB	SB				10	11	12	13	14	15					SALEABLE		349531610	NOT AVAILABLE
KEY H, YELLOW, WITH S.B.	34986-1881	H-YW	GC-SB2	PLR	M	1				SB	SB														SALEABLE		349531610	NOT AVAILABLE
KEY B, LIGHT GRAY	34986-1882	B-LG	GC-5	PLR	M										10	11	12	13	14	15					SALEABLE		349531610	NOT AVAILABLE
KEY A, BLACK	34986-1883	A-BLK	GC-5	PLR	M			2							10	11	12	13							SALEABLE		349531610	NOT AVAILABLE
KEY H, YELLOW, WITH S.B.	34986-1884	H-YW	GC-SB2	PLR	M	1				SB	SB														SALEABLE		349531610	NOT AVAILABLE
KEY H, YELLOW, WITH S.B.	34986-1885	H-YW	GC-SB2	PLR	M	1				SB	SB	6	7												SALEABLE		349531610	NOT AVAILABLE
KEY A, BLACK	34986-1886	A-BLK	GC-5	PLR	M			2	3	4															SALEABLE		349531610	NOT AVAILABLE
KEY A, BLACK	34986-1887	A-BLK	GC-5	PLR	M										10	11									SALEABLE		349531610	NOT AVAILABLE
KEY A, BLACK	34986-1888	A-BLK	GC-5	PLR	M										10	11	12	13	14	15					SALEABLE		349531610	NOT AVAILABLE
KEY A, BLACK	34986-1889	A-BLK	GC-5	PLR	M										10	11	12	13	14	15					SALEABLE		349531610	NOT AVAILABLE
KEY A, BLACK	34986-1890	A-BLK	GC-5	PLR	M			2							10	11	12	13							SALEABLE		349531610	NOT AVAILABLE
KEY A, BLACK	34986-1891	A-BLK	GC-5	PLR	M			2							10	11	12								SALEABLE		349531610	NOT AVAILABLE
KEY A, BLACK	34986-1892	A-BLK	GC-5	PLR	M					3															SALEABLE		349531610	NOT AVAILABLE
KEY A, BLACK	34986-1893	A-BLK	GC-5	PLR	M			2							10	11	12	13	14	15					SALEABLE		349531610	NOT AVAILABLE
KEY A, BLACK	34986-1894	A-BLK	GC-5	PLR	M			2							10	11	12	13	14	15					SALEABLE		349531610	NOT AVAILABLE
KEY A, BLACK	34986-1895	A-BLK	GC-5	PLR	M			2	3	4	5	6	7												SALEABLE		349531610	NOT AVAILABLE
KEY A, BLACK	34986-1900	A-BLK	GC-5	PLR	M			2	3																SALEABLE		349531610	NOT AVAILABLE
KEY A, BLACK	34986-1901	A-BLK	GC-5	PLR	M					3															SALEABLE		349531610	NOT AVAILABLE
KEY A, BLACK	34986-1902	A-BLK	GC-5	PLR	M						4														SALEABLE		349531610	NOT AVAILABLE
KEY A, BLACK	34986-1903	A-BLK	GC-5	PLR	M			2																	SALEABLE		349531610	NOT AVAILABLE
KEY A, BLACK	34986-1904	A-BLK	GC-5	PLR	M						4														SALEABLE		349531610	NOT AVAILABLE
KEY A, BLACK	34986-1905	A-BLK	GC-5	PLR	M			2																				

MX150 16 WAY HYBRID BLADE SEALED ASSEMBLY MAT SEAL (2.8mm CAVITIES OPEN)
BOM AND PIN OUT SHEET

ASSEMBLY DESCRIPTION	ASSEMBLY PART NUMBER	COMPONENT					BLOCKED TERMINALS																STATUS	COMMENTS	OPTIONAL ATTACHMENTS SOLD SEPARATELY		
		THE PRESENCE OF AN ABBREVIATION INDICATES THE PRESENCE OF THAT COMPONENT.					CAVITY WITH A NUMBER INDICATES BLOCKED TERMINAL POSITION CAVITY WITHOUT A NUMBER INDICATES OPEN TERMINAL POSITION																		BACKSHELL WITH RIBS	BACKSHELL WITHOUT RIBS	
		HOUSING KEY/COLOR	GROMMET CAP	PLR	MAT SEAL	SB QTY	1	2	3	4	5	6	7	8	9	10	11	12	13	14	15	16					
KEY B, LIGHT GRAY	34986-1928	B-LG	GC-5	PLR	M			2	3	4	5	6	7			10	11	12	13	14	15		SALEABLE		349531610	NOT AVAILABLE	
KEY B, LIGHT GRAY	34986-1929	B-LG	GC-5	PLR	M							6	7											SALEABLE		349531610	NOT AVAILABLE
KEY A, BLACK	34986-1930	A-BLK	GC-5	PLR	M			2			5	6				10	11	12	13		15		SALEABLE		349531610	NOT AVAILABLE	
KEY A, BLACK	34986-1931	A-BLK	GC-5	PLR	M			2		4	5					10		12	13				SALEABLE		349531610	NOT AVAILABLE	
KEY A, BLACK	34986-1932	A-BLK	GC-5	PLR	M			2		4								12	13				SALEABLE		349531610	NOT AVAILABLE	
KEY A, BLACK	34986-1933	A-BLK	GC-5	PLR	M			2				6						12	13	14	15		SALEABLE		349531610	NOT AVAILABLE	
KEY A, BLACK	34986-1934	A-BLK	GC-5	PLR	M						5	6	7			10	11	12	13	14	15		SALEABLE		349531610	NOT AVAILABLE	
KEY A, BLACK	34986-1935	A-BLK	GC-5	PLR	M				3	4		6				10	11	12	13	14	15		SALEABLE		349531610	NOT AVAILABLE	
KEY A, BLACK	34986-1936	A-BLK	GC-5	PLR	M			2			5					11		13			15		SALEABLE		349531610	NOT AVAILABLE	
KEY A, BLACK	34986-1937	A-BLK	GC-5	PLR	M			2			5					10	11		13		15		SALEABLE		349531610	NOT AVAILABLE	
KEY A, BLACK	34986-1938	A-BLK	GC-5	PLR	M			2				6				10	11	12	13	14	15		SALEABLE		349531610	NOT AVAILABLE	
KEY A, BLACK	34986-1939	A-BLK	GC-5	PLR	M					4	5							12			15		SALEABLE		349531610	NOT AVAILABLE	
KEY A, BLACK	34986-1940	A-BLK	GC-5	PLR	M				3	4				7			10	11	12		14	15	SALEABLE		349531610	NOT AVAILABLE	
KEY A, BLACK	34986-1941	A-BLK	GC-5	PLR	M																	15	SALEABLE		349531610	NOT AVAILABLE	
KEY A, BLACK	34986-1942	A-BLK	GC-5	PLR	M			2	3		5		7			10	11	12	13	14	15		SALEABLE		349531610	NOT AVAILABLE	
KEY A, BLACK	34986-1943	A-BLK	GC-5	PLR	M							6	7				11		13				SALEABLE		349531610	NOT AVAILABLE	
KEY B, LIGHT GRAY	34986-1944	B-LG	GC-5	PLR	M					4									13				SALEABLE		349531610	NOT AVAILABLE	
KEY A, BLACK	34986-1945	A-BLK	GC-5	PLR	M				3	4						10	11	12					SALEABLE		349531610	NOT AVAILABLE	
KEY A, BLACK	34986-1946	A-BLK	GC-5	PLR	M							6					11		13				SALEABLE		349531610	NOT AVAILABLE	
KEY A, BLACK	34986-1947	A-BLK	GC-5	PLR	M			2	3			6					11		13				SALEABLE		349531610	NOT AVAILABLE	
KEY A, BLACK	34986-1948	A-BLK	GC-5	PLR	M					4											14		SALEABLE		349531610	NOT AVAILABLE	
KEY B, LIGHT GRAY	34986-1949	B-LG	GC-5	PLR	M					4													SALEABLE		349531610	NOT AVAILABLE	
KEY A, BLACK	34986-1950	A-BLK	GC-5	PLR	M									7			10		13	14	15		SALEABLE		349531610	NOT AVAILABLE	
KEY A, BLACK	34986-1951	A-BLK	GC-5	PLR	M									7					13	14	15		SALEABLE		349531610	NOT AVAILABLE	
KEY A, BLACK	34986-1952	A-BLK	GC-5	PLR	M											10			13	14			SALEABLE		349531610	NOT AVAILABLE	
KEY A, BLACK	34986-1953	A-BLK	GC-5	PLR	M									7					13		15		SALEABLE		349531610	NOT AVAILABLE	
KEY H, YELLOW, WITH S.B.	34986-1954	H-YW	GC-SB1	PLR	M	2		2	3	SB	SB							SB	SB		15		SALEABLE		349531610	NOT AVAILABLE	
KEY A, BLACK	34986-1955	A-BLK	GC-5	PLR	M														13				SALEABLE		349531610	NOT AVAILABLE	
KEY A, BLACK	34986-1956	A-BLK	GC-5	PLR	M							6						12	13	14	15		SALEABLE		349531610	NOT AVAILABLE	
KEY A, BLACK	34986-1957	A-BLK	GC-5	PLR	M								7						13		15		SALEABLE		349531610	NOT AVAILABLE	
KEY A, BLACK	34986-1958	A-BLK	GC-5	PLR	M										10				13				SALEABLE		349531610	NOT AVAILABLE	
KEY C, DARK GRAY	34986-1959	C-DG	GC-5	PLR	M																		SALEABLE		349531610	NOT AVAILABLE	
KEY D, STONE GRAY	34986-1960	D-SG	GC-5	PLR	M																		SALEABLE		349531610	NOT AVAILABLE	
KEY A, YELLOW	34986-1961	A-YW	GC-5	PLR	M			2														15	SALEABLE		349531610	NOT AVAILABLE	
KEY F, LIGHT GRAY	34986-1962	F-LG	GC-5	PLR	M					4	5	6	7			10	11	12	13	14	15		SALEABLE		349531610	NOT AVAILABLE	
KEY F, LIGHT GRAY, WITH S.B.	34986-1963	F-LG	GC-SB1	PLR	M	2		2	3	SB	SB	6	7					SB	SB	14	15		SALEABLE		349531610	NOT AVAILABLE	
KEY F, LIGHT GRAY, WITH S.B.	34986-1964	F-LG	GC-SB1	PLR	M	2				SB	SB	6	7					SB	SB	14	15		SALEABLE		349531610	NOT AVAILABLE	
KEY A, BLACK	34986-1965	A-BLK	GC-5	PLR	M				3		5					10	11	12					SALEABLE		349531610	NOT AVAILABLE	
KEY A, BLACK	34986-1966	A-BLK	GC-5	PLR	M			2	3	4	5					10	11	12	13		15		SALEABLE		349531610	NOT AVAILABLE	
KEY A, BLACK	34986-1967	A-BLK	GC-5	PLR	M			2	3			6					11						SALEABLE		349531610	NOT AVAILABLE	
KEY B, LIGHT GRAY	34986-1968	B-LG	GC-5	PLR	M					4		6							13				SALEABLE		349531610	NOT AVAILABLE	
KEY A, BLACK	34986-1969	A-BLK	GC-5	PLR	M			2	3		5	6					11				15		SALEABLE		349531610	NOT AVAILABLE	
KEY A, BLACK	34986-1970	A-BLK	GC-5	PLR	M			2			5	6					11				15		SALEABLE		349531610	NOT AVAILABLE	
KEY A, BLACK	34986-1971	A-BLK	GC-5	PLR	M			2	3	4						10	11	12					SALEABLE		349531610	NOT AVAILABLE	
KEY A, BLACK	34986-1972	A-BLK	GC-5	PLR	M											10					15		SALEABLE		349531610	NOT AVAILABLE	
KEY A, BLACK	34986-1973	A-BLK	GC-5	PLR	M											10	11	12	13	14	15		SALEABLE		349531610	NOT AVAILABLE	
KEY A, BLACK	34986-1974	A-BLK	GC-5	PLR	M			2								10	11	12	13	14	15		SALEABLE		349531610	NOT AVAILABLE	
KEY E, BLACK	34986-1975	E-BLK	GC-5	PLR	M			2	3	4	5	6	7			10	11	12	13	14	15		SALEABLE		349531610	NOT AVAILABLE	
KEY A, BLACK	34986-1976	A-BLK	GC-5	PLR	M			2	3			6	7				10	11	12	13	14		SALEABLE		349531610	NOT AVAILABLE	
KEY A, BLACK	34986-1977	A-BLK	GC-5	PLR	M											10	11						SALEABLE		349531610	NOT AVAILABLE	
KEY A, BLACK	34986-1978	A-BLK	GC-5	PLR	M			2										12	13	14			SALEABLE		349531610	NOT AVAILABLE	
KEY A, BLACK	34986-1979	A-BLK	GC-5	PLR	M			2	3		5	6					11	12	13		15		SALEABLE		349531610	NOT AVAILABLE	
KEY A, BLACK	34986-1980	A-BLK	GC-5	PLR	M				3		5	6	7			10	11	12	13	14	15		SALEABLE		349531610	NOT AVAILABLE	
KEY A, BLACK	34986-1981	A-BLK	GC-5	PLR	M			2			5	6						12	13	14			SALEABLE		349531610	NOT AVAILABLE	
KEY A, BLACK	34986-1982	A-BLK	GC-5	PLR	M			2			5	6	7			10	11	12	13	14			SALEABLE		349531610	NOT AVAILABLE	
KEY A, BLACK	34986-1983	A-BLK	GC-5	PLR	M						5	6	7								15		SALEABLE		349531610	NOT AVAILABLE	
KEY A, BLACK	34986-1984	A-BLK	GC-5	PLR	M				3		5	6	7								15		SALEABLE		349531610	NOT AVAILABLE	
KEY A, BLACK	34986-1985	A-BLK	GC-5	PLR	M				3		5	6	7			10	11				15		SALEABLE		349531610	NOT AVAILABLE	
KEY A, BLACK	34986-1986	A-BLK	GC-5	PLR	M						5	6	7			10	11	12	13	14			SALEABLE		349531610	NOT AVAILABLE	
KEY A, BLACK	34986-1987	A-BLK	GC-5	PLR	M						5					10	11	12					SALEABLE		349531610	NOT AVAILABLE	
KEY A, BLACK	34986-1988	A-BLK	GC-5	PLR	M			2		4	5					10	11	12	13	14	15		SALEABLE		349531610	NOT AVAILABLE	
KEY A, BLACK	34986-1989	A-BLK	GC-5	PLR	M			2				6											SALEABLE		349531610	NOT AVAILABLE	
KEY A, BLACK	34986-1990	A-BLK	GC-5	PLR	M						5	6	7			10	11	12	13				SALEABLE		349531610	NOT AVAILABLE	
KEY A, BLACK	34986-1991	A-BLK	GC-5	PLR	M			2	3		5	6	7			10	11	12	13		15		SALEABLE		349531610	NOT AVAILABLE	
KEY A, BLACK	34986-1992	A-BLK	GC-5	PLR	M				3	4	5						11	12		14	15		SALEABLE		349531610	NOT AVAILABLE	
KEY A, BLACK	34986-1993	A-BLK	GC-5	PLR	M			2	3	4	5	6	7			10	11		13	14	15		SALEABLE		349531610	NOT AVAILABLE	
KEY A, BLACK	34986-1994	A-BLK	GC-5	PLR	M			2					7			10	11		13				SALEABLE		349531610	NOT AVAILABLE	
KEY A, BLACK	34986-1995	A-BLK	GC-5	PLR	M			2	3	4	5									14	15		SALEABLE		349531610	NOT AVAILABLE	
KEY A, BLACK	34986-1996	A-BLK	GC-5	PLR	M							6				10	11	12		14	15		SALEABLE		3		

MX150 16 WAY HYBRID BLADE SEALED ASSEMBLY MAT SEAL (2.8mm CAVITIES OPEN)
BOM AND PIN OUT SHEET

ASSEMBLY DESCRIPTION	ASSEMBLY PART NUMBER	COMPONENT					BLOCKED TERMINALS																STATUS	COMMENTS	OPTIONAL ATTACHMENTS SOLD SEPARATELY					
		THE PRESENCE OF AN ABBREVIATION INDICATES THE PRESENCE OF THAT COMPONENT.					CAVITY WITH A NUMBER INDICATES BLOCKED TERMINAL POSITION CAVITY WITHOUT A NUMBER INDICATES OPEN TERMINAL POSITION																		BACKSHELL WITH RIBS	BACKSHELL WITHOUT RIBS				
		HOUSING KEY/COLOR	GROMMET CAP	PLR	MAT SEAL	SB QTY	1	2	3	4	5	6	7	8	9	10	11	12	13	14	15	16								
KEY A, BLACK	34986-2108	A-BLK	GC-5	PLR	M			2											12	13	14	15	SALEABLE		349531610	NOT AVAILABLE				
KEY A, BLACK	34986-2109	A-BLK	GC-5	PLR	M			2	3										12	13	14	15	SALEABLE		349531610	NOT AVAILABLE				
KEY F, LIGHT GRAY, WITH S.B.	34986-2110	F-LG	GC-5	PLR	M	2					SB	SB							SB	SB		15	SALEABLE	SEE NOTE 4	349531610	NOT AVAILABLE				
KEY A, BLACK	34986-2111	A-BLK	GC-5	PLR	M			2								10	11		13	14			SALEABLE		349531610	NOT AVAILABLE				
KEY A, BLACK	34986-2112	A-BLK	GC-5	PLR	M												11				14	15	SALEABLE		349531610	NOT AVAILABLE				
KEY A, BLACK	34986-2113	A-BLK	GC-5	PLR	M			2	3								11				14	15	SALEABLE		349531610	NOT AVAILABLE				
KEY A, BLACK	34986-2114	A-BLK	GC-5	PLR	M										10				13				SALEABLE		349531610	NOT AVAILABLE				
KEY A, BLACK	34986-2115	A-BLK	GC-5	PLR	M						3	4					11	12					SALEABLE		349531610	NOT AVAILABLE				
KEY A, BLACK	34986-2116	A-BLK	GC-5	PLR	M						3	4					11	12	13				SALEABLE		349531610	NOT AVAILABLE				
KEY A, BLACK	34986-2117	A-BLK	GC-5	PLR	M						3	4					11	12	13				SALEABLE		349531610	NOT AVAILABLE				
KEY A, BLACK	34986-2118	A-BLK	GC-5	PLR	M			2	3										13	14	15		SALEABLE		349531610	NOT AVAILABLE				
KEY A, BLACK	34986-2119	A-BLK	GC-5	PLR	M										10				13	14	15		SALEABLE		349531610	NOT AVAILABLE				
KEY A, BLACK	34986-2120	A-BLK	GC-5	PLR	M														13			15	SALEABLE		349531610	NOT AVAILABLE				
KEY A, BLACK	34986-2121	A-BLK	GC-5	PLR	M						3								13	14	15		SALEABLE		349531610	NOT AVAILABLE				
KEY A, BLACK	34986-2122	A-BLK	GC-5	PLR	M														11			14	SALEABLE		349531610	NOT AVAILABLE				
KEY A, BLACK	34986-2123	A-BLK	GC-5	PLR	M														11			14	SALEABLE		349531610	NOT AVAILABLE				
KEY A, BLACK	34986-2124	A-BLK	GC-5	PLR	M			2	3												14	15	SALEABLE		349531610	NOT AVAILABLE				
KEY A, BLACK	34986-2125	A-BLK	GC-5	PLR	M			2													14		SALEABLE		349531610	NOT AVAILABLE				
KEY A, BLACK	34986-2126	A-BLK	GC-5	PLR	M																	15	SALEABLE		349531610	NOT AVAILABLE				
KEY A, BLACK	34986-2127	A-BLK	GC-5	PLR	M						3										13	14	15	SALEABLE		349531610	NOT AVAILABLE			
KEY A, BLACK	34986-2128	A-BLK	GC-5	PLR	M																12	13	SALEABLE		349531610	NOT AVAILABLE				
KEY A, BLACK	34986-2129	A-BLK	GC-5	PLR	M			2	3												12	13	14	15	SALEABLE		349531610	NOT AVAILABLE		
KEY A, BLACK	34986-2130	A-BLK	GC-5	PLR	M			2													12	13	14	15	SALEABLE		349531610	NOT AVAILABLE		
KEY A, BLACK	34986-2131	A-BLK	GC-5	PLR	M			2													11	12			SALEABLE		349531610	NOT AVAILABLE		
KEY A, BLACK	34986-2132	A-BLK	GC-5	PLR	M			2	3												11	12			SALEABLE		349531610	NOT AVAILABLE		
KEY A, BLACK	34986-2133	A-BLK	GC-5	PLR	M			2													10	11	12	13	14	SALEABLE		349531610	NOT AVAILABLE	
KEY A, BLACK	34986-2134	A-BLK	GC-5	PLR	M			2	3												7				SALEABLE		349531610	NOT AVAILABLE		
KEY A, BLACK	34986-2135	A-BLK	GC-5	PLR	M			2	3												10	11	12	13	14	15	SALEABLE		349531610	NOT AVAILABLE
KEY A, BLACK	34986-2136	A-BLK	GC-5	PLR	M			2	3	4												14	15			SALEABLE		349531610	NOT AVAILABLE	
KEY A, BLACK	34986-2137	A-BLK	GC-5	PLR	M			2	3												10	11	12			SALEABLE		349531610	NOT AVAILABLE	
KEY A, BLACK	34986-2138	A-BLK	GC-5	PLR	M			2	3	4												13	14	15		SALEABLE		349531610	NOT AVAILABLE	
KEY A, BLACK	34986-2139	A-BLK	GC-5	PLR	M			2	3																	SALEABLE		349531610	NOT AVAILABLE	
KEY A, BLACK	34986-2140	A-BLK	GC-5	PLR	M			2	3																	SALEABLE		349531610	NOT AVAILABLE	
KEY A, BLACK	34986-2141	A-BLK	GC-5	PLR	M			2	3														14	15		SALEABLE		349531610	NOT AVAILABLE	
KEY A, BLACK	34986-2142	A-BLK	GC-5	PLR	M																		14			SALEABLE		349531610	NOT AVAILABLE	
KEY A, BLACK	34986-2143	A-BLK	GC-5	PLR	M																					SALEABLE		349531610	NOT AVAILABLE	
KEY A, BLACK	34986-2144	A-BLK	GC-5	PLR	M						3	4									10	11	12	13	15	SALEABLE		349531610	NOT AVAILABLE	
KEY A, BLACK	34986-2145	A-BLK	GC-5	PLR	M																					SALEABLE		349531610	NOT AVAILABLE	
KEY A, BLACK	34986-2146	A-BLK	GC-5	PLR	M																					SALEABLE		349531610	NOT AVAILABLE	
KEY A, BLACK	34986-2147	A-BLK	GC-5	PLR	M			2	3																	SALEABLE		349531610	NOT AVAILABLE	
KEY A, BLACK	34986-2148	A-BLK	GC-5	PLR	M			2																		SALEABLE		349531610	NOT AVAILABLE	
KEY A, BLACK	34986-2149	A-BLK	GC-5	PLR	M																					SALEABLE		349531610	NOT AVAILABLE	
KEY A, BLACK	34986-2150	A-BLK	GC-5	PLR	M																					SALEABLE		349531610	NOT AVAILABLE	
KEY A, BLACK	34986-2151	A-BLK	GC-5	PLR	M																					SALEABLE		349531610	NOT AVAILABLE	
KEY A, BLACK	34986-2152	A-BLK	GC-5	PLR	M																					SALEABLE		349531610	NOT AVAILABLE	
KEY A, BLACK	34986-2153	A-BLK	GC-5	PLR	M			2	3	4																SALEABLE		349531610	NOT AVAILABLE	
KEY A, BLACK	34986-2154	A-BLK	GC-5	PLR	M																					SALEABLE		349531610	NOT AVAILABLE	
KEY A, BLACK	34986-2155	A-BLK	GC-5	PLR	M			2	3	4																SALEABLE		349531610	NOT AVAILABLE	
KEY A, BLACK	34986-2156	A-BLK	GC-5	PLR	M																					SALEABLE		349531610	NOT AVAILABLE	
KEY A, BLACK	34986-2157	A-BLK	GC-5	PLR	M																					SALEABLE		349531610	NOT AVAILABLE	
KEY A, YELLOW	34986-2158	A-YW	GC-5	PLR	M																					SALEABLE		349531610	NOT AVAILABLE	
KEY A, BLACK	34986-2159	A-BLK	GC-5	PLR	M																					SALEABLE		349531610	NOT AVAILABLE	
KEY A, BLACK	34986-2160	A-BLK	GC-5	PLR	M			2																		SALEABLE		349531610	NOT AVAILABLE	
KEY A, BLACK	34986-2161	A-BLK	GC-5	PLR	M			2																		SALEABLE		349531610	NOT AVAILABLE	
KEY A, BLACK	34986-2162	A-BLK	GC-5	PLR	M																					SALEABLE		349531610	NOT AVAILABLE	
KEY A, BLACK	34986-2163	A-BLK	GC-5	PLR	M																					SALEABLE		349531610	NOT AVAILABLE	
KEY A, BLACK	34986-2164	A-BLK	GC-5	PLR	M																					SALEABLE		349531610	NOT AVAILABLE	
KEY B, LIGHT GRAY	34986-2165	B-LG	GC-5	PLR	M																					SALEABLE		349531610	NOT AVAILABLE	
KEY A, BLACK	34986-2166	A-BLK	GC-5	PLR	M			2																		SALEABLE		349531610	NOT AVAILABLE	
KEY A, BLACK	34986-2167	A-BLK	GC-5	PLR	M			2																		SALEABLE		349531610	NOT AVAILABLE	
KEY A, BLACK	34986-2168	A-BLK	GC-5	PLR	M			2																		SALEABLE		349531610	NOT AVAILABLE	
KEY A, BLACK	34986-2169	A-BLK	GC-5	PLR	M																					SALEABLE		349531610	NOT AVAILABLE	
KEY A, BLACK	34986-2170	A-BLK	GC-5	PLR	M																					SALEABLE		349531610	NOT AVAILABLE	
KEY A, BLACK	34986-2171	A-BLK	GC-5	PLR	M																					SALEABLE		349531610	NOT AVAILABLE	
KEY A, BLACK	34986-2172	A-BLK	GC-5	PLR	M																					SALEABLE		349531610	NOT AVAILABLE	
KEY A, BLACK	34986-2173	A-BLK	GC-5	PLR	M																					SALEABLE		349531610	NOT AVAILABLE	
KEY A, BLACK	34986-2174	A-BLK	GC-5	PLR	M																					SALEABLE		349531610	NOT AVAILABLE	
KEY A, BLACK	34986-2175	A-BLK	GC-5	PLR	M																					SALEABLE		349531610	NOT AVAILABLE	
KEY F, LIGHT GRAY	34986-2176	F-LG	GC-5	PLR	M																					SALEABLE		349531610	NOT AVAILABLE	
KEY F, LIGHT GRAY	34986-217																													

**MX150 16 WAY HYBRID BLADE SEALED ASSEMBLY MAT SEAL (2.8mm CAVITIES OPEN)
BOM AND PIN OUT SHEET**

ASSEMBLY DESCRIPTION	ASSEMBLY PART NUMBER	COMPONENT					BLOCKED TERMINALS																STATUS	COMMENTS	OPTIONAL ATTACHMENTS SOLD SEPERATELY	
		THE PRESENCE OF AN ABBREVIATION INDICATES THE PRESENCE OF THAT COMPONENT.					CAVITY WITH A NUMBER INDICATES BLOCKED TERMINAL POSITION CAVITY WITHOUT A NUMBER INDICATES OPEN TERMINAL POSITION																		BACKSHELL WITH RIBS	BACKSHELL WITHOUT RIBS
		HOUSING KEY/COLOR	GROMMET CAP	PLR	MAT SEAL	SB QTY	1	2	3	4	5	6	7	8	9	10	11	12	13	14	15	16				
KEY B, LIGHT GRAY	34986-2288	B-LG	GC-S	PLR	M													12		14			SALEABLE		349531610	NOT AVAILABLE
KEY A, BLACK	34986-2289	A-BLK	GC-S	PLR	M				4	5	6												SALEABLE		349531610	NOT AVAILABLE
KEY B, LIGHT GRAY	34986-2290	B-LG	GC-S	PLR	M													11					SALEABLE		349531610	NOT AVAILABLE
KEY B, LIGHT GRAY	34986-2291	B-LG	GC-S	PLR	M		2	3	4	5		7								14	15		SALEABLE		349531610	NOT AVAILABLE
KEY A, BLACK	34986-2292	A-BLK	GC-S	PLR	M		2			5		7			10	11	12		13		15		SALEABLE		349531610	NOT AVAILABLE
KEY A, BLACK	34986-2293	A-BLK	GC-S	PLR	M		2			5		7			10	11	12				15		SALEABLE		349531610	NOT AVAILABLE
KEY A, BLACK	34986-2294	A-BLK	GC-S	PLR	M		2	3	4						10	11	12			14	15		SALEABLE		349531610	NOT AVAILABLE
KEY A, BLACK	34986-2295	A-BLK	GC-S	PLR	M				4						10	11	12		13				SALEABLE		349531610	NOT AVAILABLE
KEY A, BLACK	34986-2296	A-BLK	GC-S	PLR	M				4							11	12		13		15		SALEABLE		349531610	NOT AVAILABLE
KEY A, BLACK	34986-2297	A-BLK	GC-S	PLR	M		2	3			6	7			10	11				14	15		SALEABLE		349531610	NOT AVAILABLE
KEY A, BLACK	34986-2298	A-BLK	GC-S	PLR	M		2			5		7			10	11			13		15		SALEABLE		349531610	NOT AVAILABLE
KEY A, BLACK	34986-2299	A-BLK	GC-S	PLR	M				4	5	6				10	11	12			14	15		SALEABLE		349531610	NOT AVAILABLE