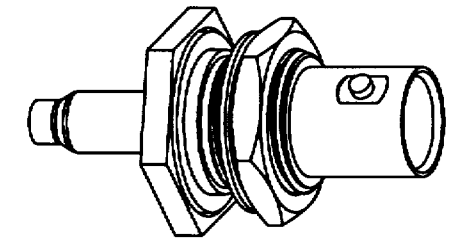


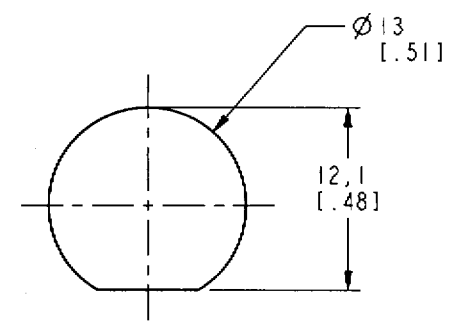
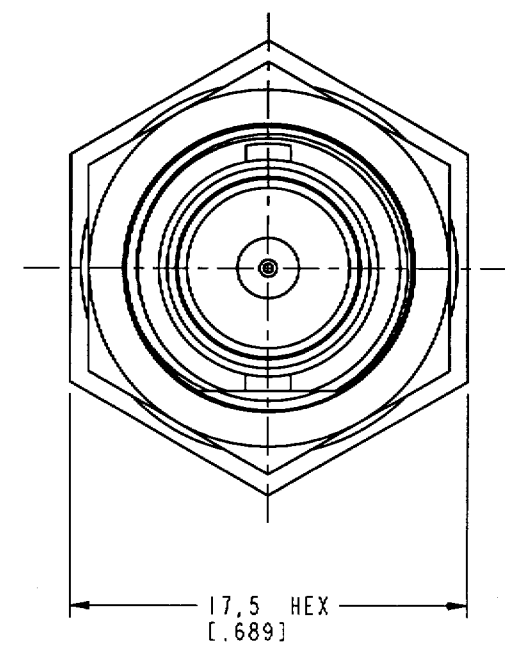
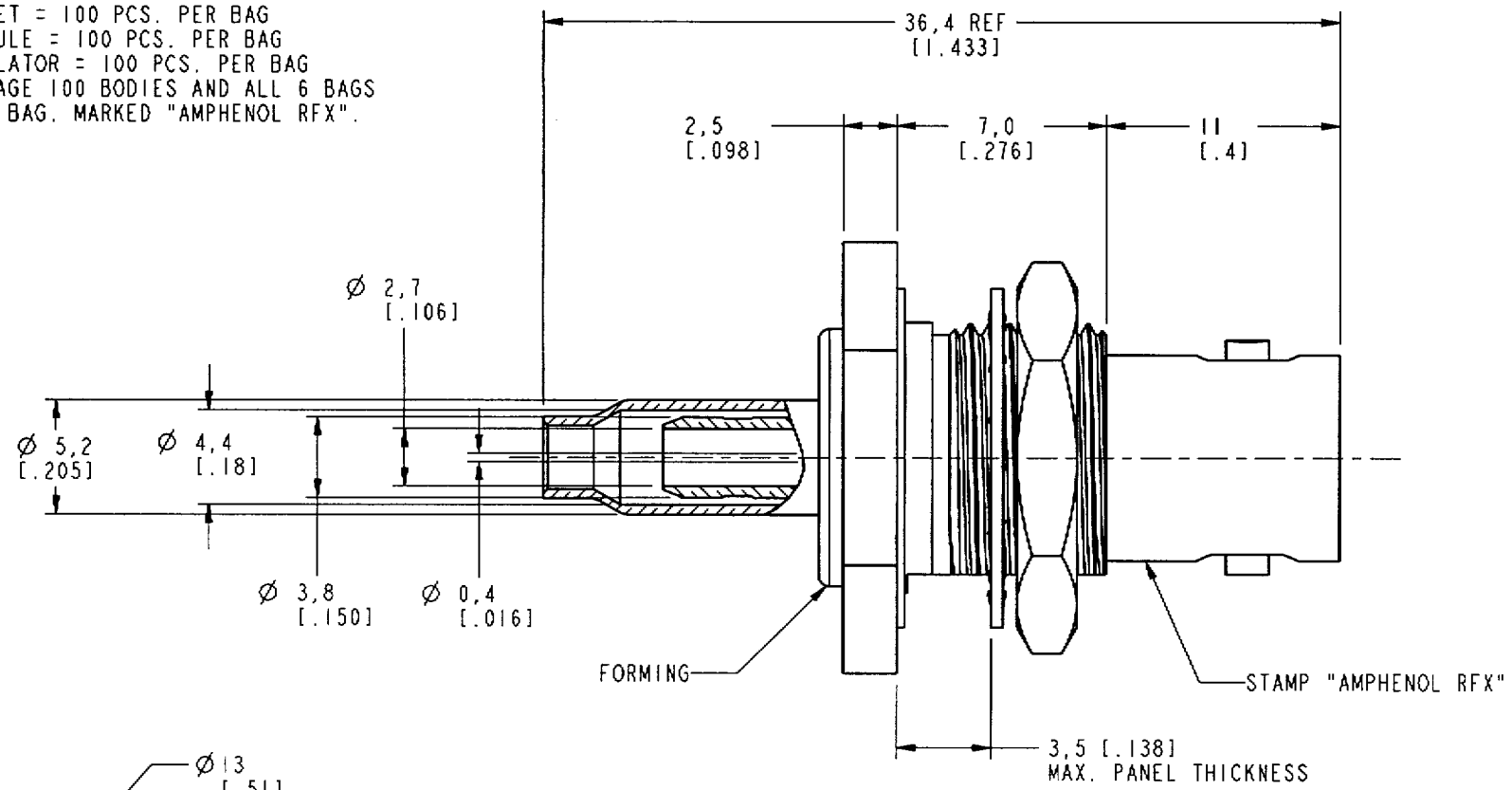
NOTES

- MATERIALS OF CONSTRUCTION:
 HOUSING, BODY, BARREL, HEX NUT & FERRULE = BRASS (QQ-B-626), NICKEL PLATED
 CONTACT PIN = PHOSPHOR BRONZE, GOLD PLATED
 LOCKWASHER = BRASS (QQ-B-613), NICKEL PLATED
 INSULATORS (2) = DELRIN
 GASKET = SILICONE RUBBER, COLOR RED
- CRIMPED FERRULE = HEX CRIMP SIZE .178
 HEX CRIMP SIZE FOR CENTER CONTACT .068
- BULKPACK AS FOLLOWS:
 CONTACT PIN = 100 PCS. PER BAG
 HEX NUTS = 100 PCS. PER BAG
 LOCKWASHER = 100 PCS. PER BAG
 GASKET = 100 PCS. PER BAG
 FERRULE = 100 PCS. PER BAG
 INSULATOR = 100 PCS. PER BAG
 PACKAGE 100 BODIES AND ALL 6 BAGS
 IN 1 BAG, MARKED "AMPHENOL RFX".

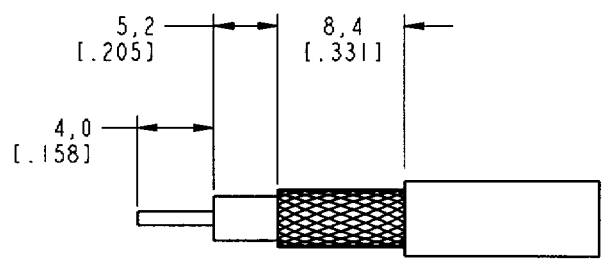
31-71016-RFXB		REVISIONS			
DRAWING NO.	REV	DESCRIPTION	DATE	ECO	APPR
THIRD ANGLE PROJ.	A	RELEASE TO MFG.	1-4-01	43627	CPM



SCALE 1.500



RECOMMENDED MOUNTING HOLE DIMENSIONS
SCALE 2.000



RECOMMENDED CABLE STRIPPING DIMENSIONS
SCALE 2.000

CUSTOMER OUTLINE DRAWING
FOR REFERENCE ONLY

UNLESS OTHERWISE SPECIFIED, DIMENSIONS ARE IN INCHES AND TOLERANCES ARE: 0.5 - 6mm ±0.2mm 6 - 30mm ±0.4mm 30 - 120mm ±0.6mm	MATERIAL	DRAWN C. McGRATH	DATE 11-Dec-00	TITLE BNC BULKHEAD CRIMP JACK BULKPACK 100 PCS.	Amphenol Amphenol Corporation Communication and Network Products Division Danbury, CT U.S.A. 06810	
	REFERENCE EAR 967677-1	ENGINEER O. BARTHELMES	DATE 11-Dec-00	APPROVED DATE 12/29/00		
NOTICE - These drawings, specifications, or other data (1) are, and remain the property of Amphenol Corp. (2) must be returned upon request; and (3) are confidential and not to be disclosed to any person other than those to whom they are given by Amphenol Corp. The furnishing of these drawings, specifications, or other data by Amphenol Corp., or to any other person to anyone for any purpose is not to be regarded by implication or otherwise in any manner licensing, granting rights or permitting such holder or any other person to manufacture, use or sell any product, process or design, patented or otherwise, that may in any way be related to or disclosed by said drawings, specifications, or other data.		CAD FILE I:\BNC\31-71016-RFXB	CODE ID 74868	DWG SIZE B	DRAWING NO. 31-71016-RFXB	REV A
				SCALE: 3.0:1	SHEET 2 OF 2	