

# RH-M4 | Double-curved handles

Aluminium

METRIC



## MATERIAL

Anodised aluminium round cross section bar, ground and sandblasted surface, satin finish.

## STANDARD EXECUTION

Threaded blind holes.

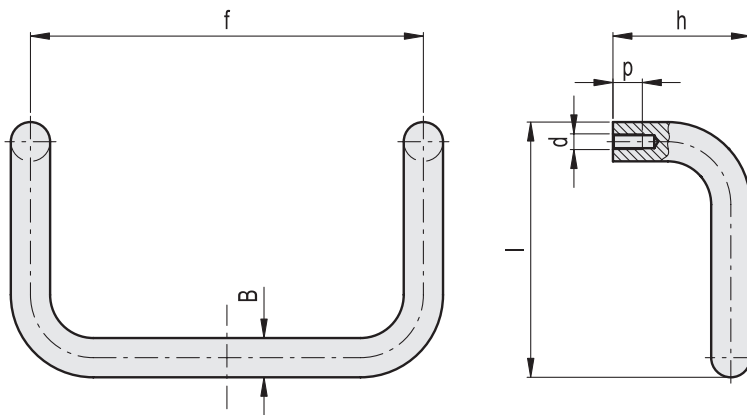
- **RHM4-11**: natural colour.
- **RHM4-14**: black colour.

## SPECIAL EXECUTIONS ON REQUEST

- With end supports.
- Different lengths.

## OTHER STANDARD EXECUTIONS AVAILABLE

Version RH-M4-CLEAN (see page 554).



Conversion Table	
1 mm = 0.039 inch	
mm	inch
200	7.87
350	13.78
500	19.68

## RHM4-11

METRIC

Code	f	d	p	B	h	l	⚖
RHM4-20.200.11	200	M8	15	20	70	130	390
RHM4-20.350.11	350	M8	15	20	70	130	518
RHM4-30.350.11	350	M10	15	30	100	175	1360
RHM4-30.500.11	500	M10	15	30	100	175	1595

## RHM4-14

Code	f	d	p	B	h	l	⚖
RHM4-20.200.14	200	M8	15	20	70	130	390
RHM4-20.350.14	350	M8	15	20	70	130	518
RHM4-30.350.14	350	M10	15	30	100	175	1360
RHM4-30.500.14	500	M10	15	30	100	175	1595



Lift & Pull handles